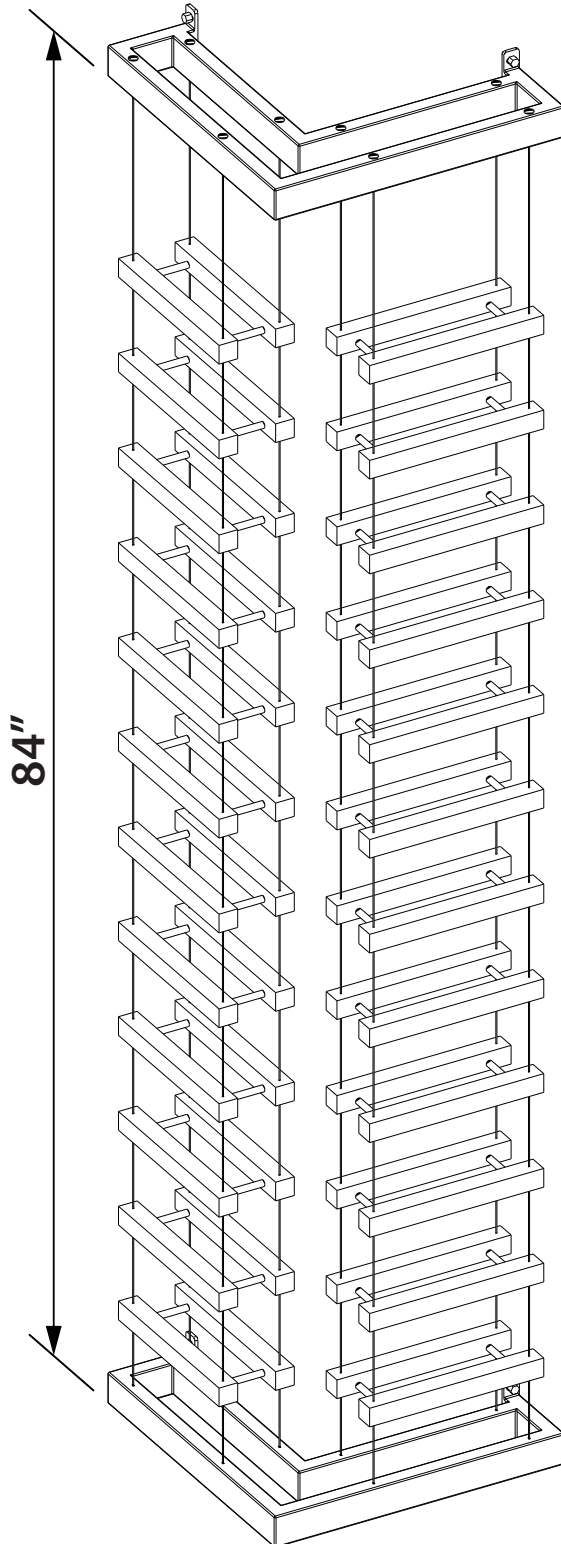


BUOYANT INSTALLATION GUIDE WMC24

DOUBLE COLUMN WALL MOUNT WITH
BOTTOM AND TOP WALL MOUNT FOR
EXTERNAL CORNER 24 BOTTLES



BUOYANT
CABLE WINE STORAGE CONCEPT

www.buoyantwinestorage.com

TOOLS FOR INSTALLATION



SCREWDRIVER



HEX KEY: 1.5MM (0.059")
HEX KEY: 2.5MM (0.098")

ALLEN KEYS



ELECTRIC DRILL



CUTTER



LEVEL

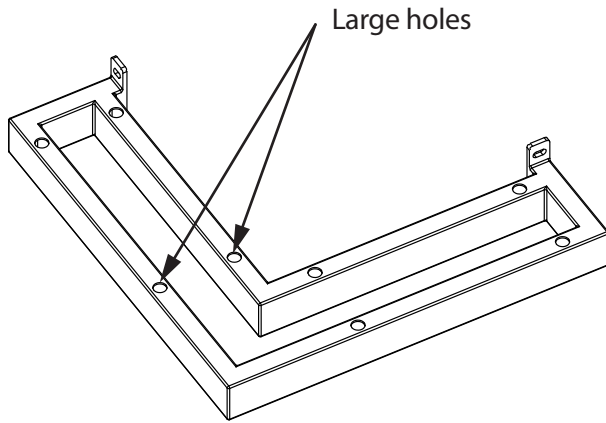
SAFETY INFORMATION

1. All parts should be installed according to the instructions provided in this installation guide. Failure to follow these instructions may result in deformities and /or loose cables and connectors. If such issues occur remove all bottles immediately until any issues found have been properly corrected. Pass this installation guide unto any new buyer of this product if resold to any party.
2. Buoyant products should only be installed and rearranged by qualified professionals after reading and fully understanding these instructions wholly. **DO NOT TRY TO INSTALL THE BUOYANT CABLE WINE SYSTEM YOURSELF!** A qualified professional should always be involved in jobsite inspection, product selection, assembly and installation of Buoyant Cable Wine Systems products.
3. Local codes regarding building, fire, sanitation and seismic requirements should may apply to some installations of the Buoyant Cable Wine System. The owner or purchaser of the system is responsible for checking with local building authorities and ensure that installation is in compliance with such codes and requirements if any exist.
4. Products from other manufactures must not be combined Buoyant Cable Wine System with any products.
5. If any Buoyant Cable Wine System parts are damaged or in anyway compromised contact a Buoyant Cable Wine System sales representative. **NEVER USE ANY DAMAGED OR COMPROMISED PARTS!**
6. The Buoyant Cable Wine System is designed to support the weight and shape of standard wine bottles. Use caution when storing other than standard wine bottles.
7. The design of Buoyant Cable Wine System only supports the weight of standard wine bottles (750ml). Do not exceed the maximum load of the Buoyant Cable Wine System as this may compromise the integrity of the Cable Wine System.
8. Never let any parts or bottles protrude into an aisle or doorways as this may cause accidental contact with the Buoyant Cable Wine System.
9. Always provide safe access to all levels of the Buoyant Cable Wine System in compliance with any building or fire code that may apply locally.
10. Never let anyone stand, walk, climb, lean or pull on the Buoyant Cable Wine System.
11. Never let anyone change, alter or modify the Buoyant Cable Wine System or any of its parts as this may cause the Buoyant Cable Wine System and/or its parts to be unsafe.
12. Always keep the wooden rods in a dry environment as humidity and moist can cause the wood to expand and change the dimensions of the drilled holes in the rods. Also, when staining the wooden rods it is important to avoid getting stain inside the holes as this could cause the hole dimensions to change Buoyant Cable Wine System. Any work done unto the wooden rods to repair such dimensional changes may effect the integrity of the system.

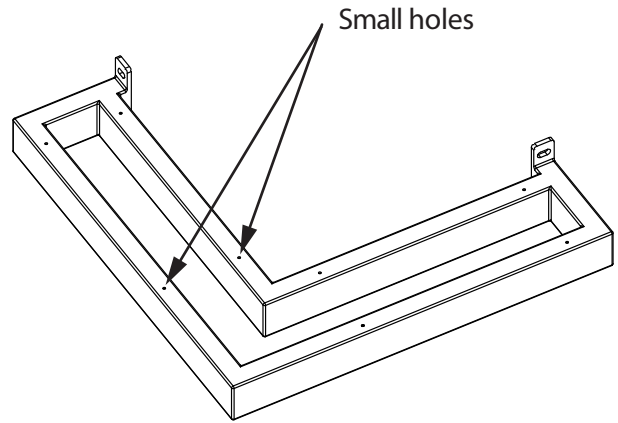


WALL MOUNT BRACKETS

PLEASE NOTE: when assembling top wall mount the large holes point toward the ceiling. When assembling bottom wall mount the small holes point toward the ceiling.

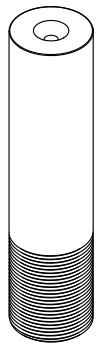


TOP CORNER MOUNT

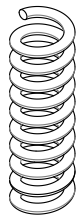


BOTTOM CORNER MOUNT

FLOOR MOUNT FIXTURE



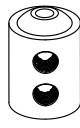
FM2



FM3



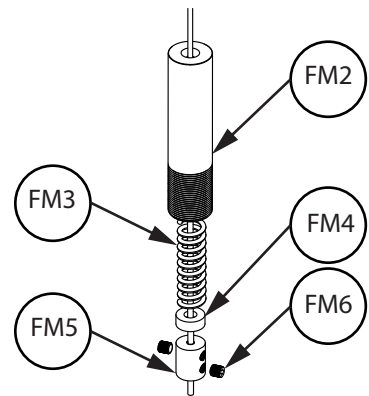
FM4



FM5



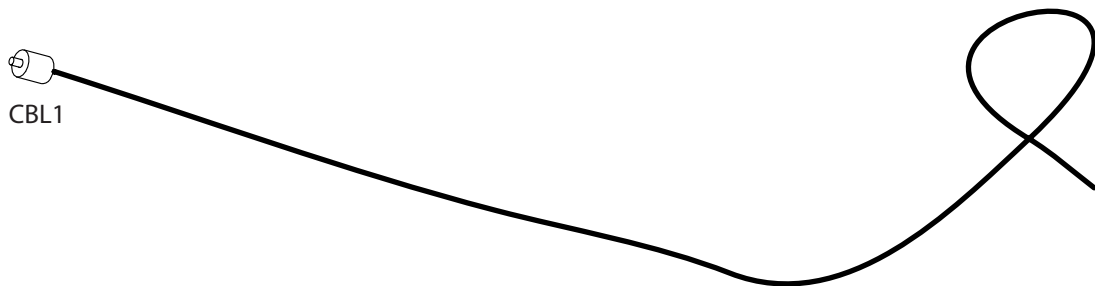
FM6



TENSION CABLE

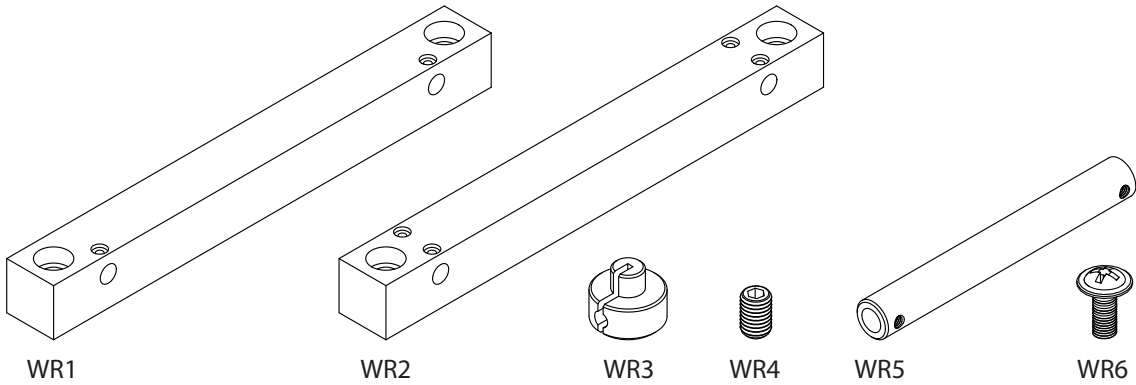


CBL1

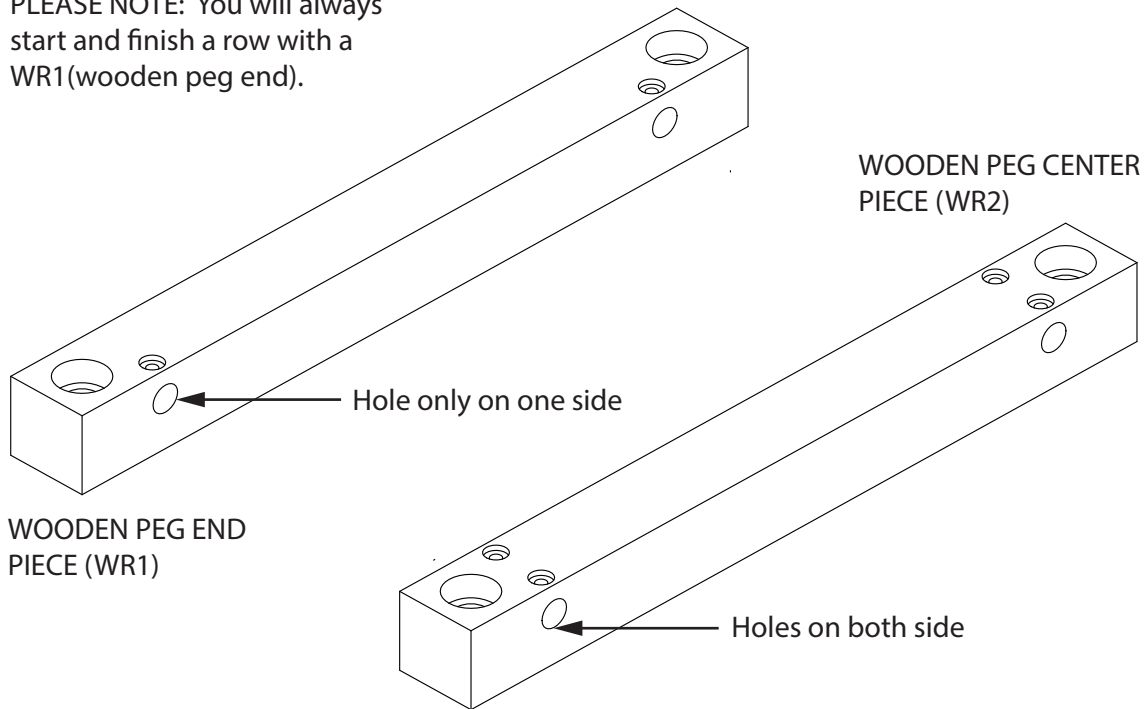


* Wall mount and anchoring screws, bolts and washers are not supplied.

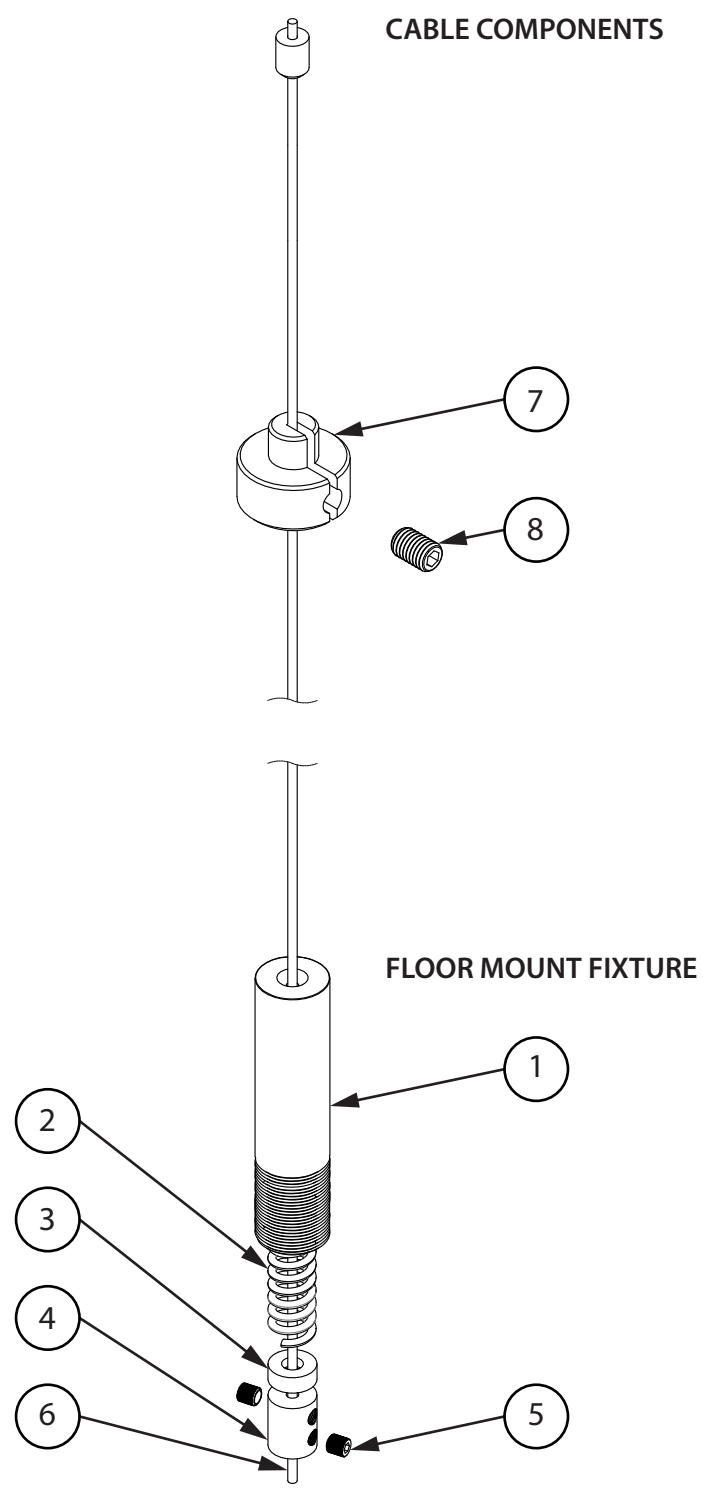
WOODEN FIXTURES AND COMPONENTS



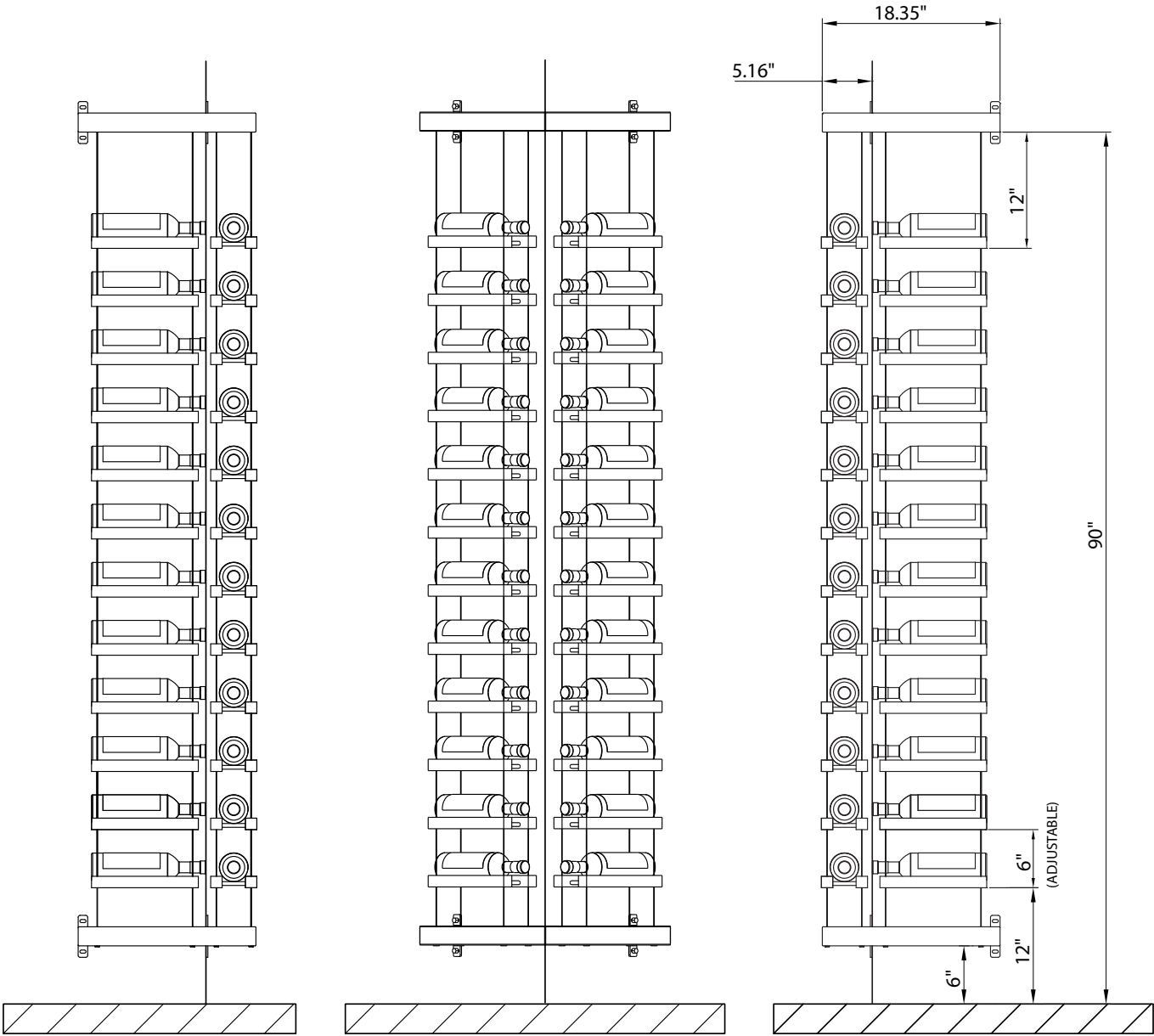
PLEASE NOTE: You will always start and finish a row with a WR1(wooden peg end).



WOODEN PEG SUPPORT FIXTURE STEPS



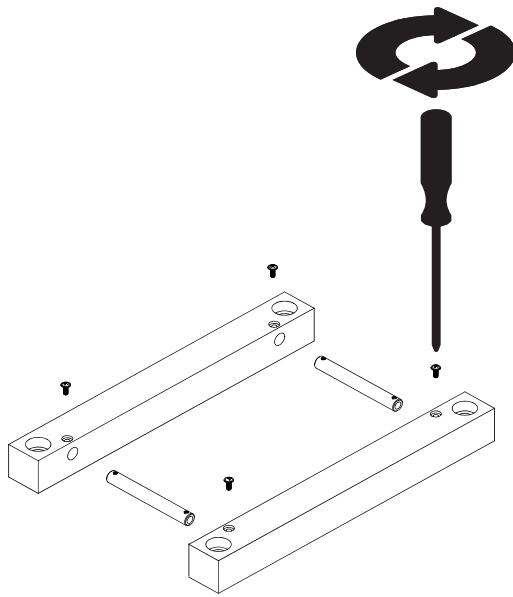
PRODUCT DIMENSIONS



The total load of the WMC24 model series after assembled and wholly loaded with wine bottles is approximately 146.50lbs.

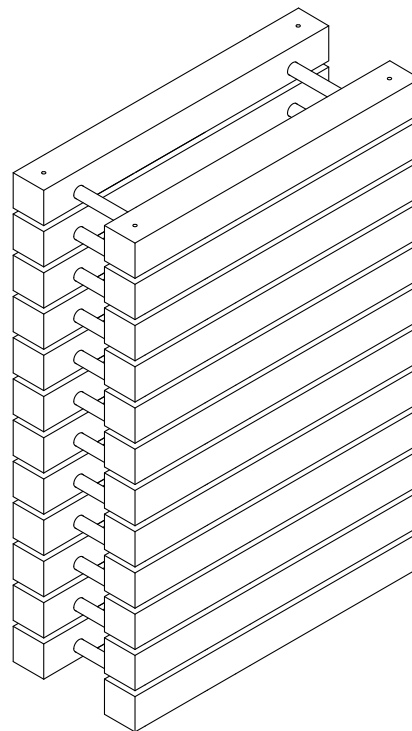
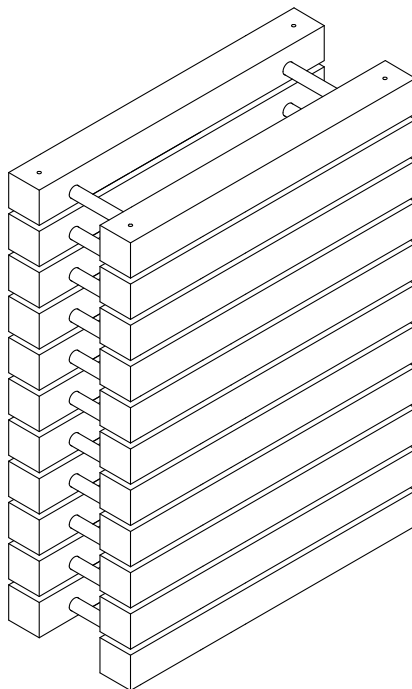
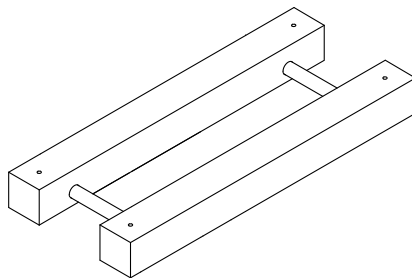
1

ASSEMBLE SHELVES



Assemble 1 bottle shelves by inserting WR5 tubes into wooden pegs and use WR6 screws to hold tubes in position as shown below.

After assembly you should have a total of 24 sets of 1 bottle shelves.

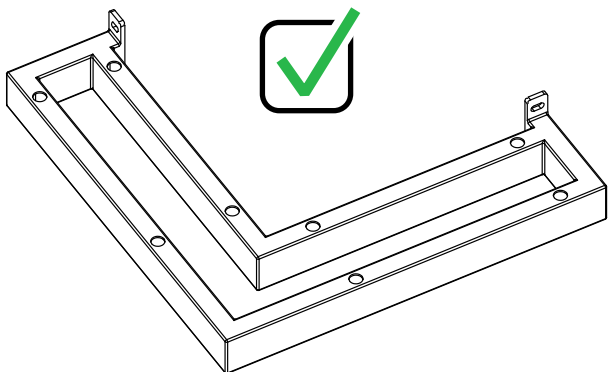
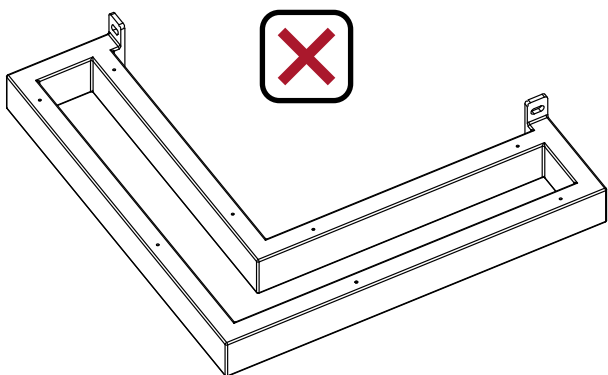


2

FLIP THE WALL MOUNT

Flip the wall mount so that the large holes point toward the ceiling, and small holes point downward.

PLEASE NOTE: THIS POSITION OF THE WALL MOUNT ONLY APPLIES WHEN INSTALLED AS A TOP WALL MOUNT.

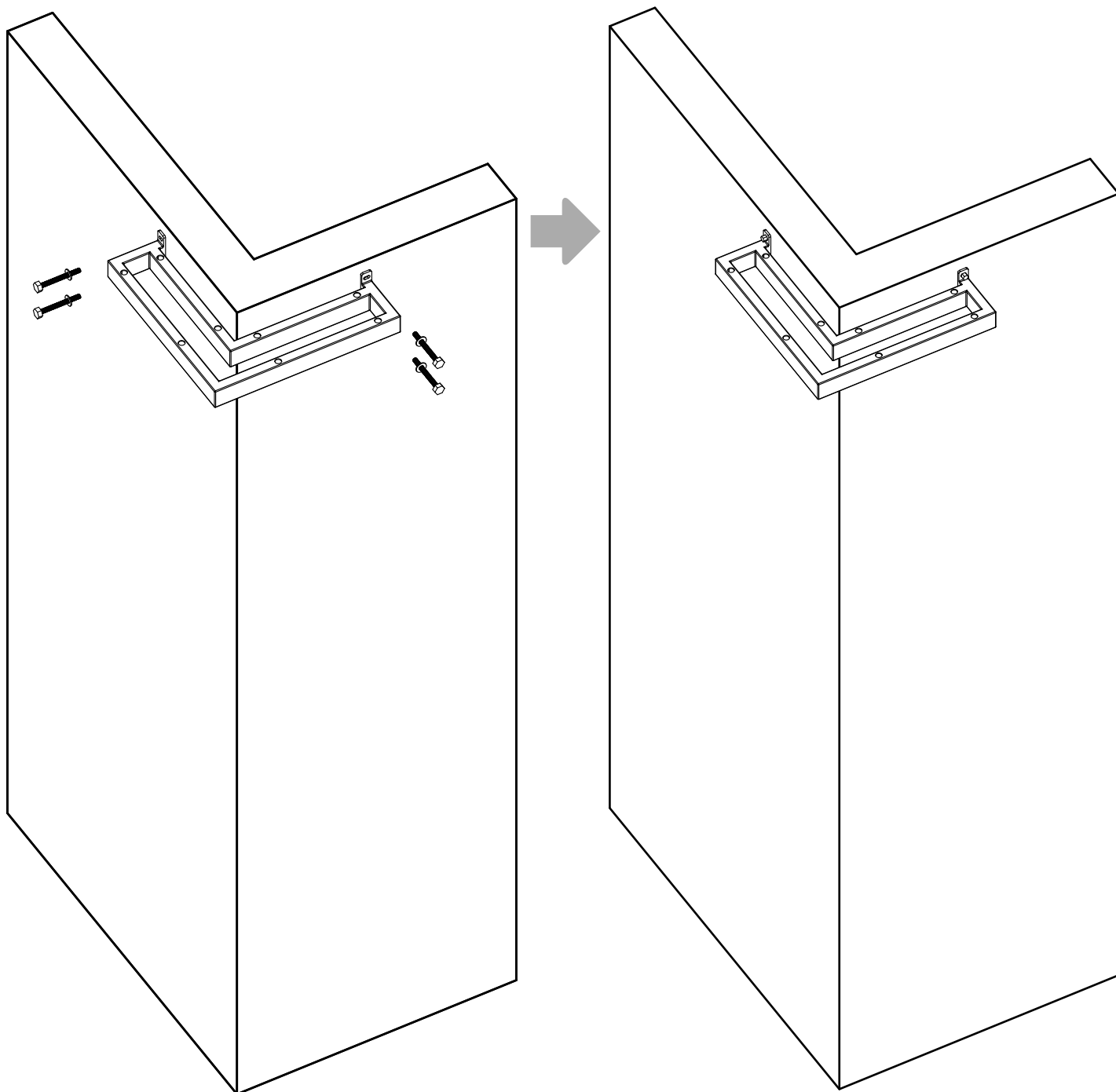


3

SECURE TOP BRACKET TO THE WALL

Use the appropriate screws, bolts and washers (4 sets) to secure top bracket to wall and ensure that the wall has been properly reinforced to carry this load.

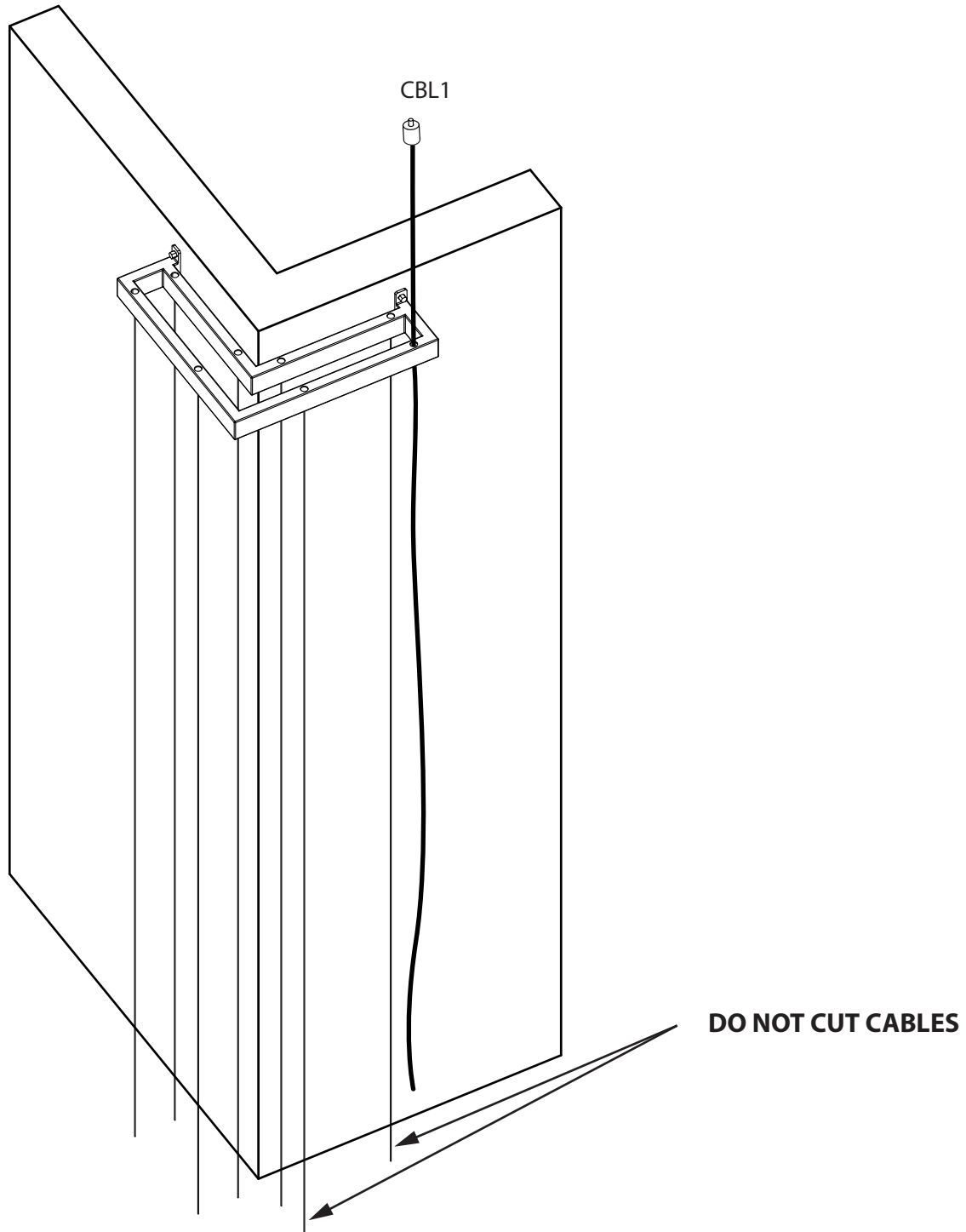
PLEASE NOTE: when assembling top wall mount the large holes point toward the ceiling.



4

INSERT CABLES ON TOP OF BRACKET

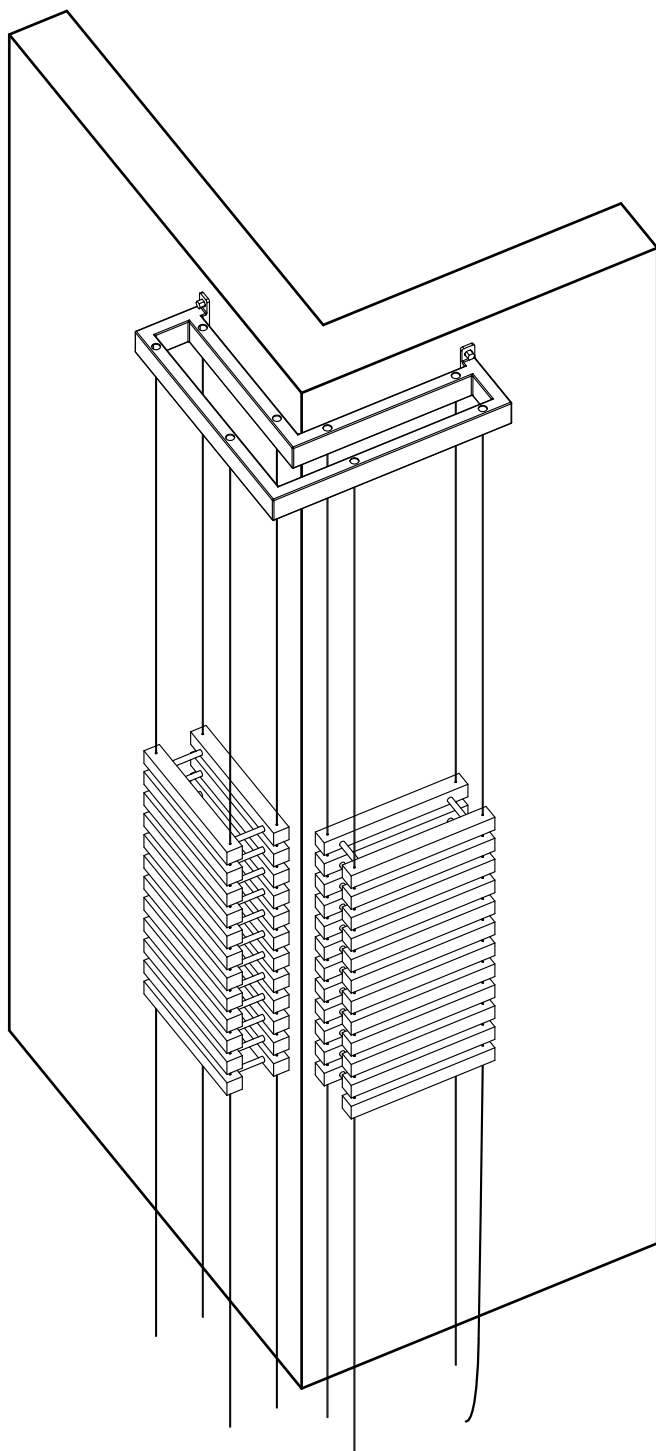
Insert all 8 crimped cables through the large holes on top of the wall mount bracket and pull them through the small holes on the bottom .



5

SLIDE SHELVES ONTO CABLES

Slide all shelves onto cables, by running cables through the small holes on the top of the wooden pegs. The large drilled holes on the pegs should point downwards.

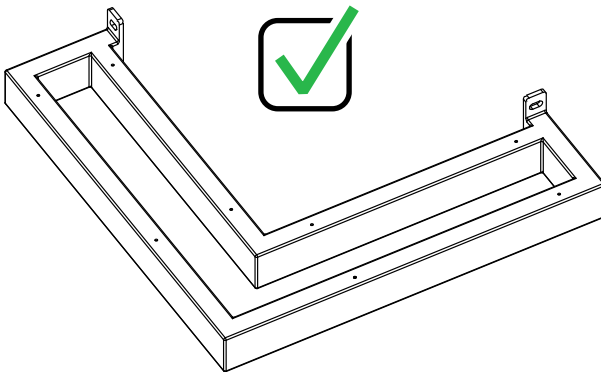
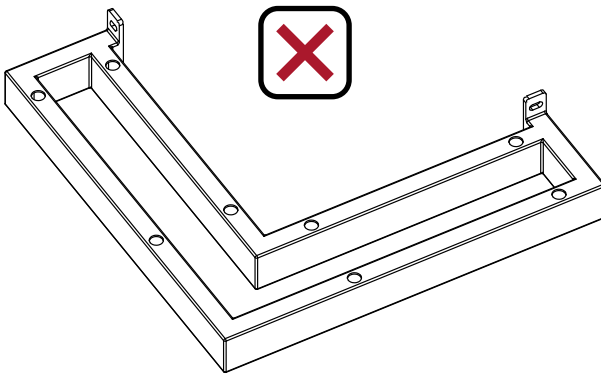


6

FLIP THE WALL MOUNT

Flip the wall mount so that the small holes point toward the ceiling, and large holes point downward.

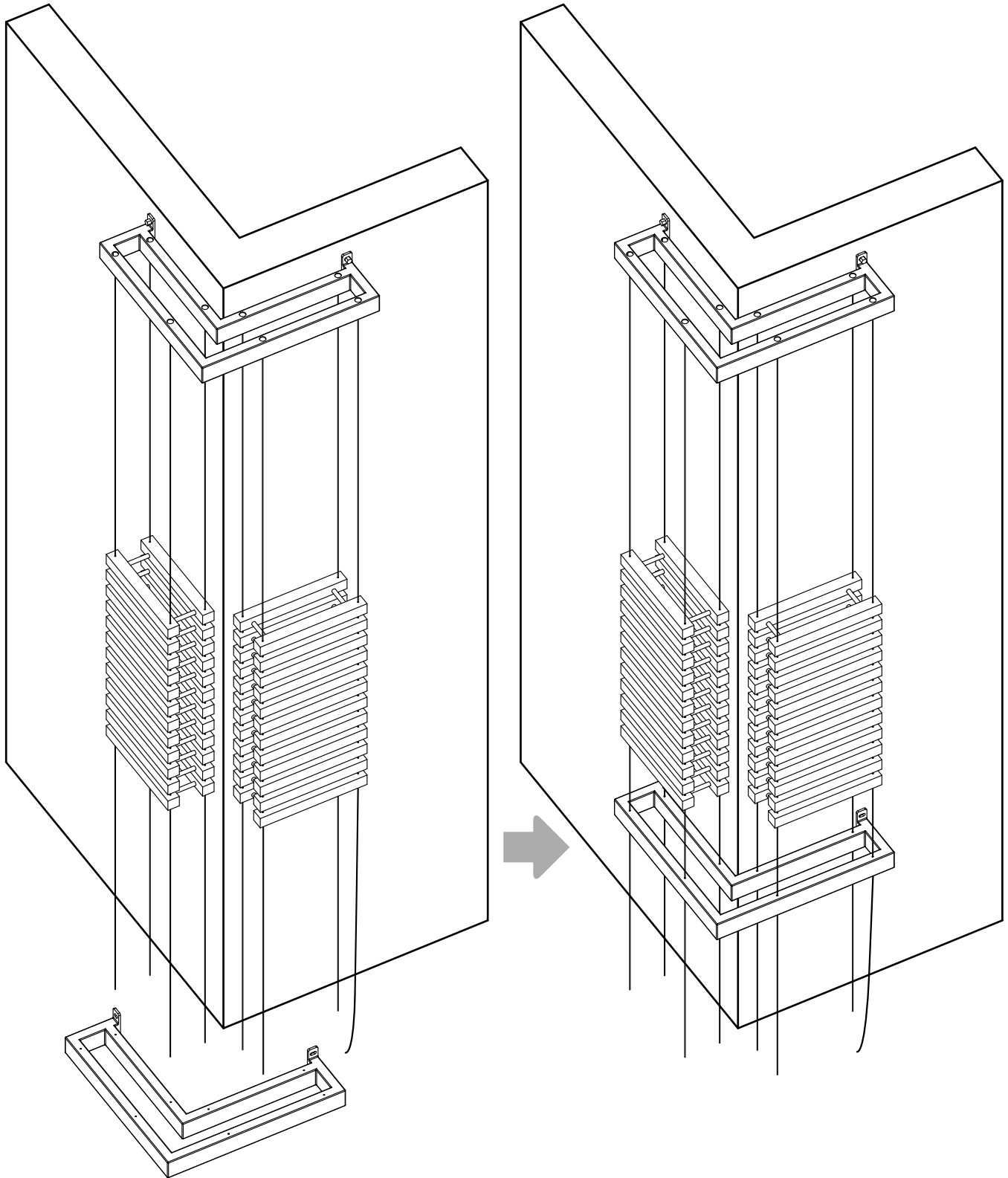
PLEASE NOTE: THIS POSITION OF THE WALL MOUNT ONLY APPLIES WHEN INSTALLED AS A BOTTOM WALL MOUNT.



7

INSERT CABLES INTO BOTTOM BRACKET

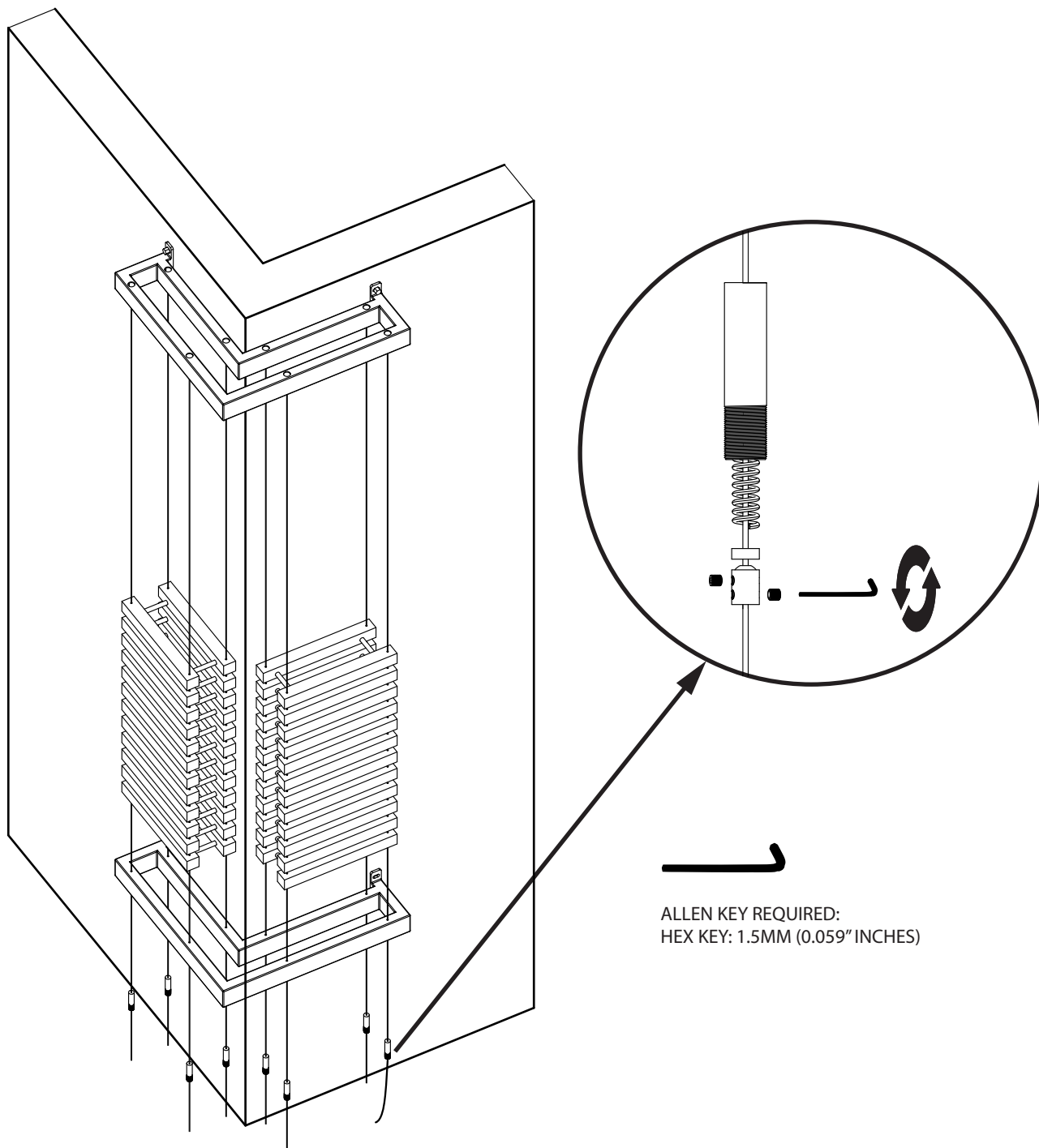
Insert all 8 crimped cables through the small holes on top of the bottom wall mount bracket and pull them through the large holes on the bottom.



8

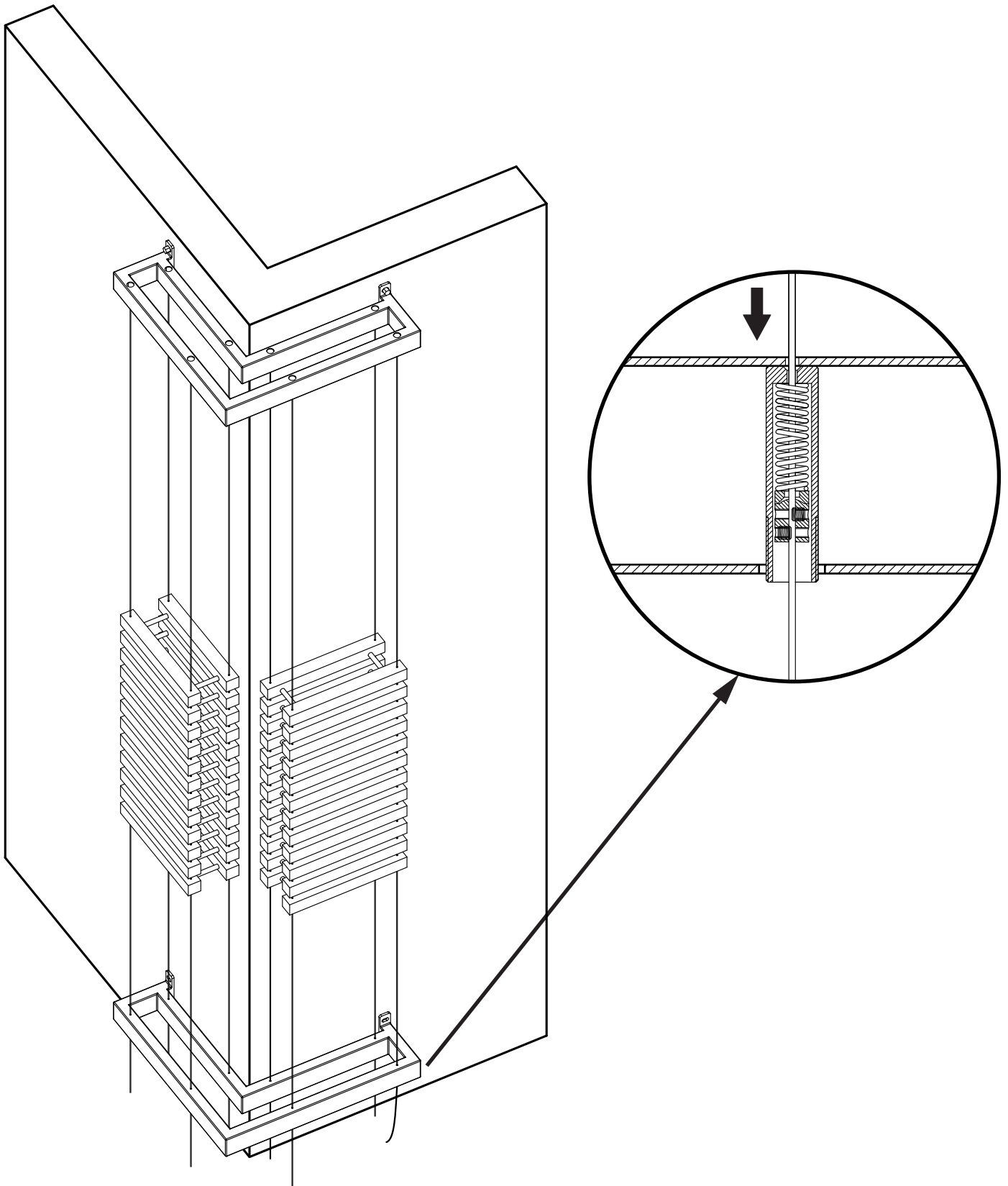
ASSEMBLE BOTTOM ANCHORS

Mount the male piece of the anchor(FM2) on the cables along with the spring(FM3) and FM4. Clamp FM5 unto cables using 2 hex screws (FM6) so that they are all at the desired height and all level.



ALLEN KEY REQUIRED:
HEX KEY: 1.5MM (0.059" INCHES)

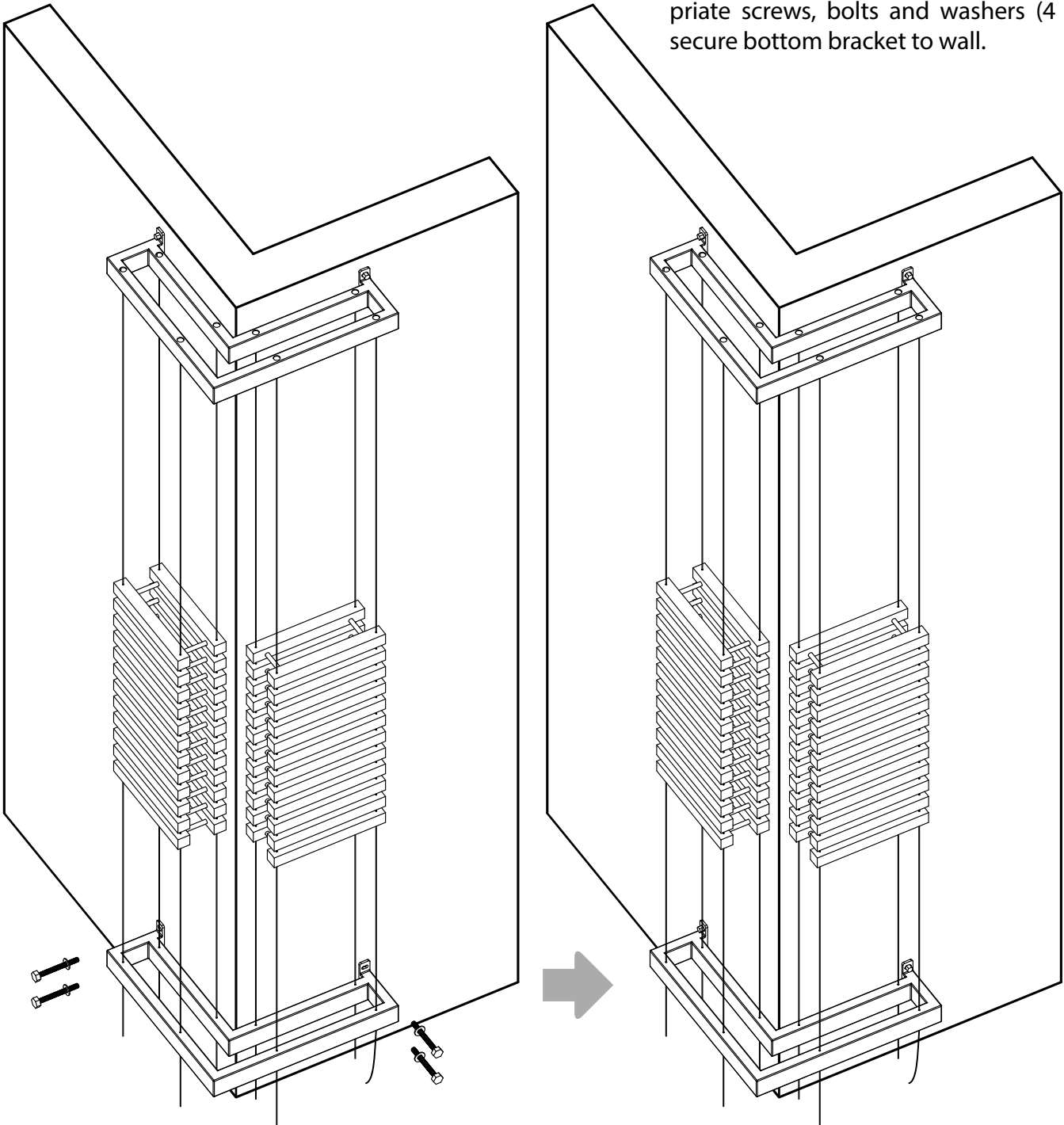
Slide the anchor assembly inside the large holes of the bottom wall mount.



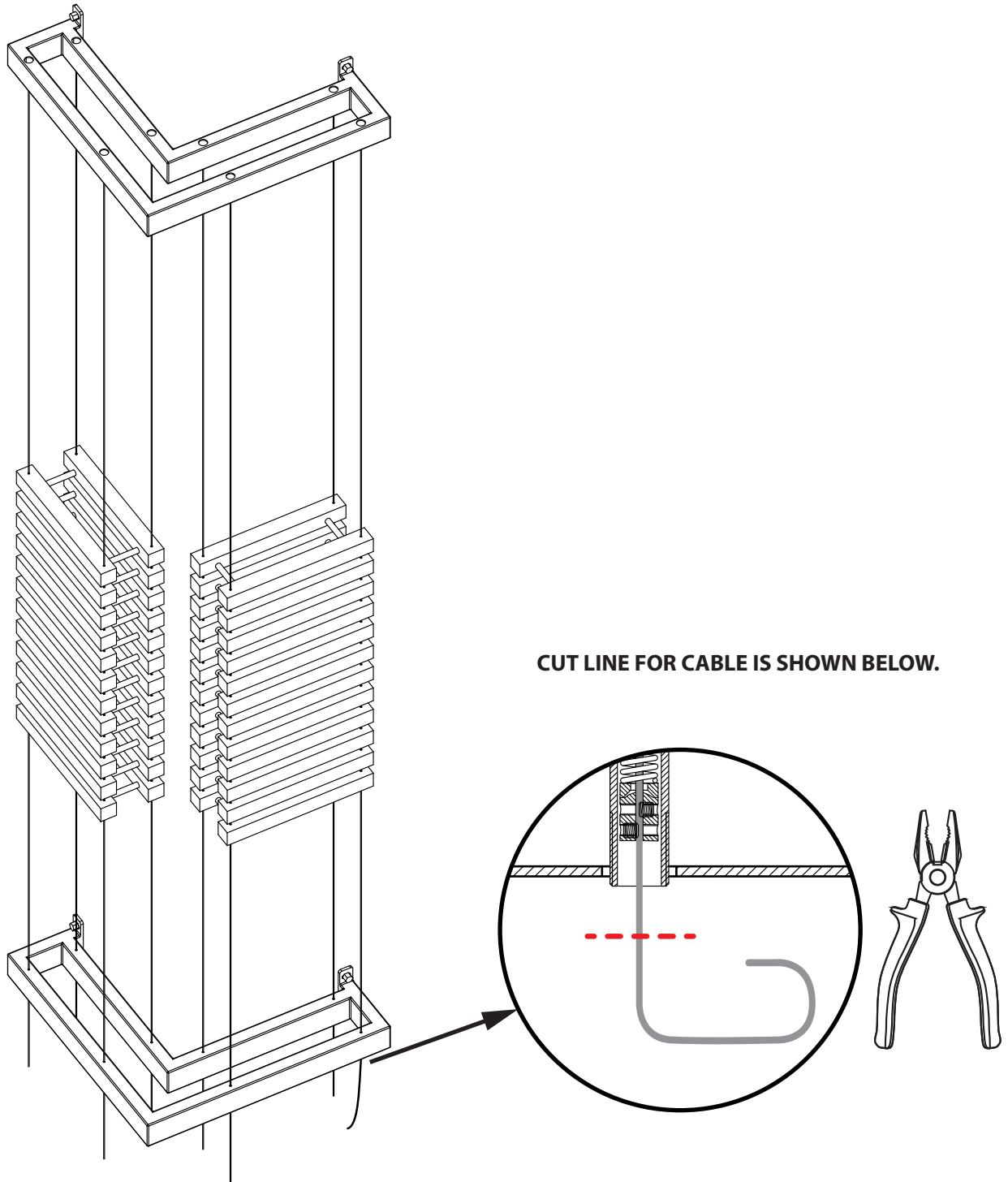
10

SECURE BOTTOM BRACKET TO THE WALL

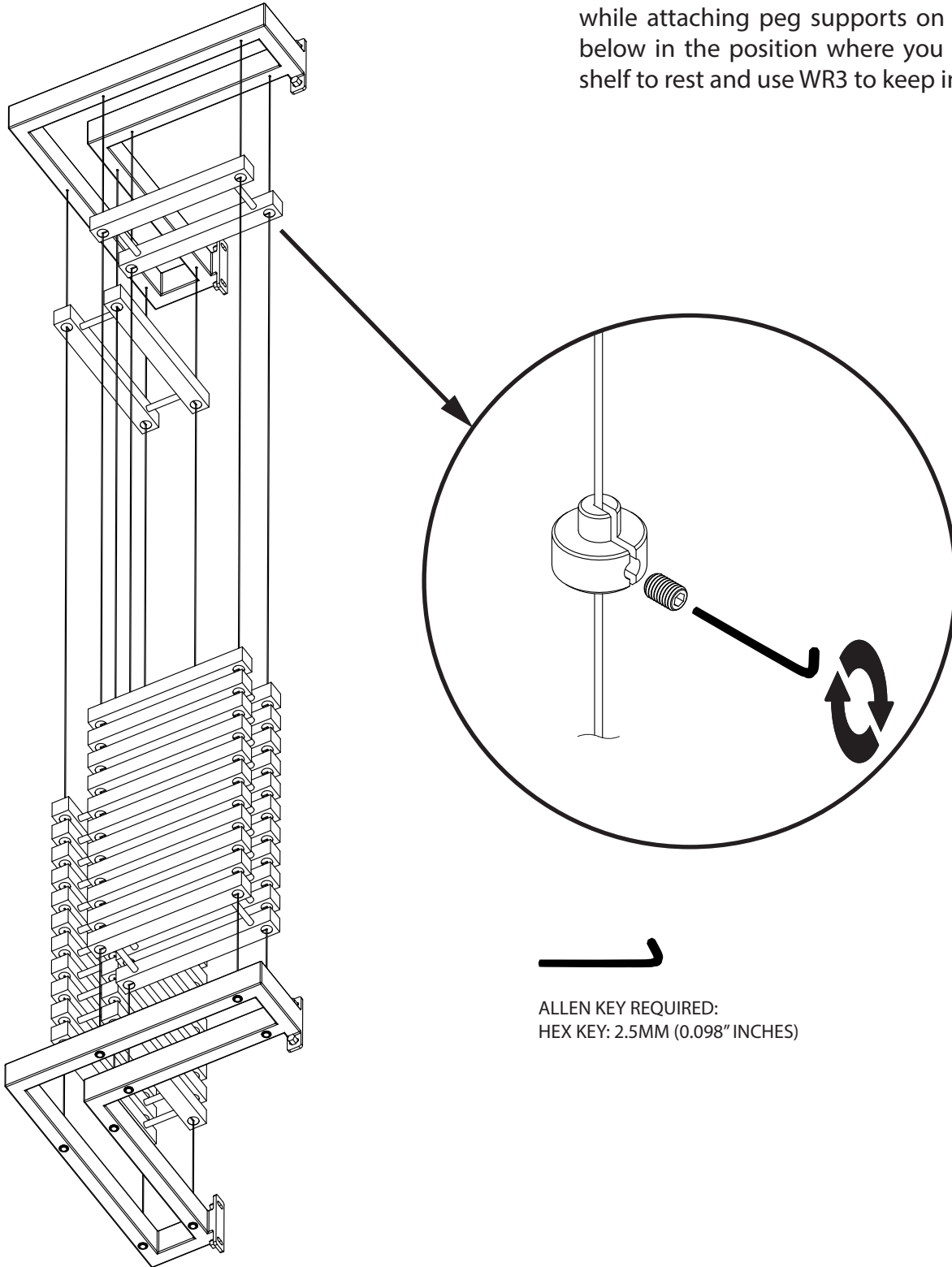
Pull down on the wall mount on both sides to create tension in the cables before screwing the bottom wall mounts into the wall. Before you pull down your installer can draw a level line on the wall to ensure that the wall mount screwed into the wall leveled. Use the appropriate screws, bolts and washers (4 sets) to secure bottom bracket to wall.



Cut cables below the bottom wall mount. Be sure you do not cut the cable too short. NOTE: Use cable cutter to cut cable.

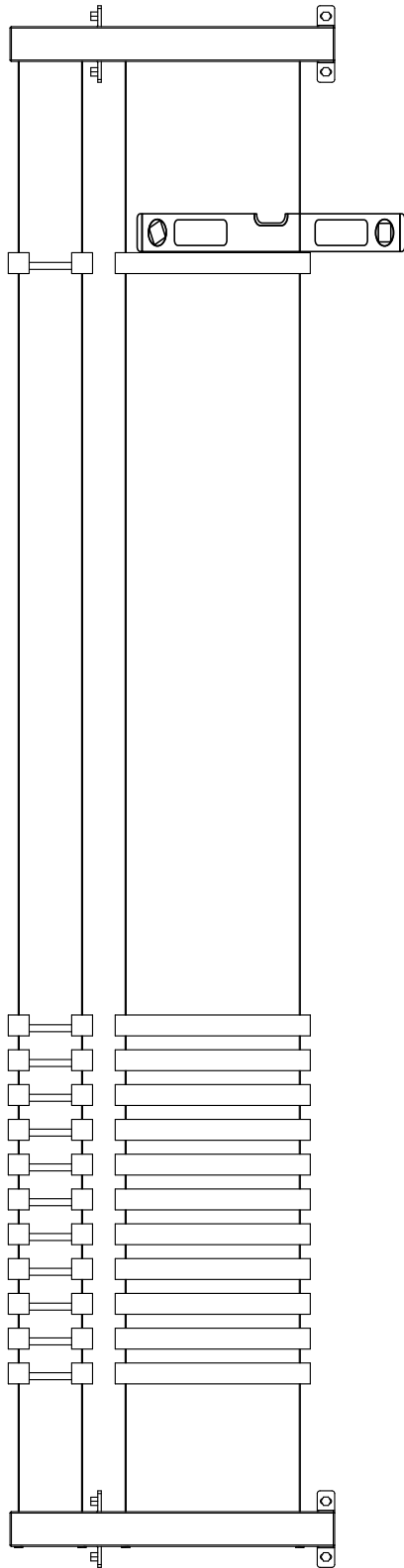


Position each shelf one at the time by lift them up above the position where you want to place each shelf. Hold each shelf in place while attaching peg supports on the cables below in the position where you want each shelf to rest and use WR3 to keep in position.

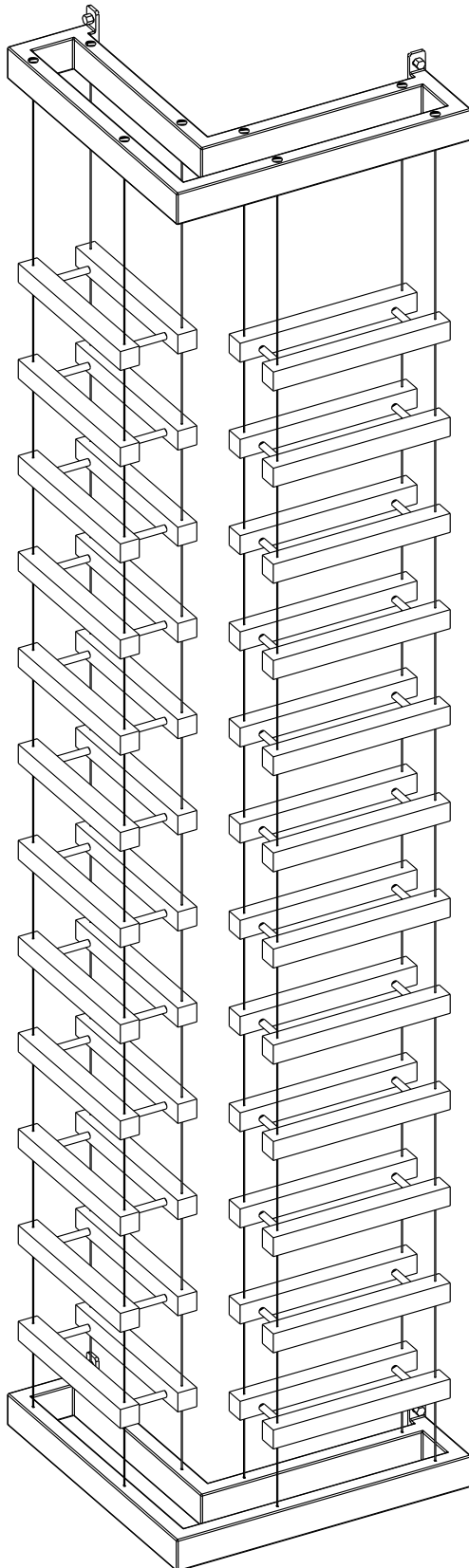


ALLEN KEY REQUIRED:
HEX KEY: 2.5MM (0.098" INCHES)

Use a leveler tool to ensure wooden shelves are horizontally leveled. Adjust WR3 if needed.



Enjoy the new wine rack from BUOYANT Wine Storage.



BUOYANT reserves the right to update or change our installation guides without prior notification.