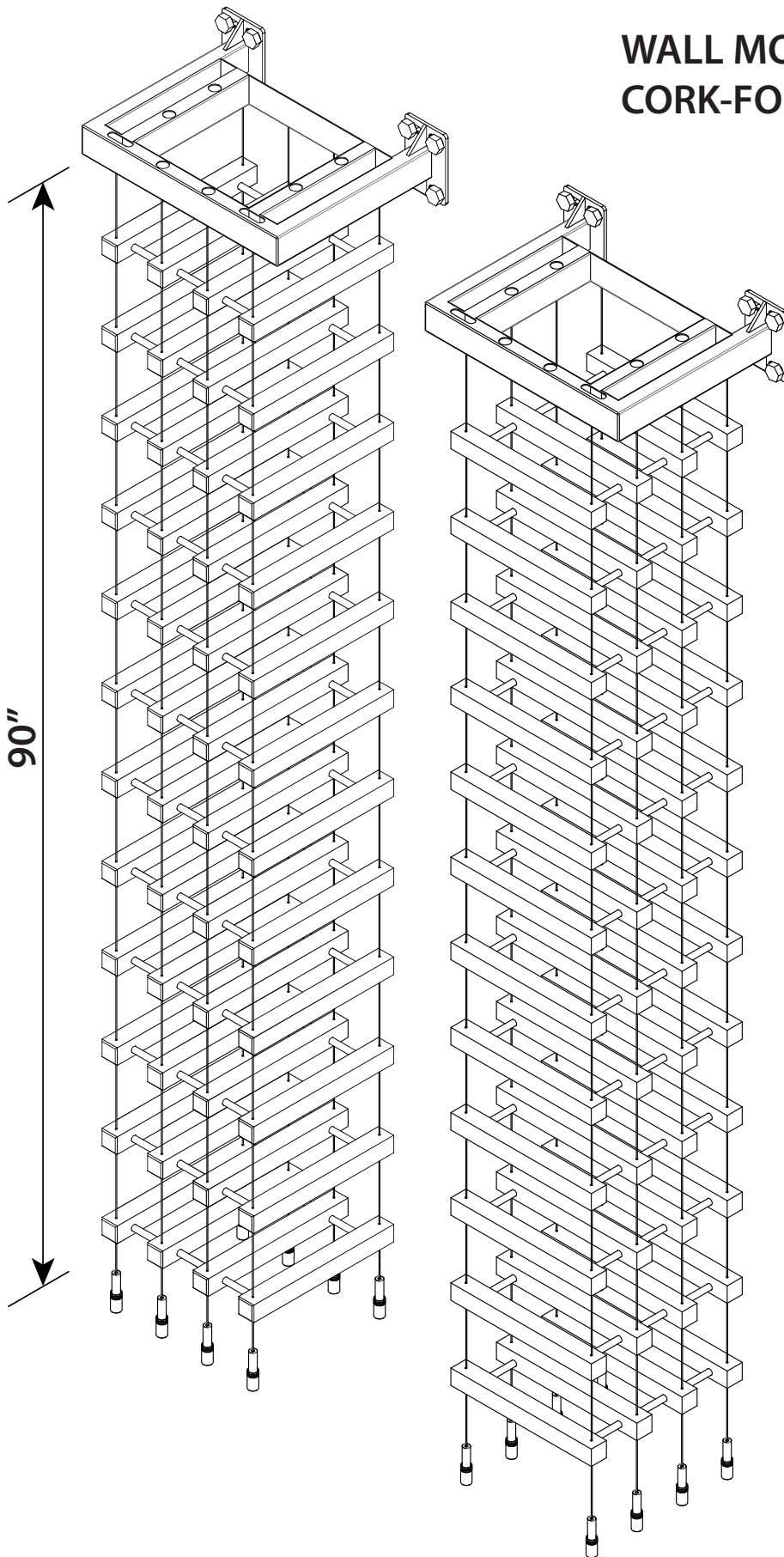


BUOYANT INSTALLATION GUIDE WM36

WALL MOUNT TO FLOOR 36 BOTTLES
CORK-FORWARD OR LABEL-FORWARD



BUOYANT
CABLE WINE STORAGE CONCEPT

<http://www.buoyantwinestorage.com>

TOOLS FOR INSTALLATION



SCREWDRIVER



HEX KEY: 1.5MM (0.059")
HEX KEY: 2.5MM (0.098")

ALLEN KEYS



ELECTRIC DRILL



CUTTER



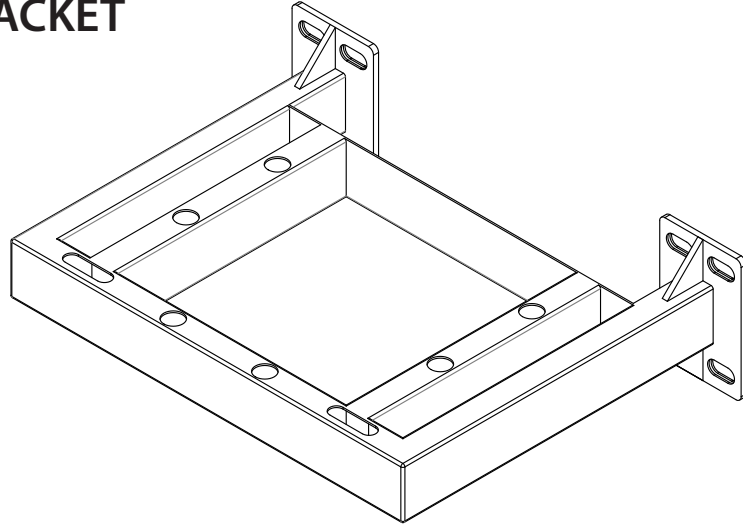
LEVEL

SAFETY INFORMATION

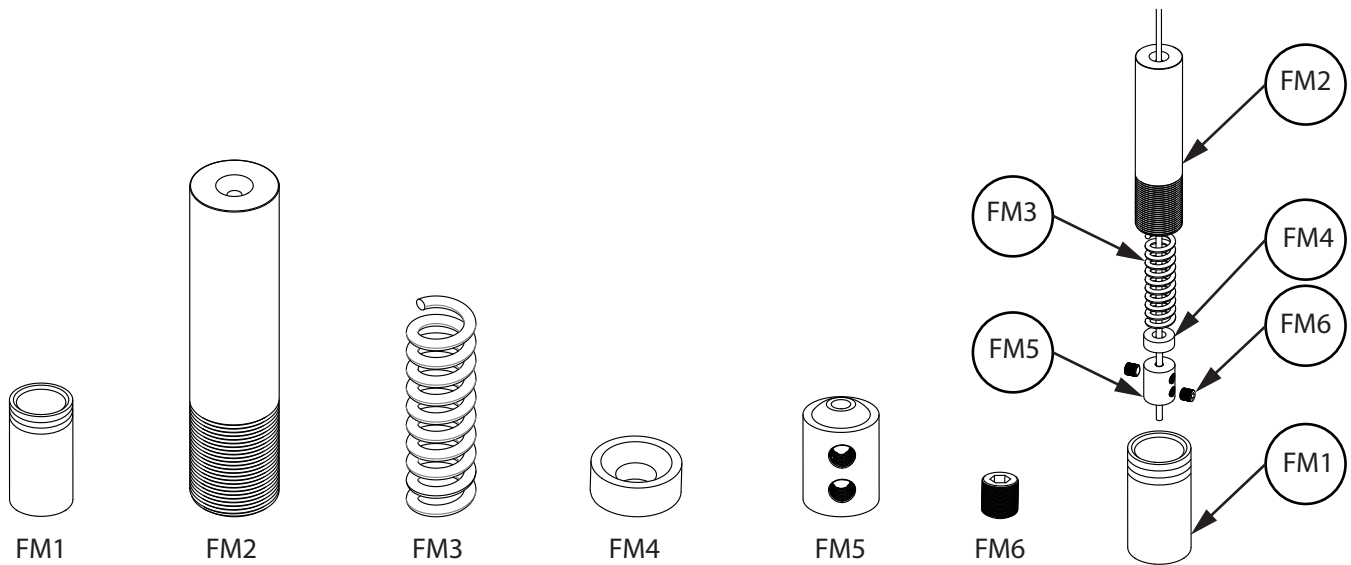
- 1) All parts should be installed according to the instructions provided in this installation guide. Failure to follow these instructions may result in deformities and /or loose cables and connectors. If such issues occur remove all bottles immediately until any issues found have been properly corrected. Pass this installation guide unto any new buyer of this product if resold to any party.
- 2) Buoyant products should only be installed and rearranged by qualified professionals after reading and fully understanding these instructions wholly. **DO NOT TRY TO INSTALL THE BUOYANT CABLE WINE SYSTEM YOURSELF!** A qualified professional should always be involved in jobsite inspection, product selection, assembly and installation of Buoyant Cable Wine Systems products.
- 3) Local codes regarding building, fire, sanitation and seismic requirements should may apply to some installations of the Buoyant Cable Wine System. The owner or purchaser of the system is responsible for checking with local building authorities and ensure that installation is in compliance with such codes and requirements if any exist.
- 4) Products from other manufactures must not be combined Buoyant Cable Wine System with any products.
- 5) If any Buoyant Cable Wine System parts are damaged or in anyway compromised contact a Buoyant Cable Wine System sales representative. **NEVER USE ANY DAMAGED OR COMPROMISED PARTS!**
- 6) The Buoyant Cable Wine System is designed to support the weight and shape of standard wine bottles. Use caution when storing other than standard wine bottles.
- 7) The design of Buoyant Cable Wine System only supports the weight of standard wine bottles (750ml). Do not exceed the maximum load of the Buoyant Cable Wine System as this may compromise the integrity of the Cable Wine System.
- 8) Never let any parts or bottles protrude into an aisle or doorways as this may cause accidental contact with the Buoyant Cable Wine System.
- 9) Always provide safe access to all levels of the Buoyant Cable Wine System in compliance with any building or fire code that may apply locally.
- 10) Never let anyone stand, walk, climb, lean or pull on the Buoyant Cable Wine System.
- 11) Never let anyone change, alter or modify the Buoyant Cable Wine System or any of its parts as this may cause the Buoyant Cable Wine System and/or its parts to be unsafe.
- 12) Always keep the wooden rods in a dry environment as humidity and moist can cause the wood to expand and change the dimensions of the drilled holes in the rods. Also, when staining the wooden rods it is important to avoid getting stain inside the holes as this could cause the hole dimensions to change Buoyant Cable Wine System. Any work done unto the wooden rods to repair such dimensional changes may effect the integrity of the system.



WALL MOUNT BRACKET



FLOOR MOUNT FIXTURE

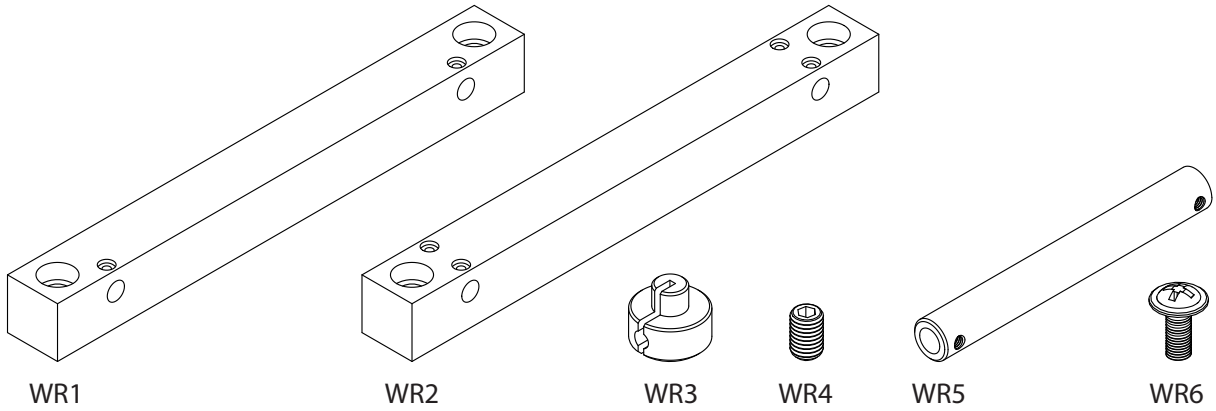


TENSION CABLE

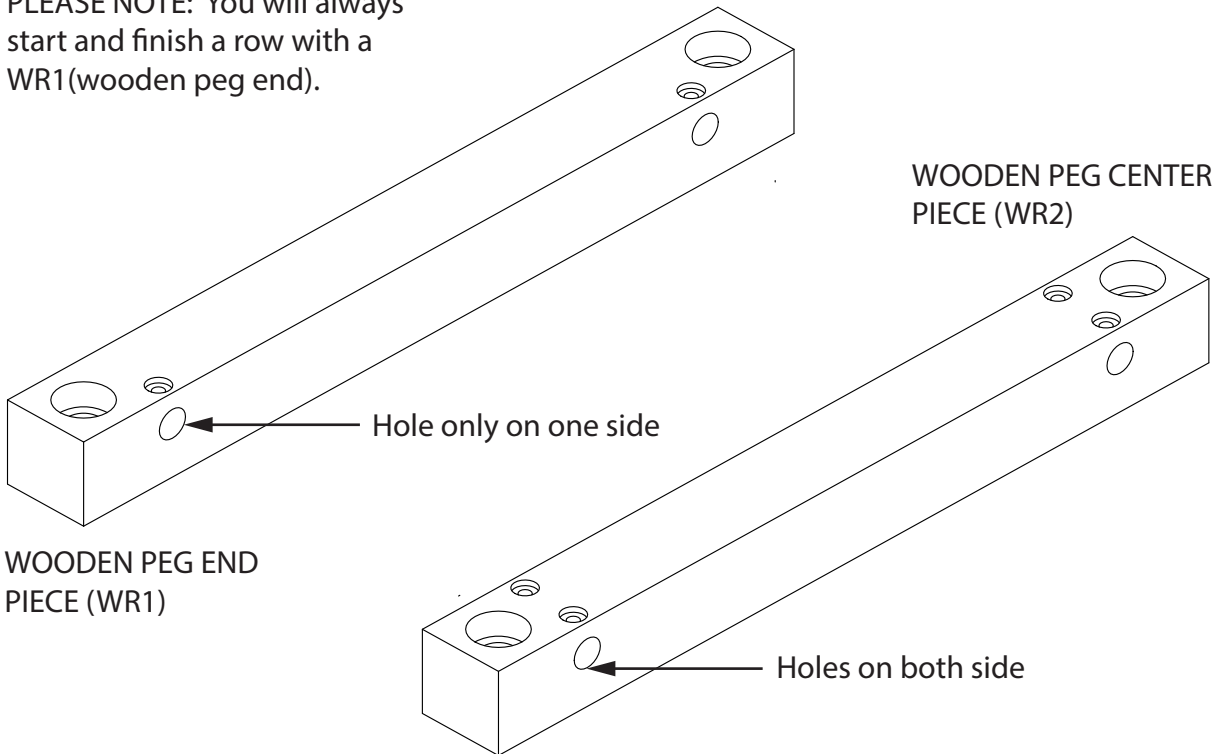


* Wall mount and anchoring screws, bolts and washers are not supplied.

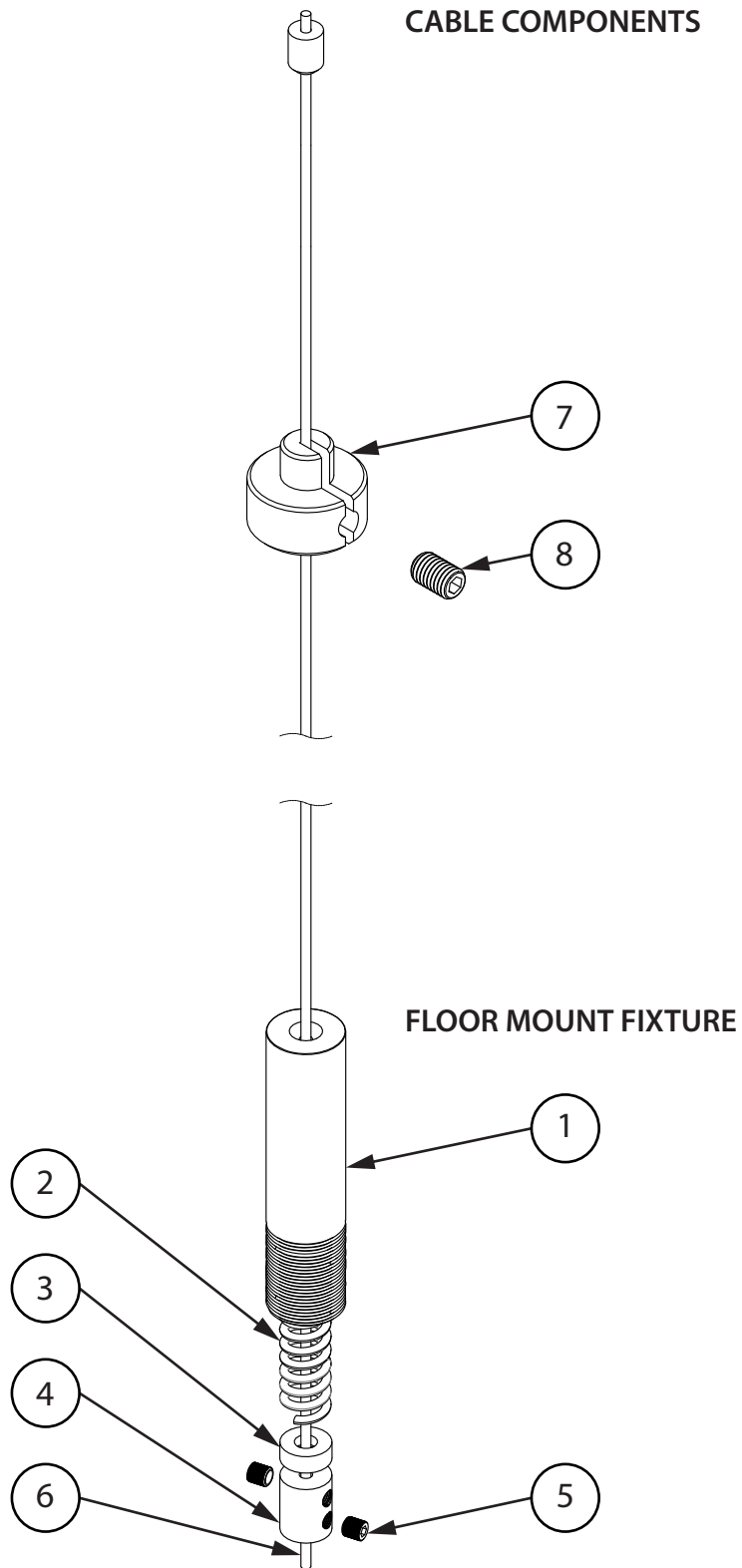
WOODEN FIXTURES AND COMPONENTS



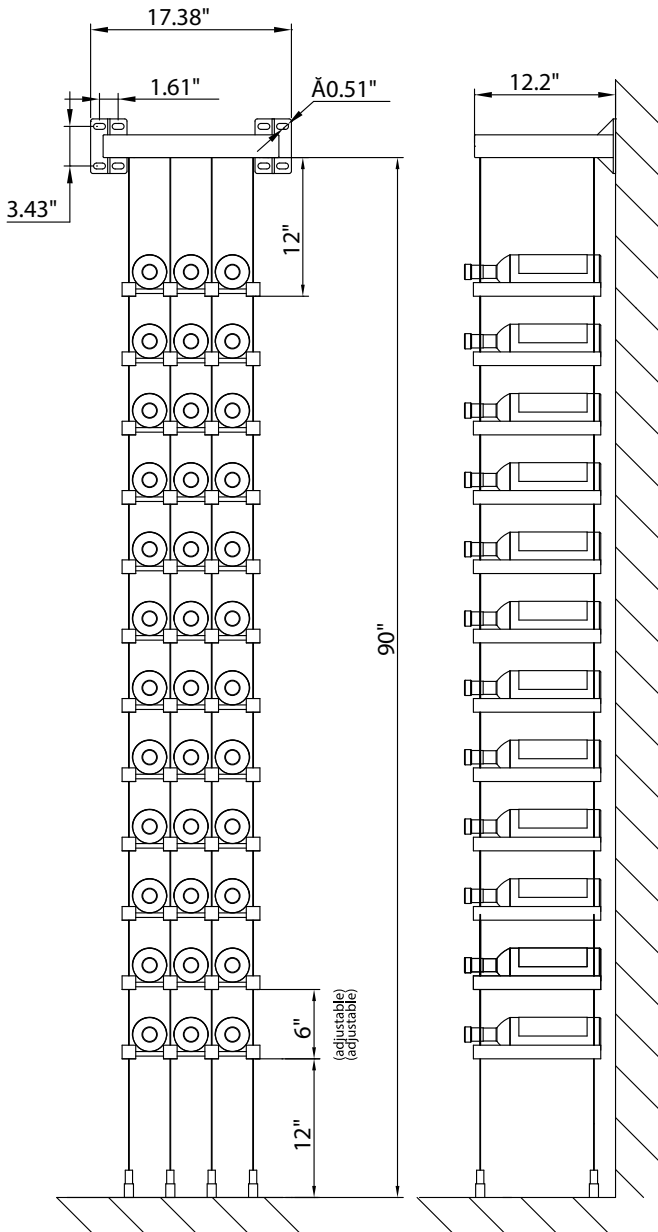
PLEASE NOTE: You will always start and finish a row with a WR1(wooden peg end).



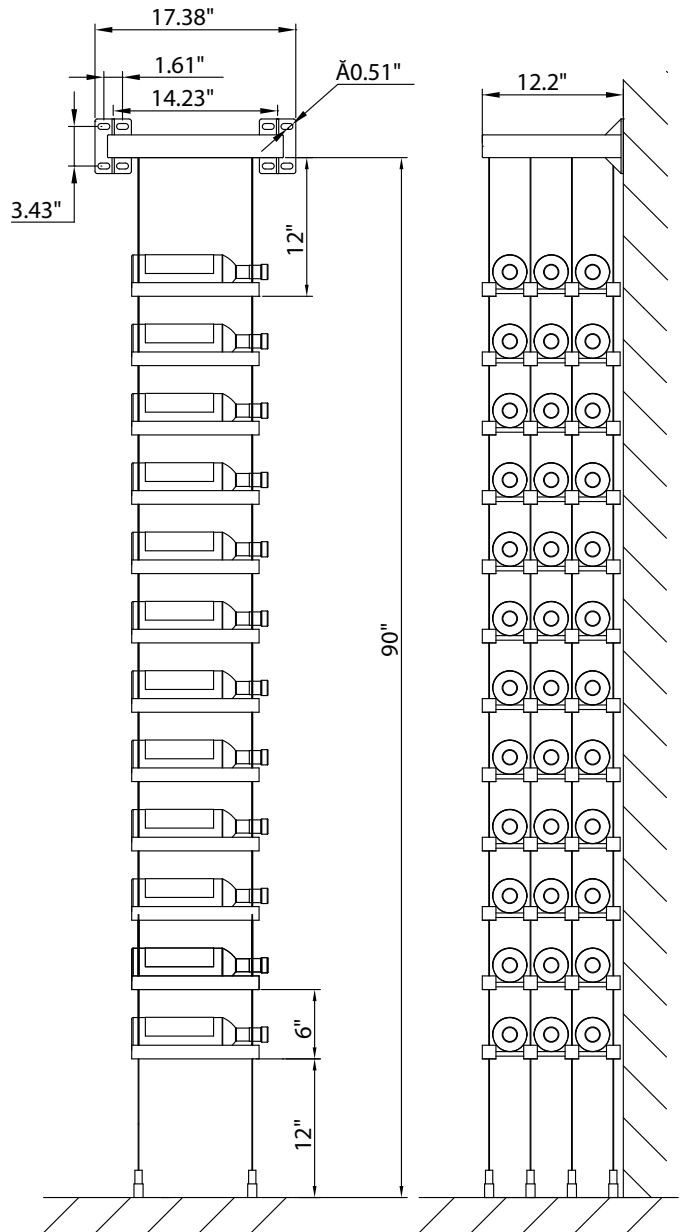
WOODEN PEG SUPPORT FIXTURE STEPS



PRODUCT DIMENSIONS



CORK-FORWARD

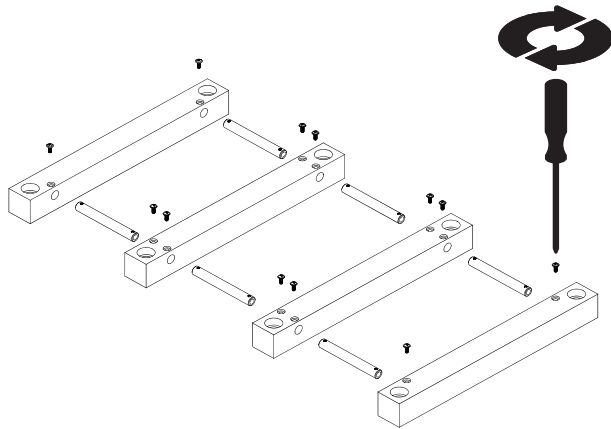


LABEL-FORWARD

The total load of the WM36 model series after assembled and wholly loaded with wine bottles is approximately 165lbs.

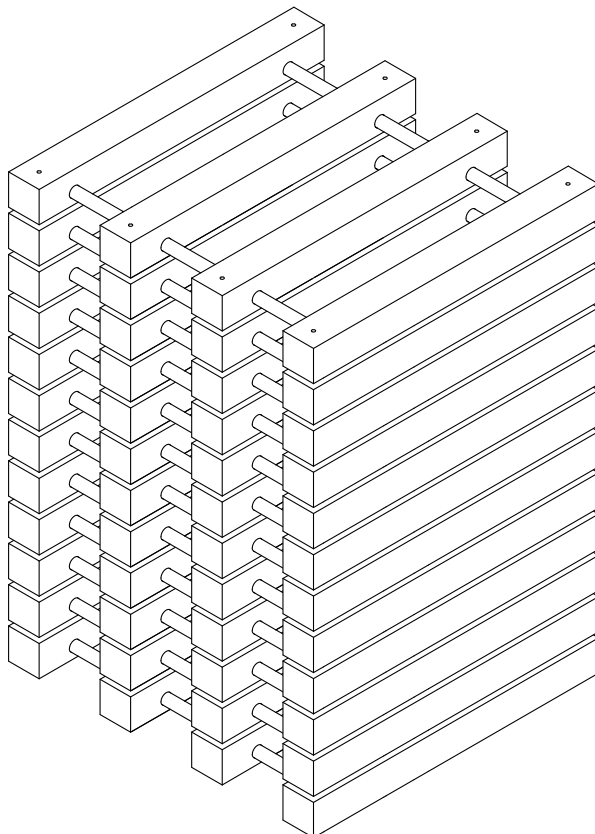
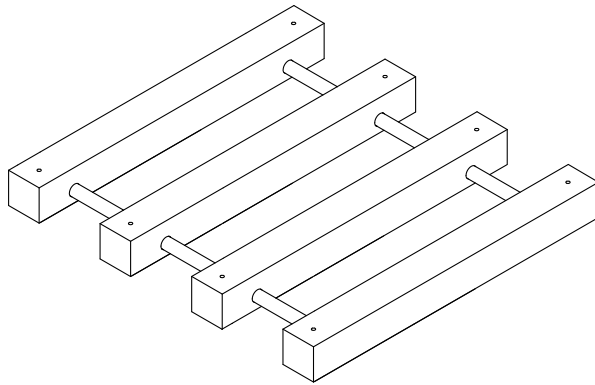
1

ASSEMBLE SHELVES



Assemble 3 bottle shelves by inserting WR5 tubes into wooden pegs and use WR6 screws to hold tubes in position as shown below.

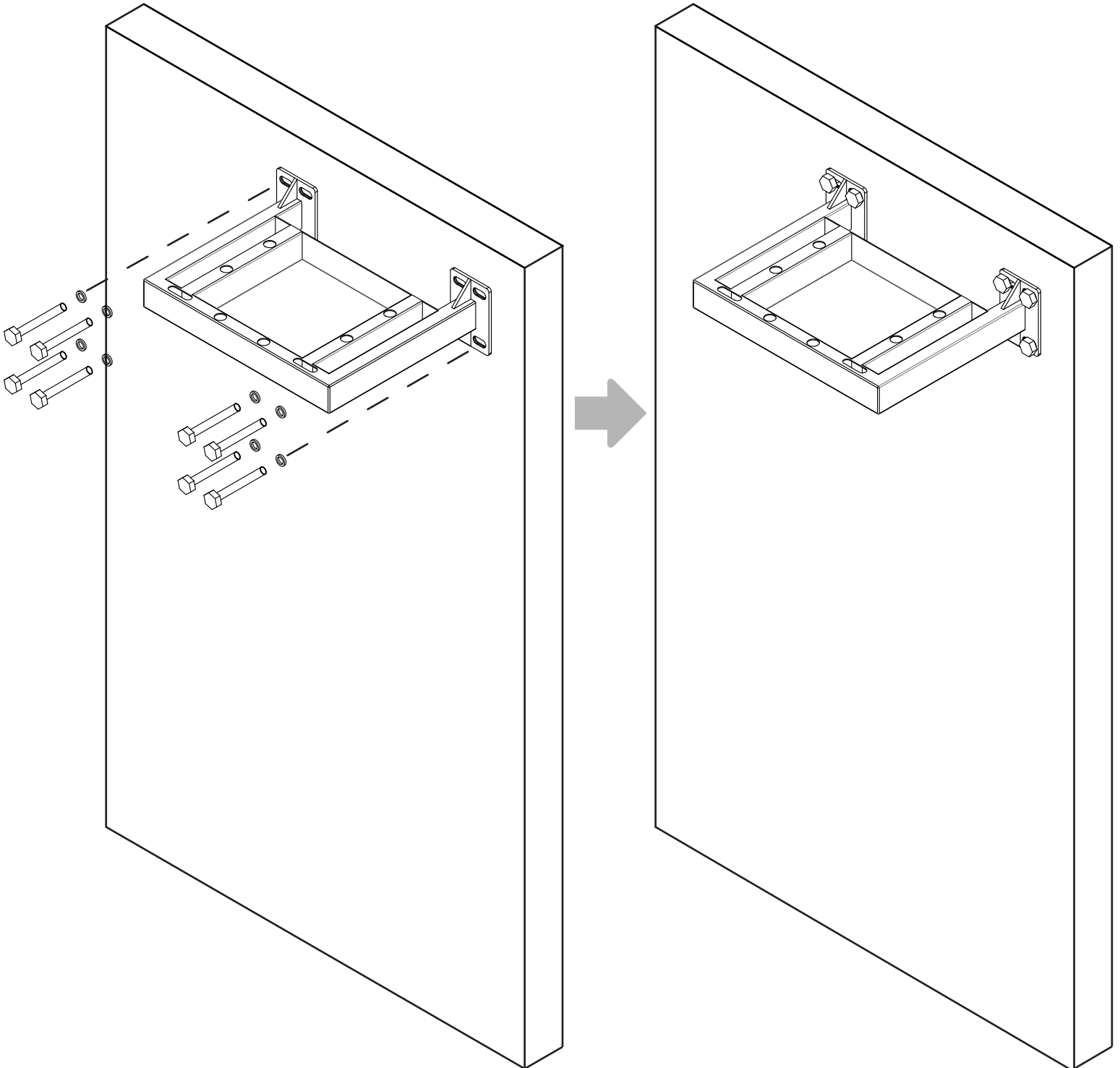
After assembly you should have a total of 12 sets of 3 bottle shelves.



2

SECURE BRACKET TO THE WALL

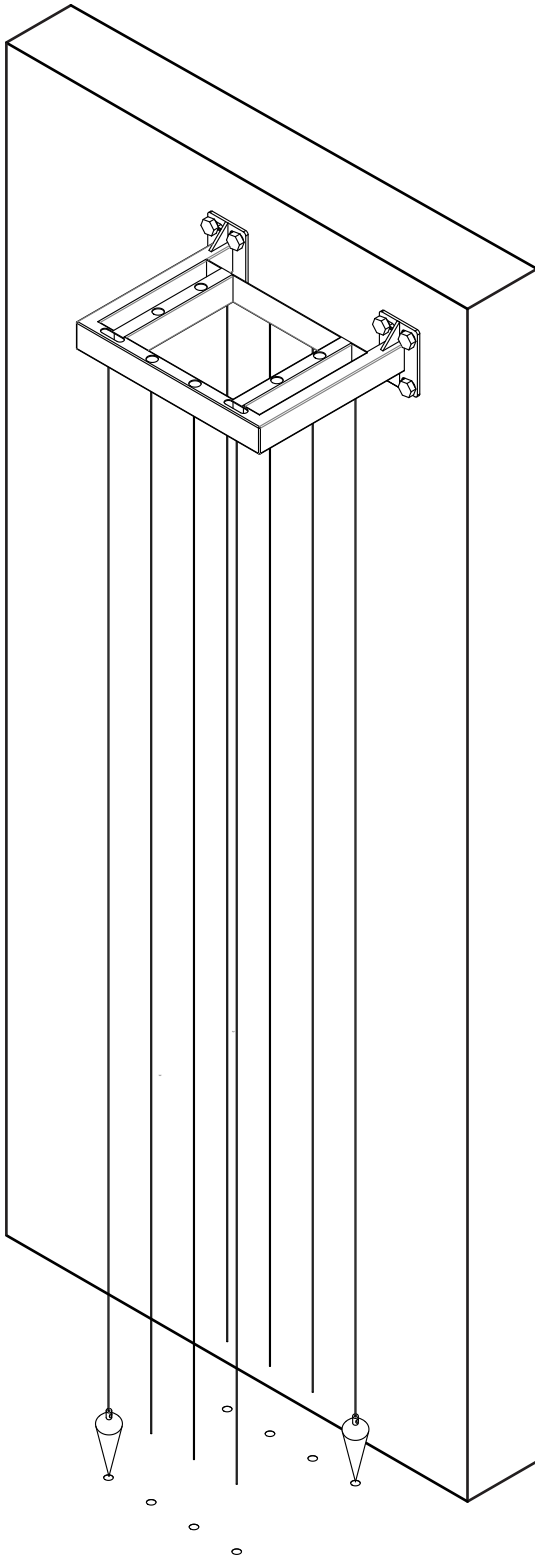
Use the appropriate screws, bolts and washers (8 sets) to secure bracket to wall and ensure that the wall has been properly reinforced to carry this load.



4

MARK HOLES

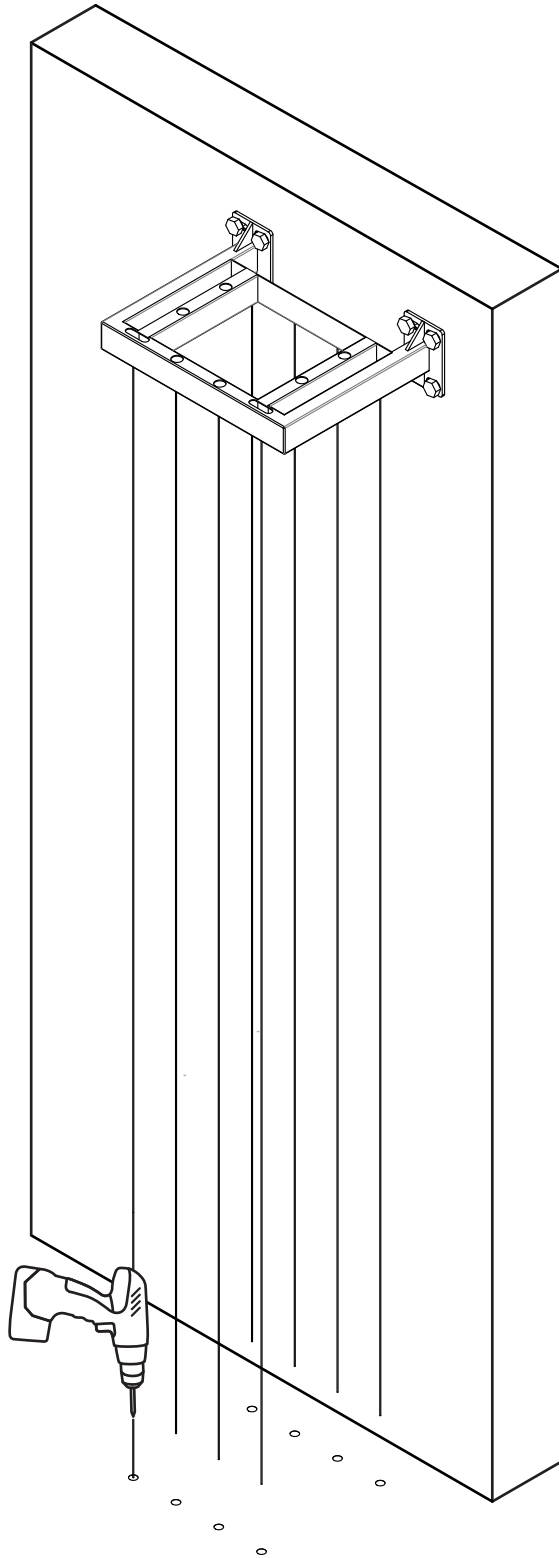
Add plumb line to cable and mark the holes for drilling, as shown below



5

DRILL HOLES

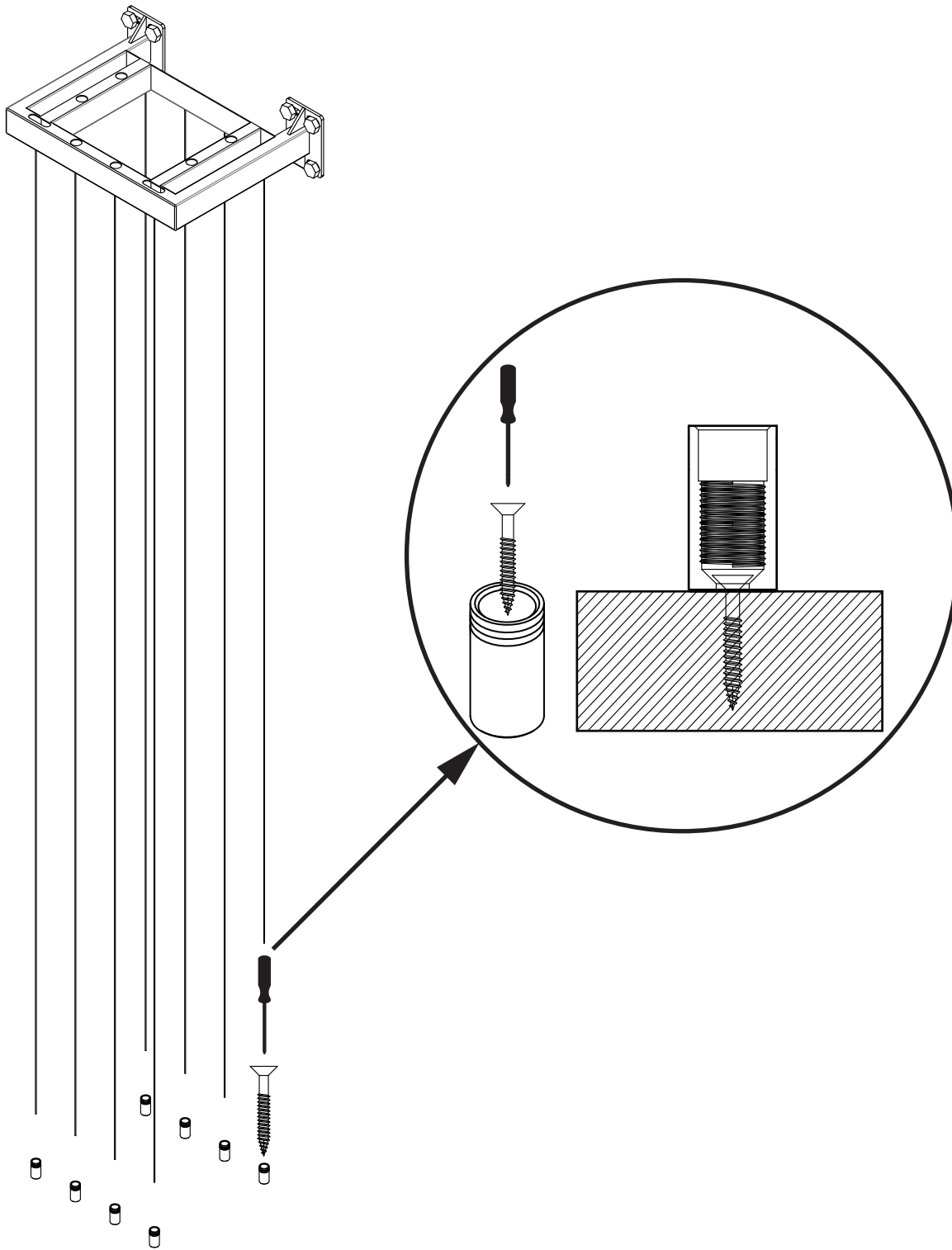
Drill holes in floor as shown below.



6

MOUNT FLOOR FIXTURES

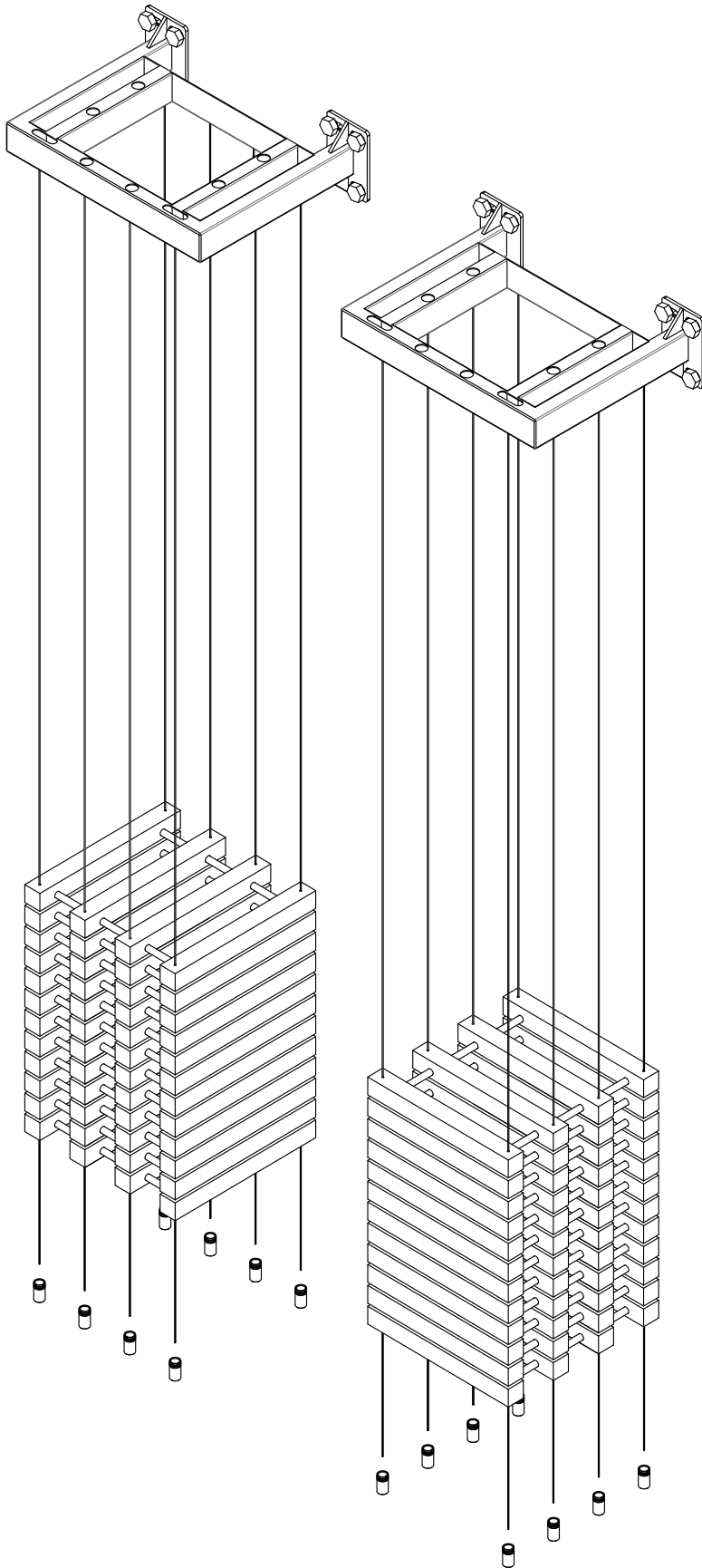
Mount floor fixture FM1 into floor as shown below.



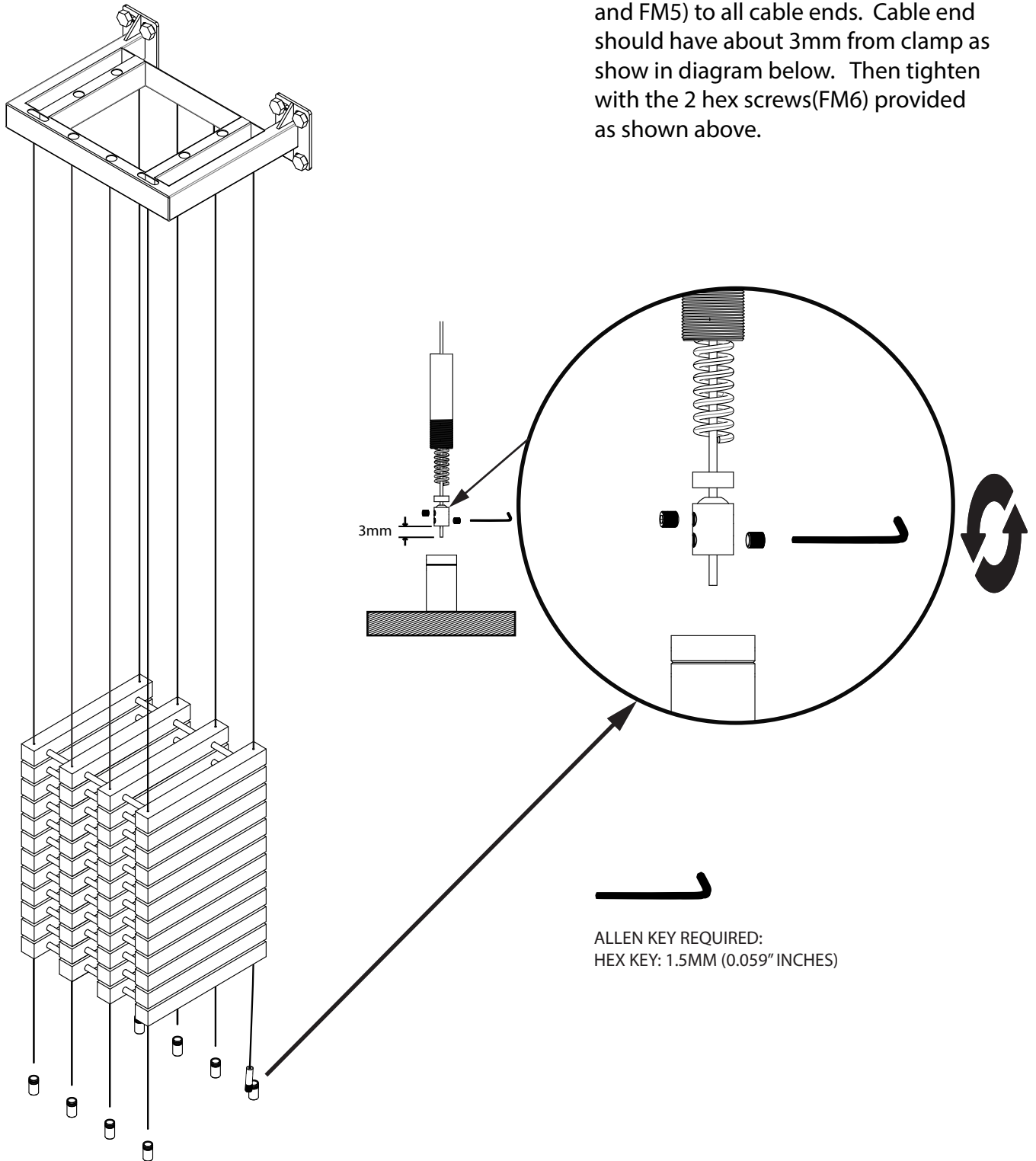
7

SLIDE SHELVES ONTO CABLES

Slide all shelves onto cables, by running cables through the small holes on the top of the wooden pegs. The large drilled holes on the pegs should point downwards.



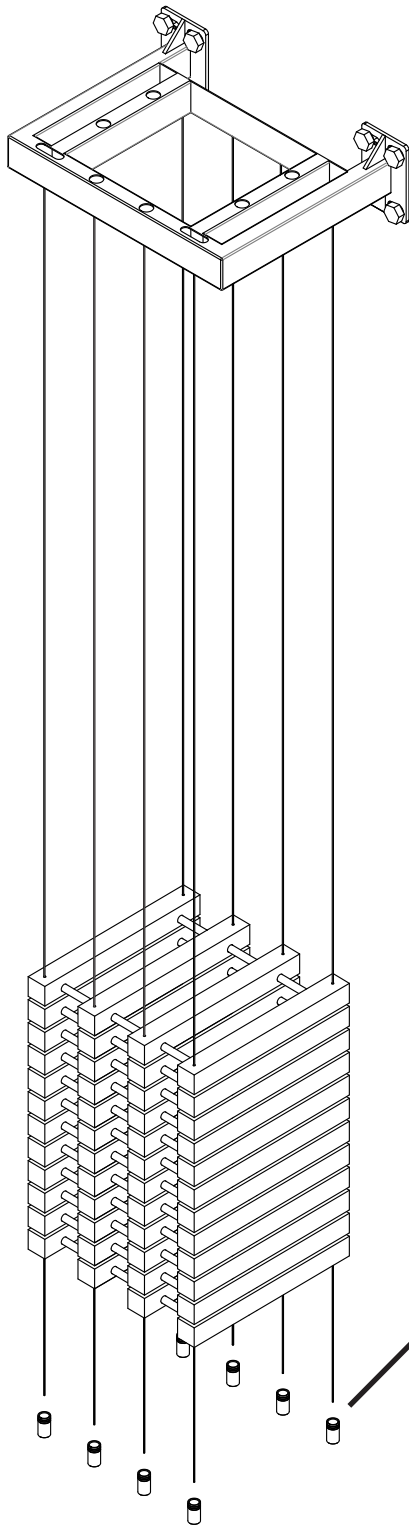
Mount on end of cables the following floor mount fixtures in exact order: Male mount, spring, washer and clamp(FM2, FM3, FM4 and FM5) to all cable ends. Cable end should have about 3mm from clamp as show in diagram below. Then tighten with the 2 hex screws(FM6) provided as shown above.



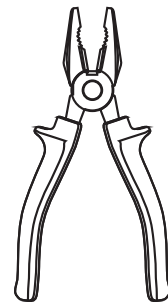
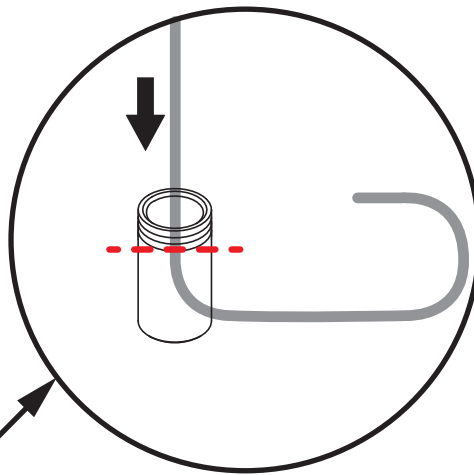
9

CUT THE CABLES ASSEMBLE BOTTOM ANCHORS

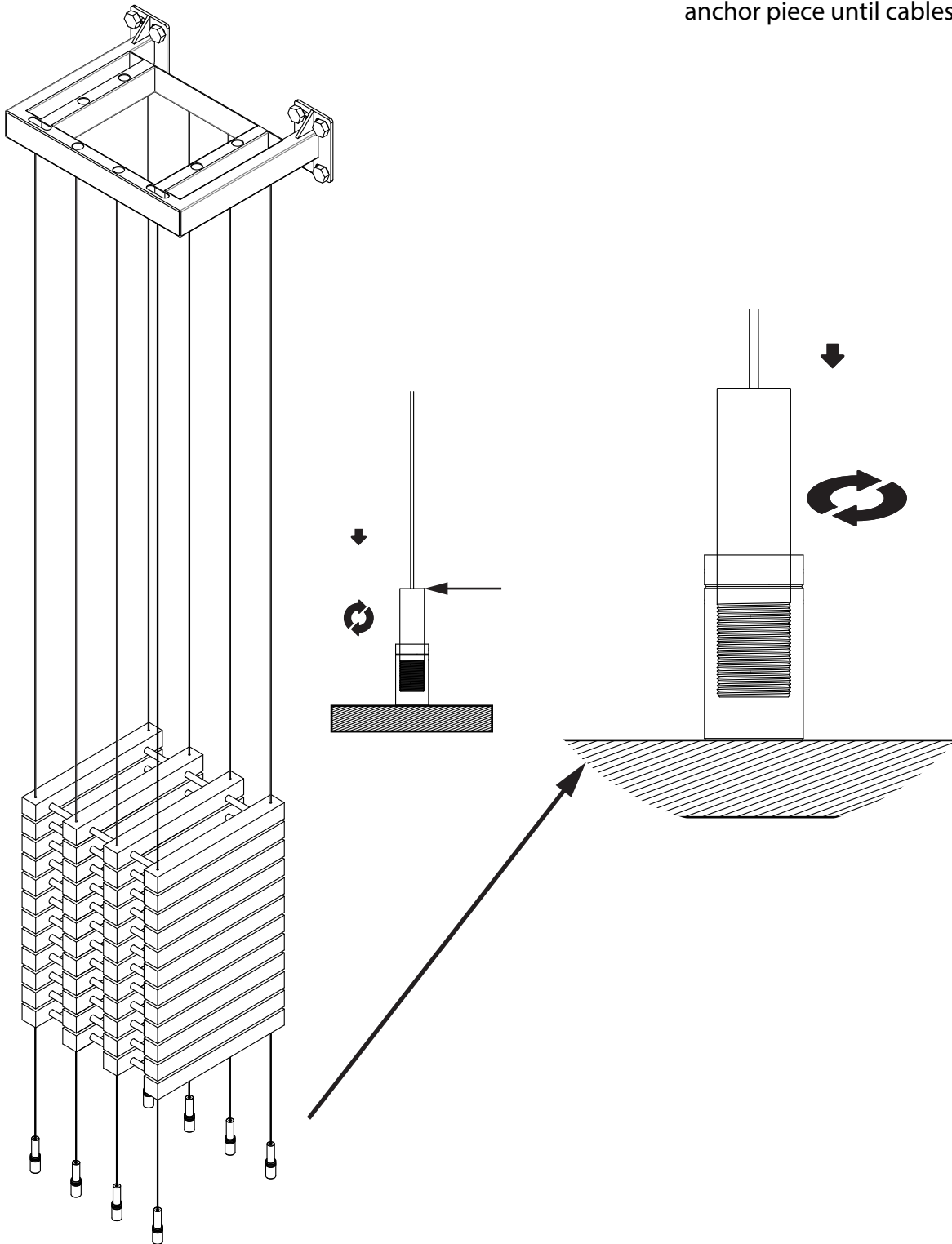
Stretch cables from bracket to floor, mark on the cable cut location with a marker. The cut should be where the ring of floor mount FM1 (as shown in picture). NOTE: Use cable cutter to cut cable. BE SURE YOU DO NOT CUT THE CABLE TOO SHORT.



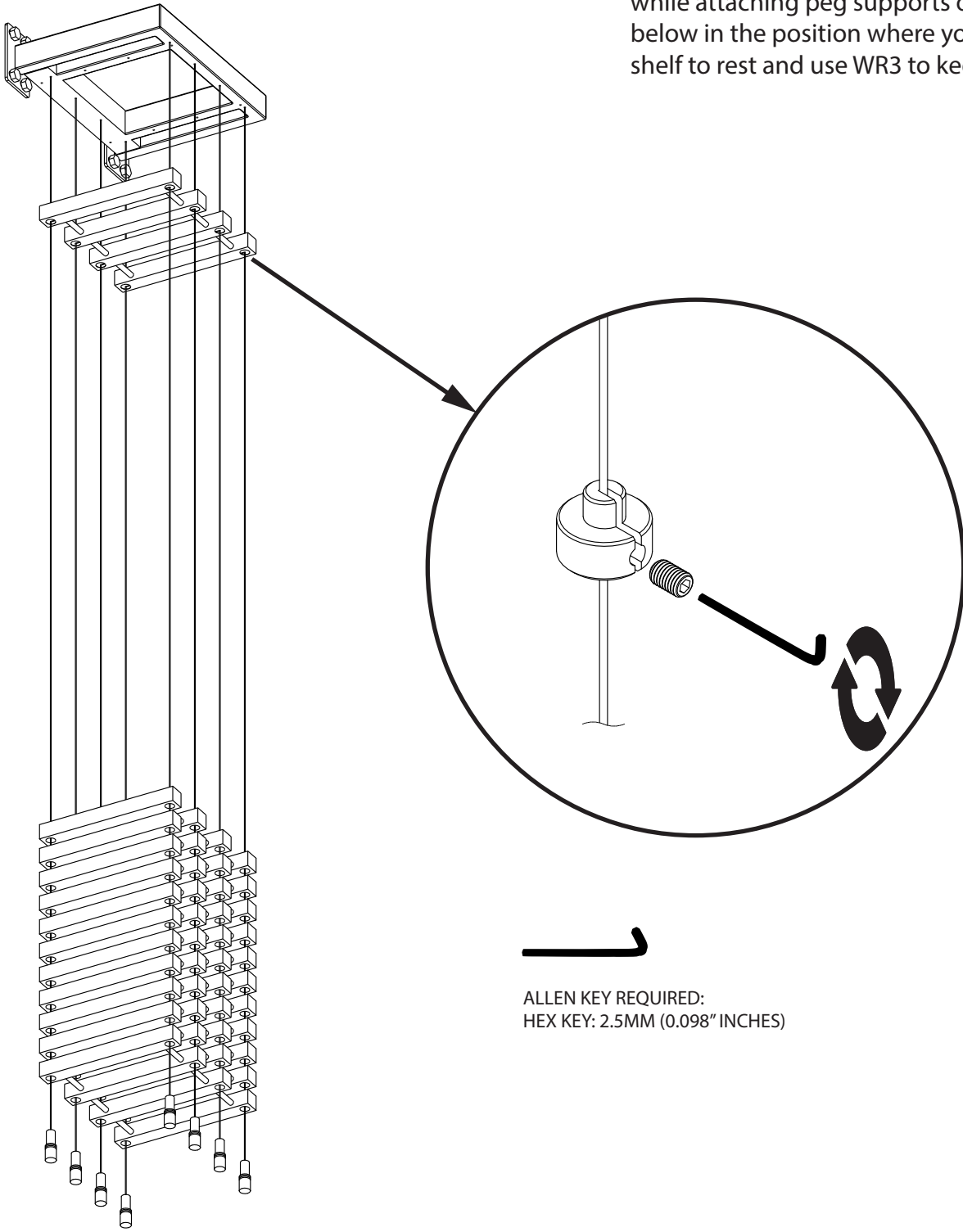
CUT LINE FOR CABLE IS INDICATED ON FLOOR MOUNT FM1 AS SHOWN BELOW.



Tighten bottom anchors by screwing the male anchor piece (the slim piece with the spring inside) into the female anchor piece until cables are in tension.



Position each shelf one at the time by lift them up above the position where you want to place each shelf. Hold each shelf in place while attaching peg supports on the cables below in the position where you want each shelf to rest and use WR3 to keep in position.

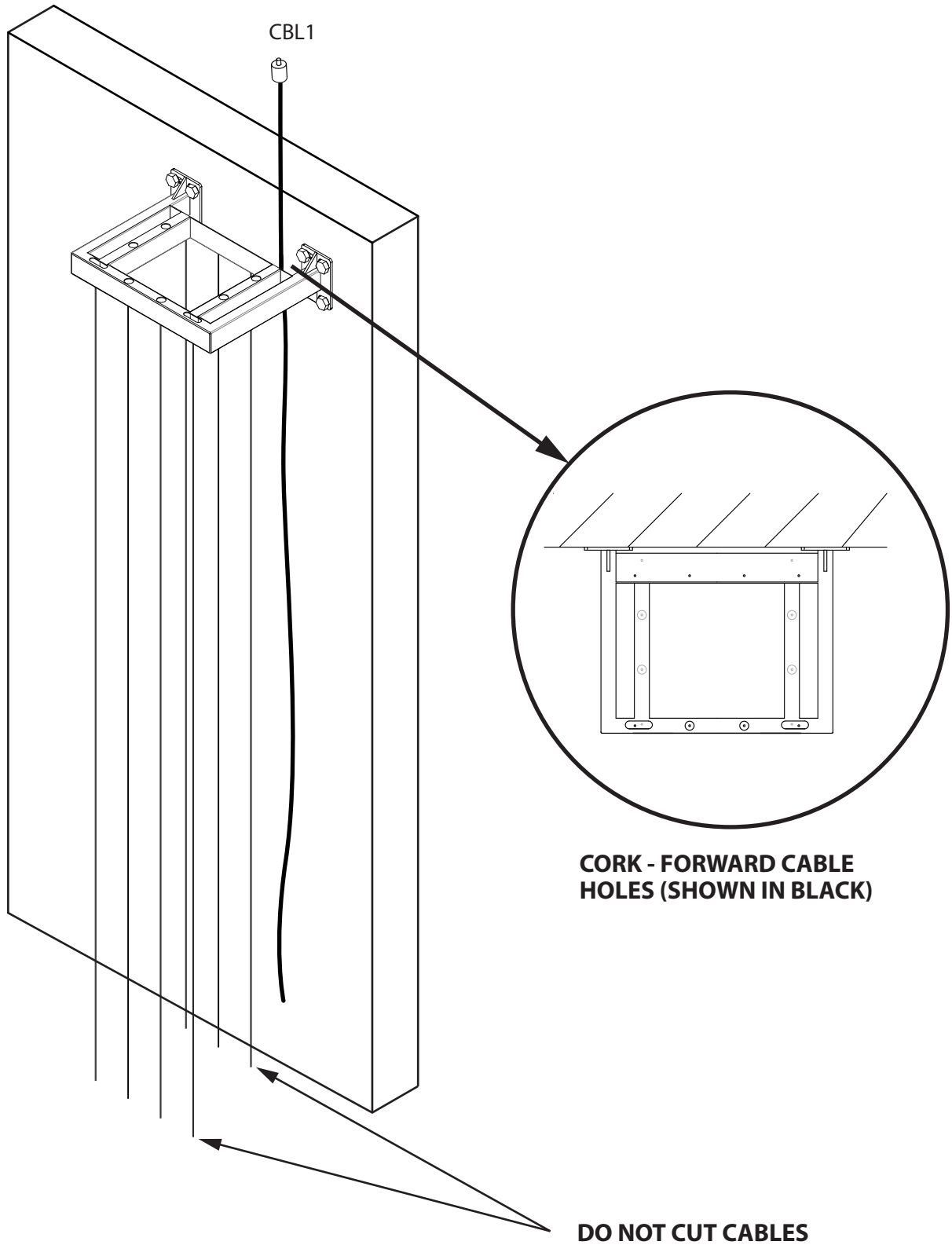


ALLEN KEY REQUIRED:
HEX KEY: 2.5MM (0.098" INCHES)

3

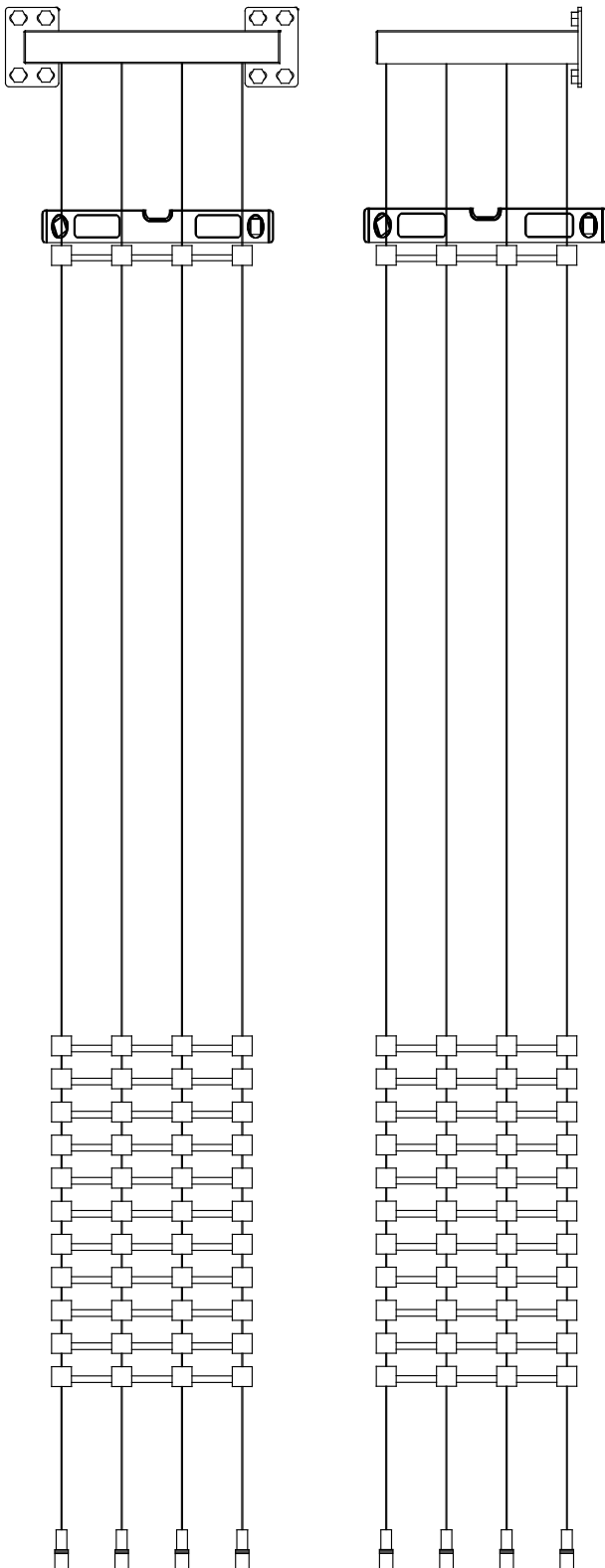
CORK - FORWARD SETUP / INSERT CABLES ON TOP OF BRAKET

Insert all 8 crimped cables through the holes (shown in black) on top of the wall mount bracket and pull them through the small holes on the bottom .



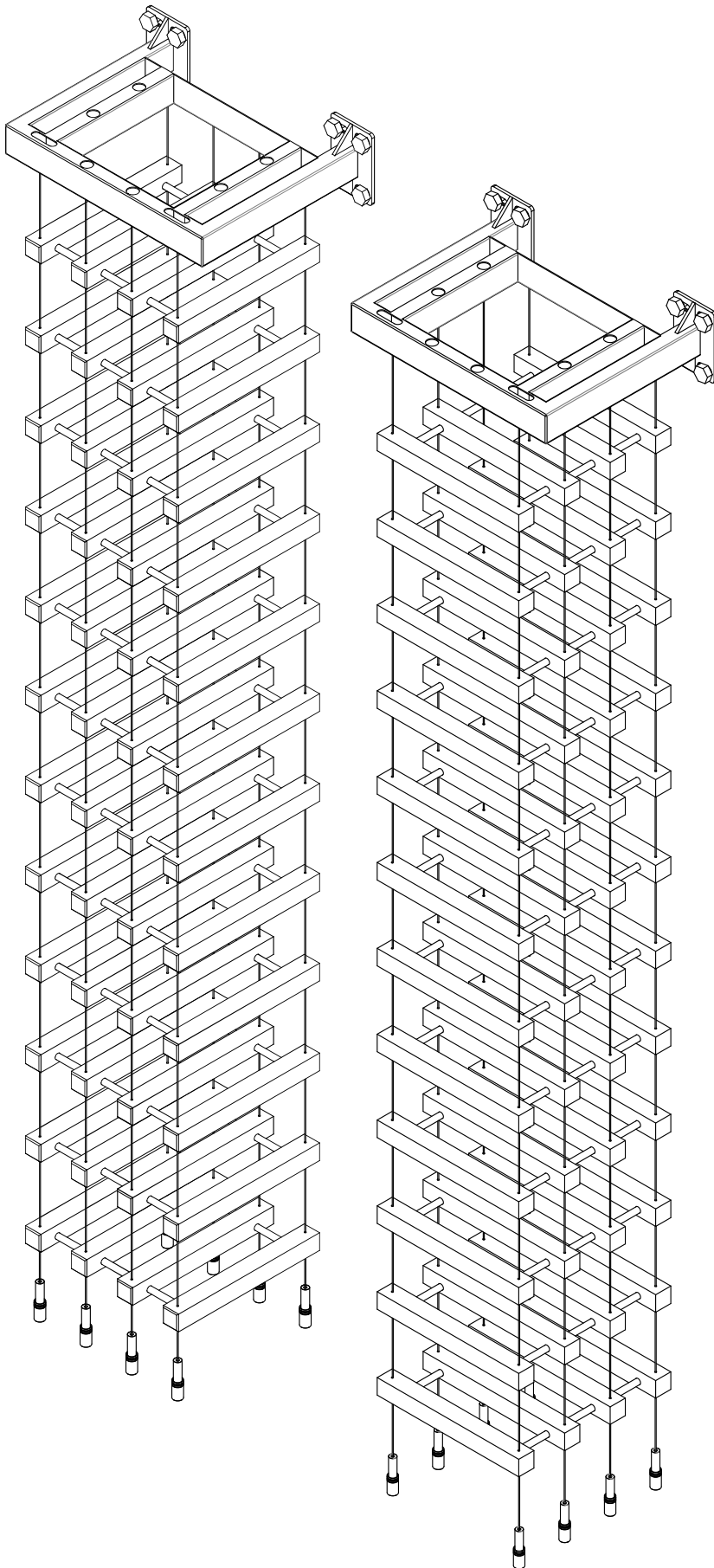
**CORK - FORWARD CABLE
HOLES (SHOWN IN BLACK)**

DO NOT CUT CABLES



Starting from top: raise a shelf from the bottom to the top and use couple of WR3's (shelf supports) to hold it in place, slightly above the position, you wish to place each shelf. Measure and fix all WM3's at the same height below the shelf, before lowering the shelf on to WM3's. Use a leveler to ensure the shelves are leveled horizontally, and back to front." Repeat step for each shelf until all shelves are in place." Adjust WR3's if needed.

ENJOY!



BUOYANT reserves the right to update or change our installation guides without prior notification.

LABEL-FORWARD SETUP / INSERT CABLES ON TOP OF BRACKET

Insert all 8 crimped cables through the holes (shown in black) on top of the wall mount bracket and pull them through the small holes on the bottom .

