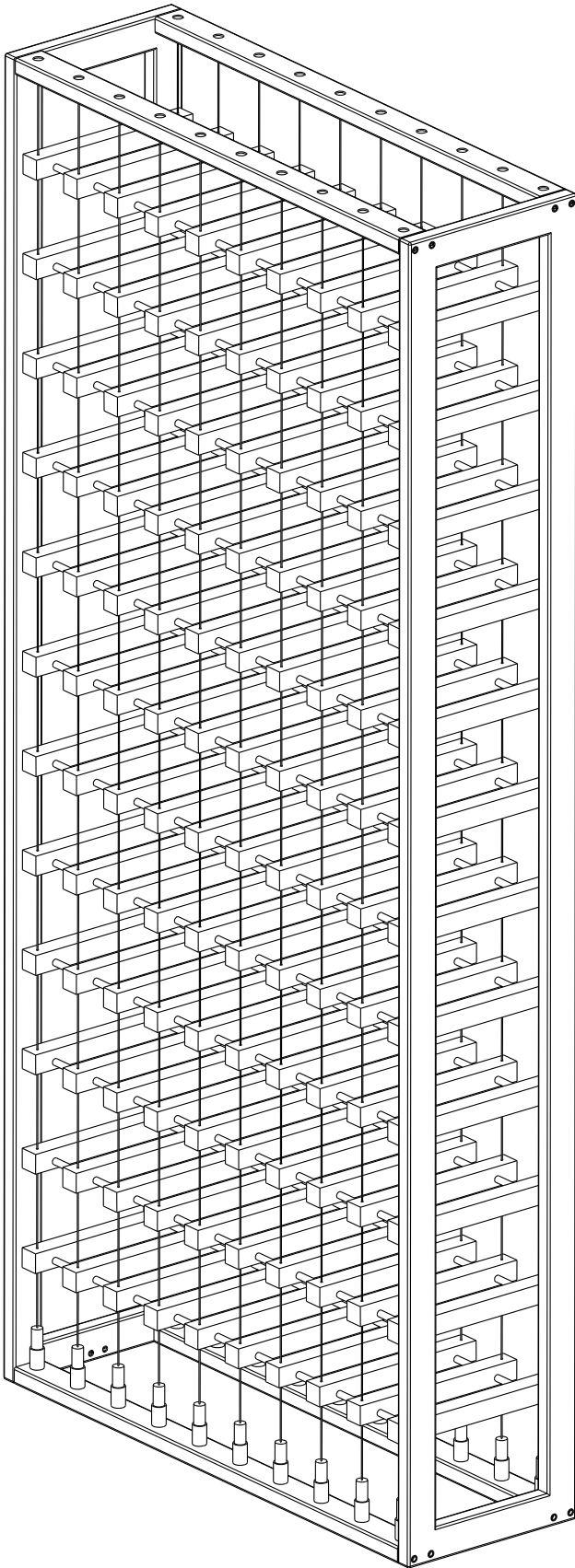


BUOYANT INSTALLATION GUIDE FS108



FREE STANDING FRAME
108 BOTTLES



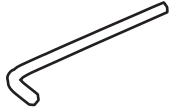
BUOYANT
CABLE WINE STORAGE CONCEPT

<http://www.buoyantwinestorage.com>

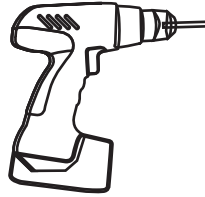
TOOLS FOR INSTALLATION



SCREW DRIVER



ALLEN KEYS



ELECTRIC DRILL

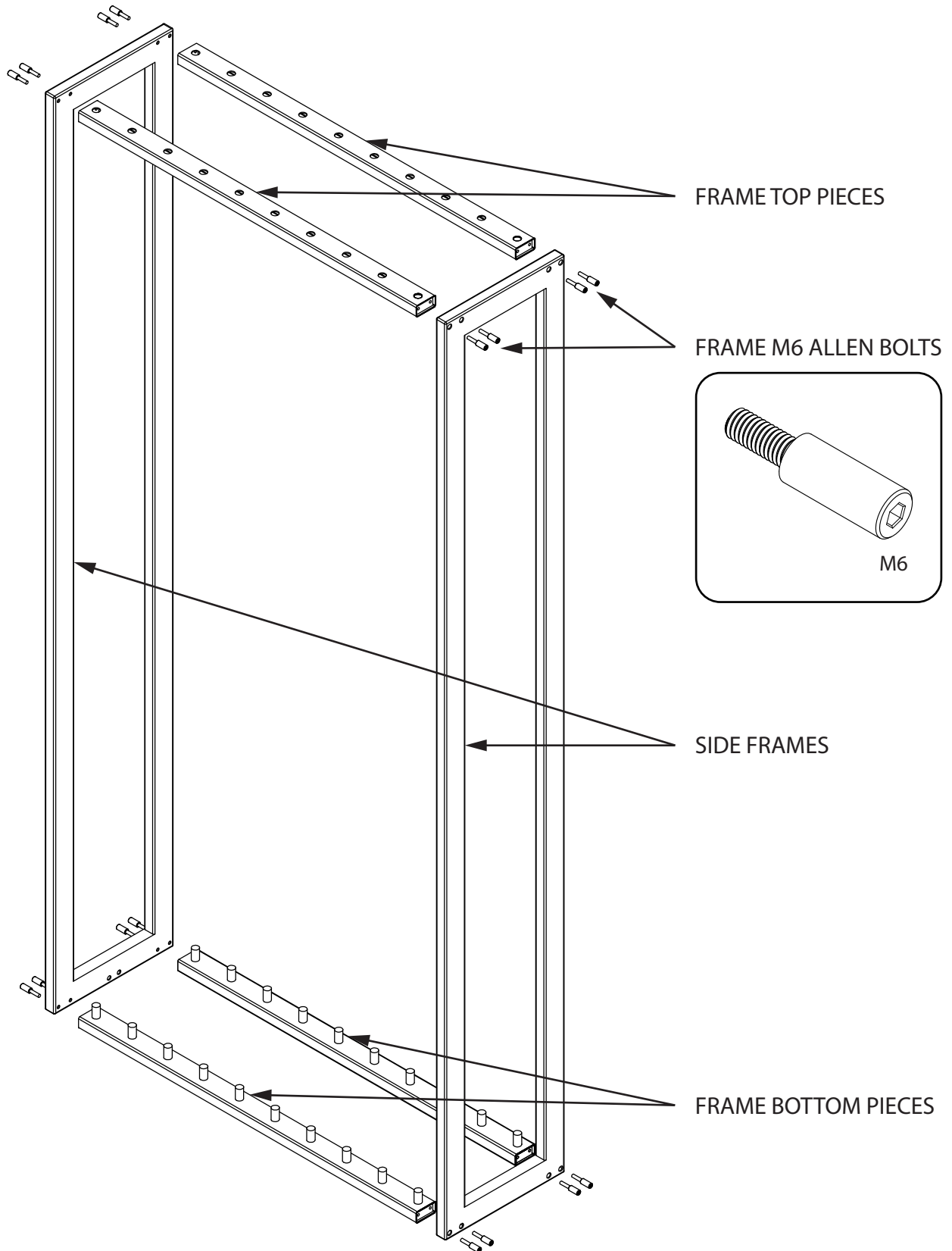


LEVEL

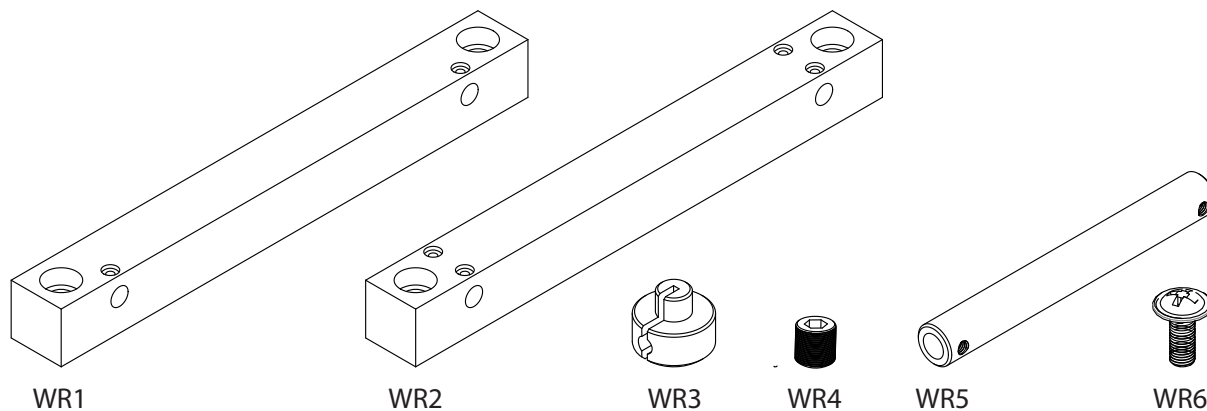
SAFETY INFORMATION

- 1) All parts should be installed according to the instructions provided in this installation guide. Failure to follow these instructions may result in deformities and /or loose cables and connectors. If such issues occur remove all bottles immediately until any issues found have been properly corrected. Pass this installation guide onto any new buyer of this product if resold to any party.
- 2) Buoyant products should only be installed and rearranged by qualified professionals after reading and fully understanding these instructions wholly. **DO NOT TRY TO INSTALL THE BUOYANT CABLE WINE SYSTEM YOURSELF!** A qualified professional should always be involved in jobsite inspection, product selection, assembly and installation of Buoyant Cable Wine Systems products.
- 3) Local codes regarding building, fire, sanitation and seismic requirements should may apply to some installations of the Buoyant Cable Wine System. The owner or purchaser of the system is responsible for checking with local building authorities and ensure that installation is in compliance with such codes and requirements if any exist.
- 4) Products from other manufactures must not be combined Buoyant Cable Wine System with any products.
- 5) If any Buoyant Cable Wine System parts are damaged or in anyway compromised contact a Buoyant Cable Wine System sales representative. **NEVER USE ANY DAMAGED OR COMPROMISED PARTS!**
- 6) The Buoyant Cable Wine System is designed to support the weight and shape of standard wine bottles. Use caution when storing other than standard wine bottles.
- 7) The design of Buoyant Cable Wine System only supports the weight of standard wine bottles (750ml). Do not exceed the maximum load of the Buoyant Cable Wine System as this may compromise the integrity of the Cable Wine System.
Lorem ipsum
- 8) Never let any parts or bottles protrude into an aisle or doorways as this may cause accidental contact with the Buoyant Cable Wine System.
- 9) Always provide safe access to all levels of the Buoyant Cable Wine System in compliance with any building or fire code that may apply locally.
- 10) Never let anyone stand, walk, climb, lean or pull on the Buoyant Cable Wine System.
- 11) Never let anyone change, alter or modify the Buoyant Cable Wine System or any of its parts as this may cause the Buoyant Cable Wine System and/or its parts to be unsafe.
- 12) Always keep the wooden rods in a dry environment as humidity and moist can cause the wood to expand and change the dimensions of the drilled holes in the rods. Also, when staining the wooden rods it is important to avoid getting stain inside the holes as this could cause the hole dimensions to change Buoyant Cable Wine System. Any work done unto the wooden rods to repair such dimensional changes may effect the integrity of the system.

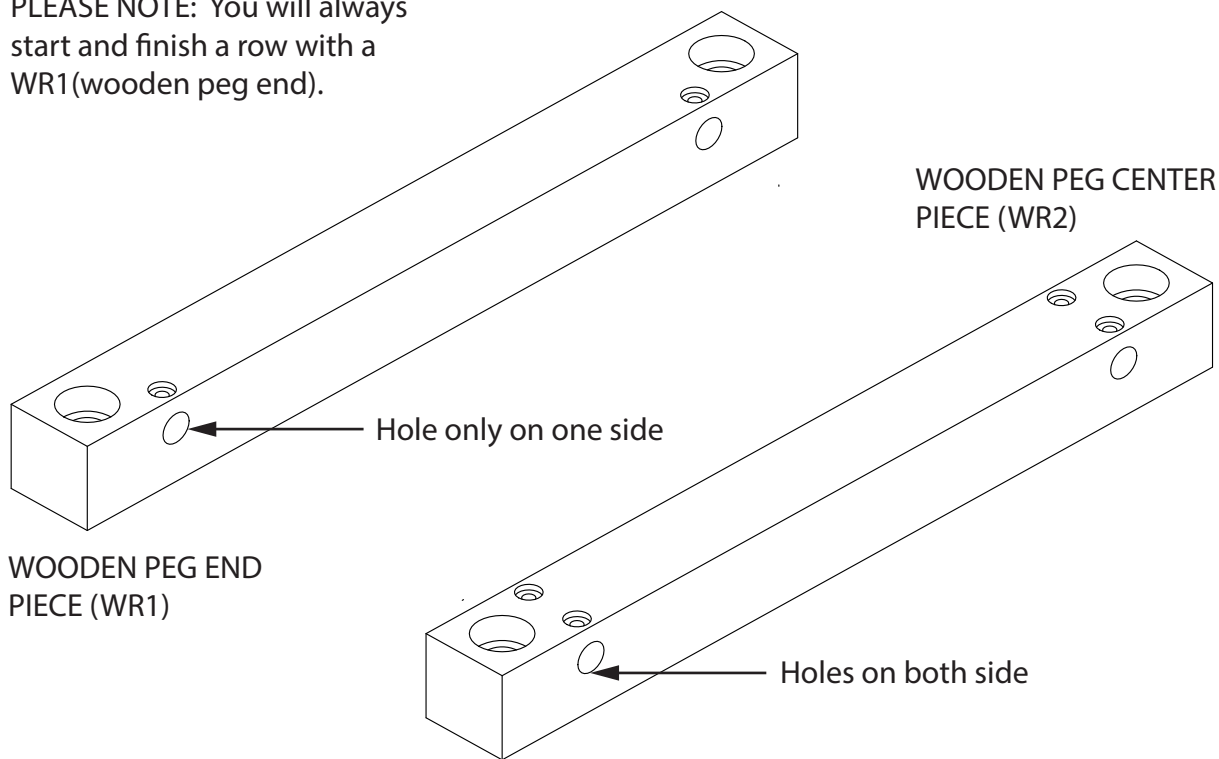




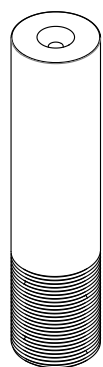
WOODEN FIXTURES AND COMPONENTS



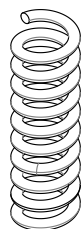
PLEASE NOTE: You will always start and finish a row with a WR1(wooden peg end).



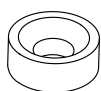
FLOOR MOUNT FIXTURE



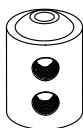
FM2



FM3



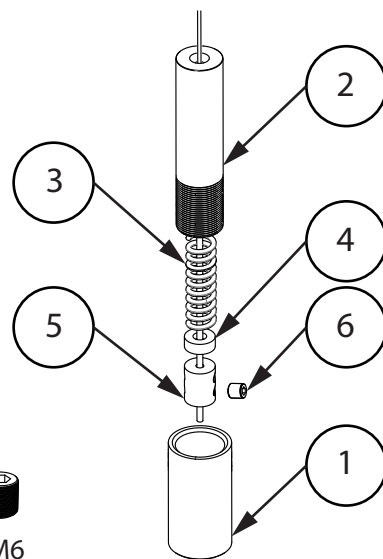
FM4



FM5



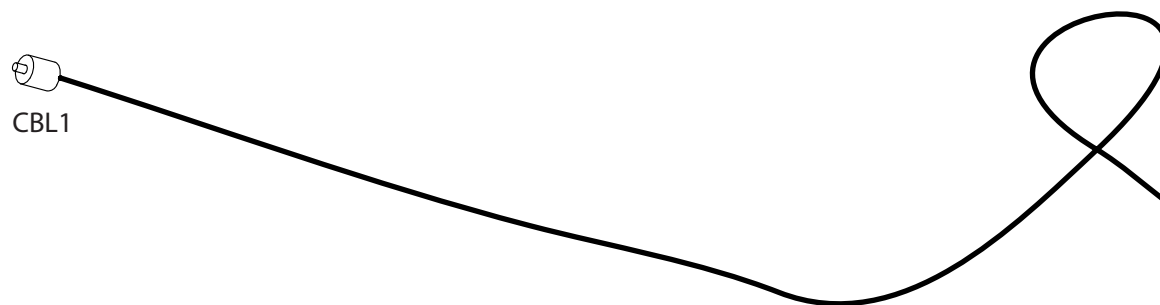
FM6



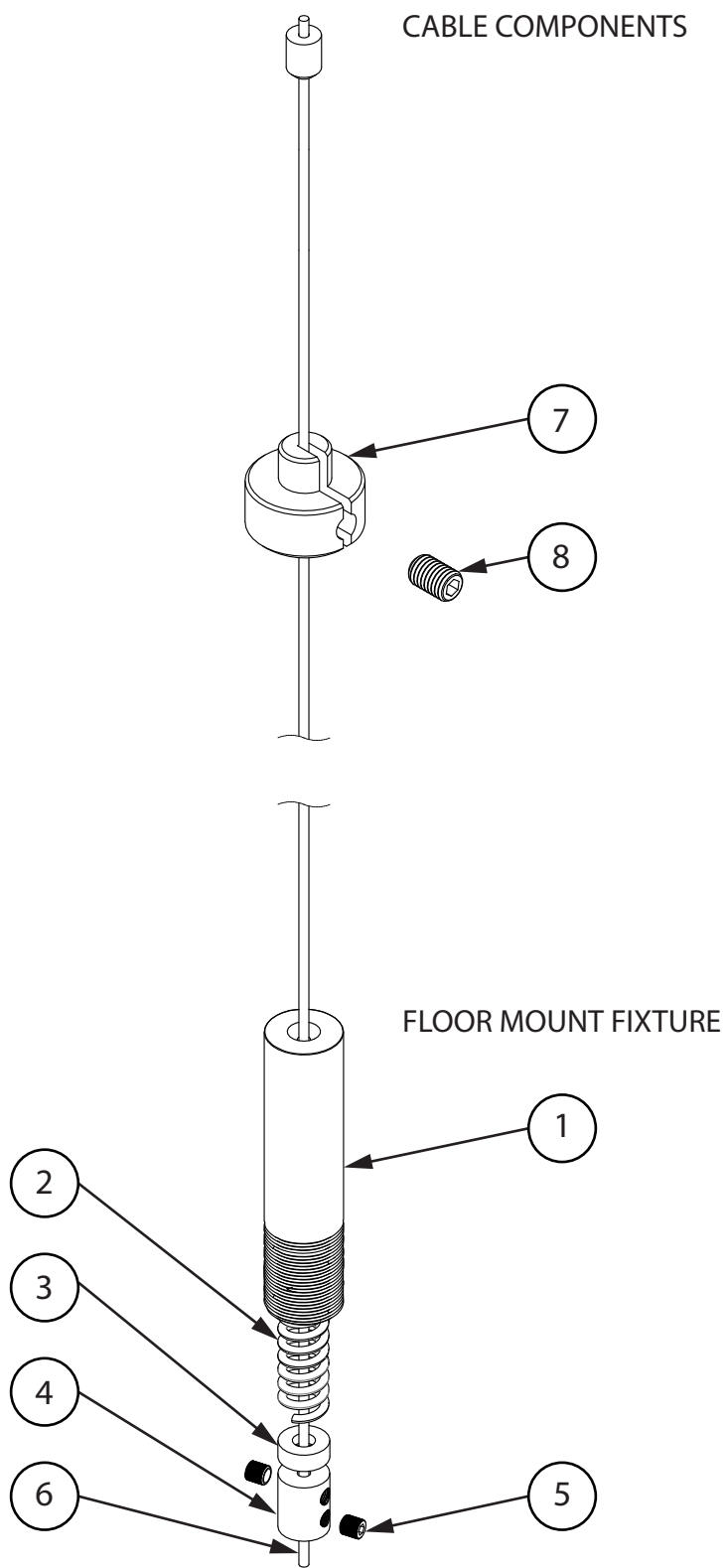
TENSION CABLE



CBL1

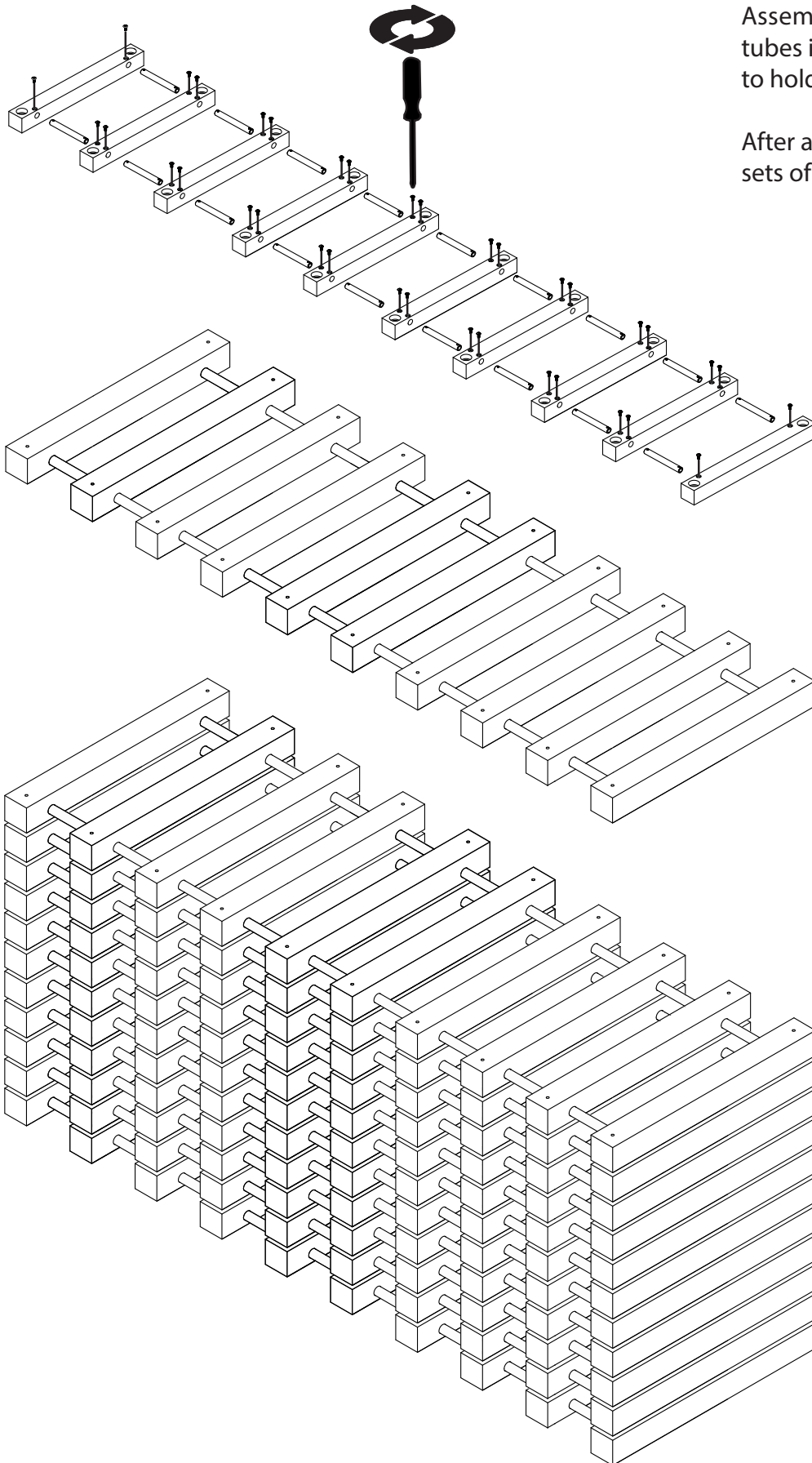


WOODEN PEG SUPPORT FIXTURE



1

ASSEMBLE SHELVES



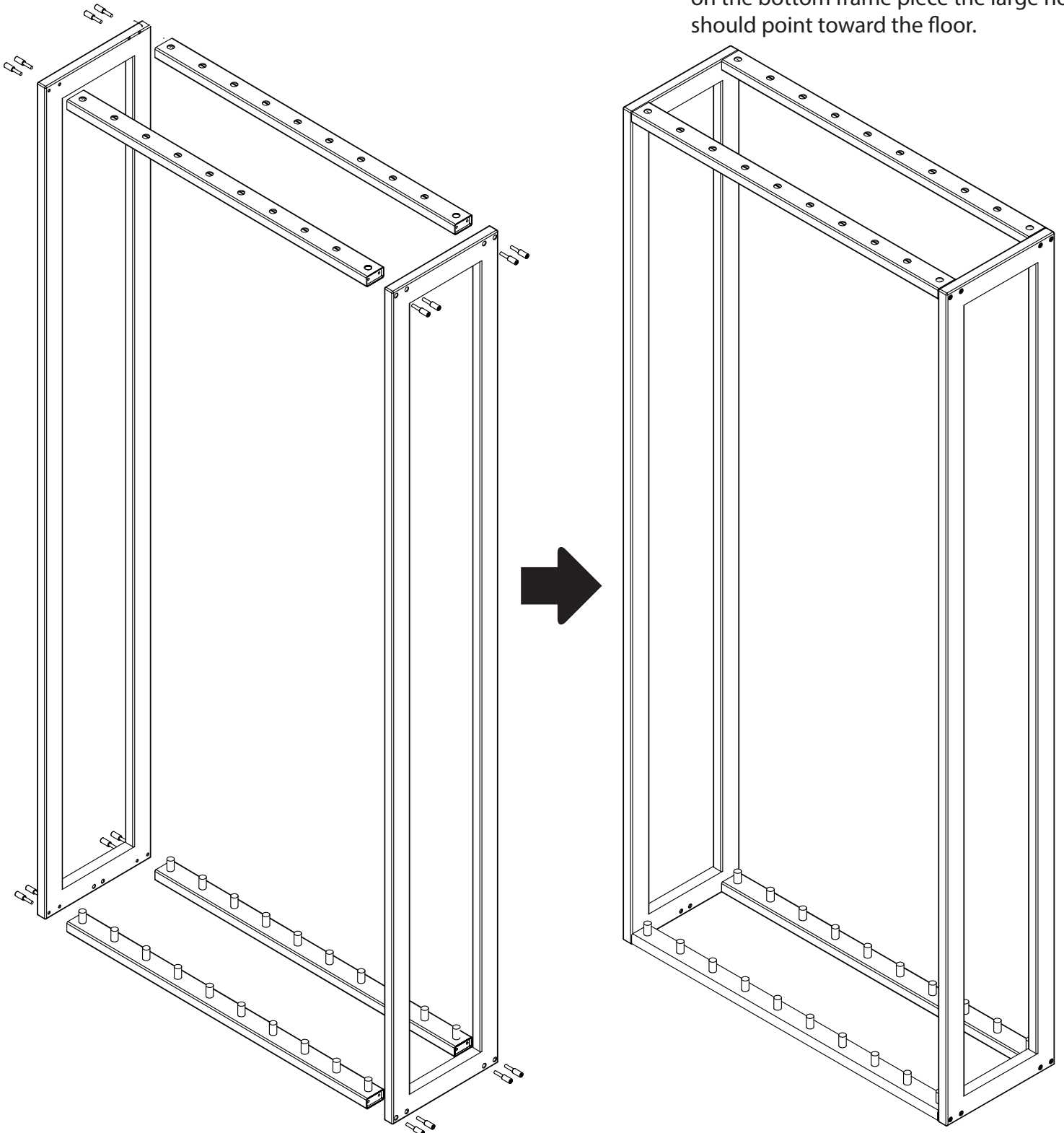
Assemble 9 bottle shelves by inserting WR5 tubes into wooden pegs and use WR6 screws to hold tubes in position as shown below.

After assembly you should have a total of 12 sets of 9 bottle shelves.

2

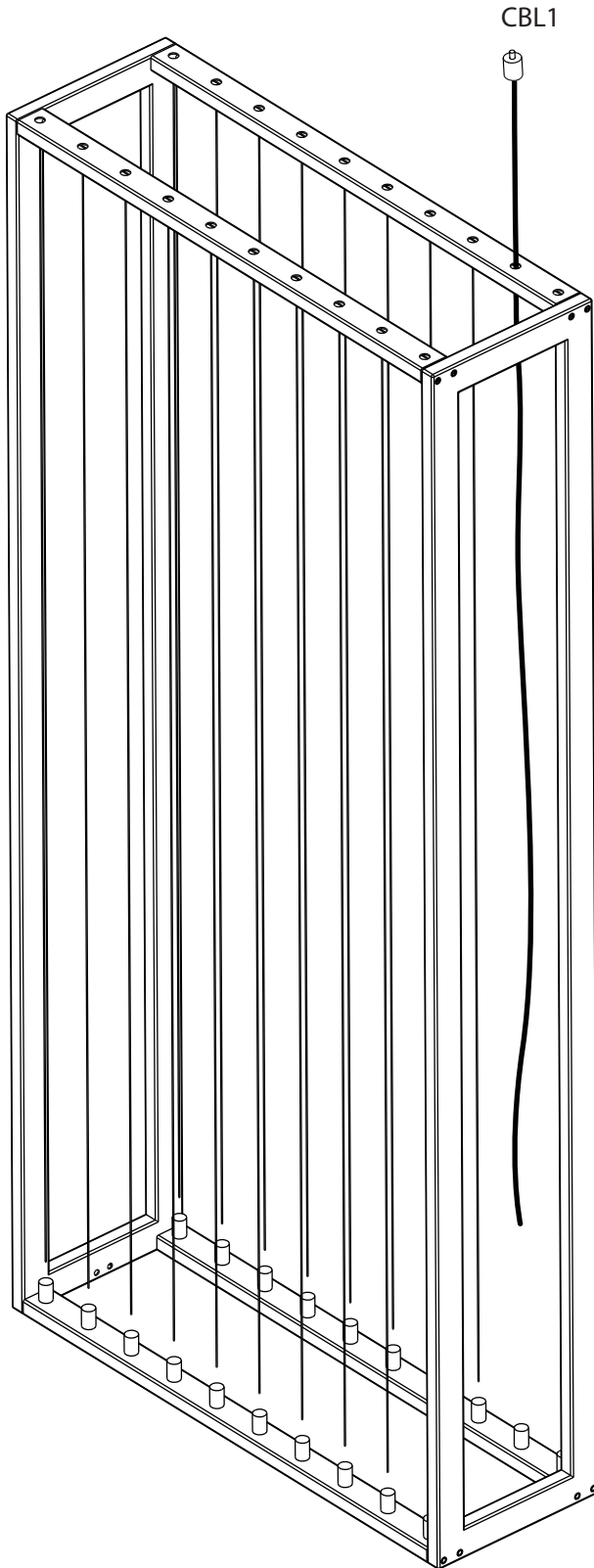
ASSEMBLE FREESTANDING FRAME

Assemble frame with Allen bolts as shown below. On the top frame piece the large holes should point toward the ceiling. And on the bottom frame piece the large holes should point toward the floor.



3

INSERT CABLES IN TOP FRAME PIECE

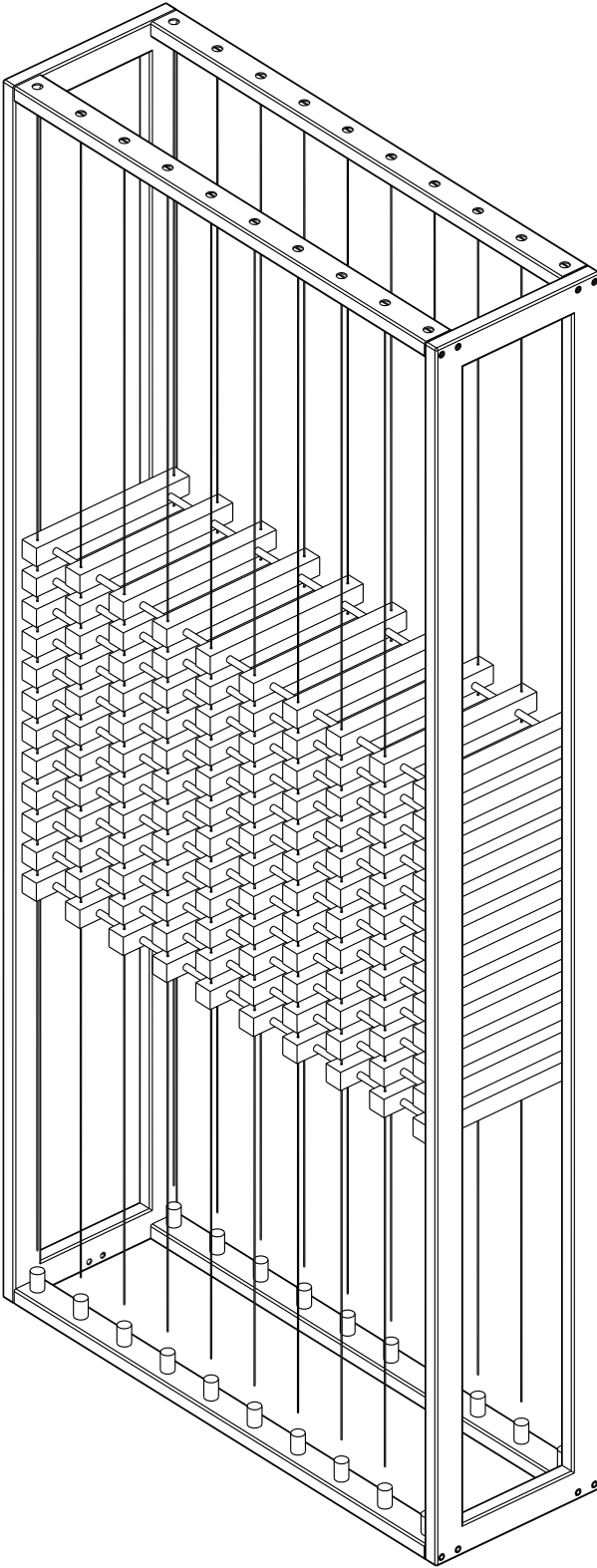


Insert all 18 crimped cables through the large holes on the top of frame pieces and pull the them through the small holes on the bottom .

4

SLIDE SHELVES ONTO FRAME

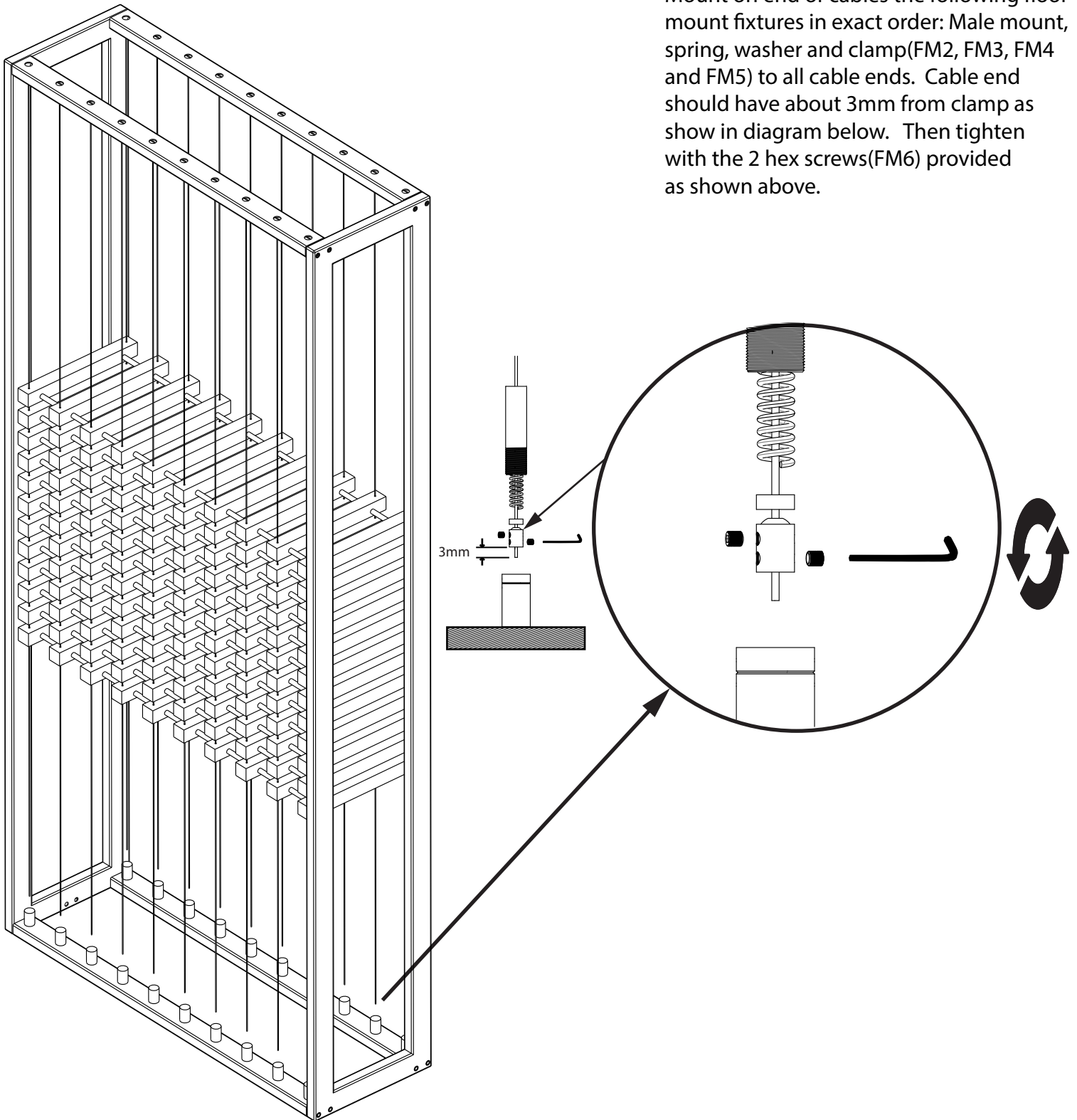
Slide all shelves onto the the free standing frame by running cables through the small holes on the top of the wooden pegs. The large drilled holes on the pegs should point downwards.

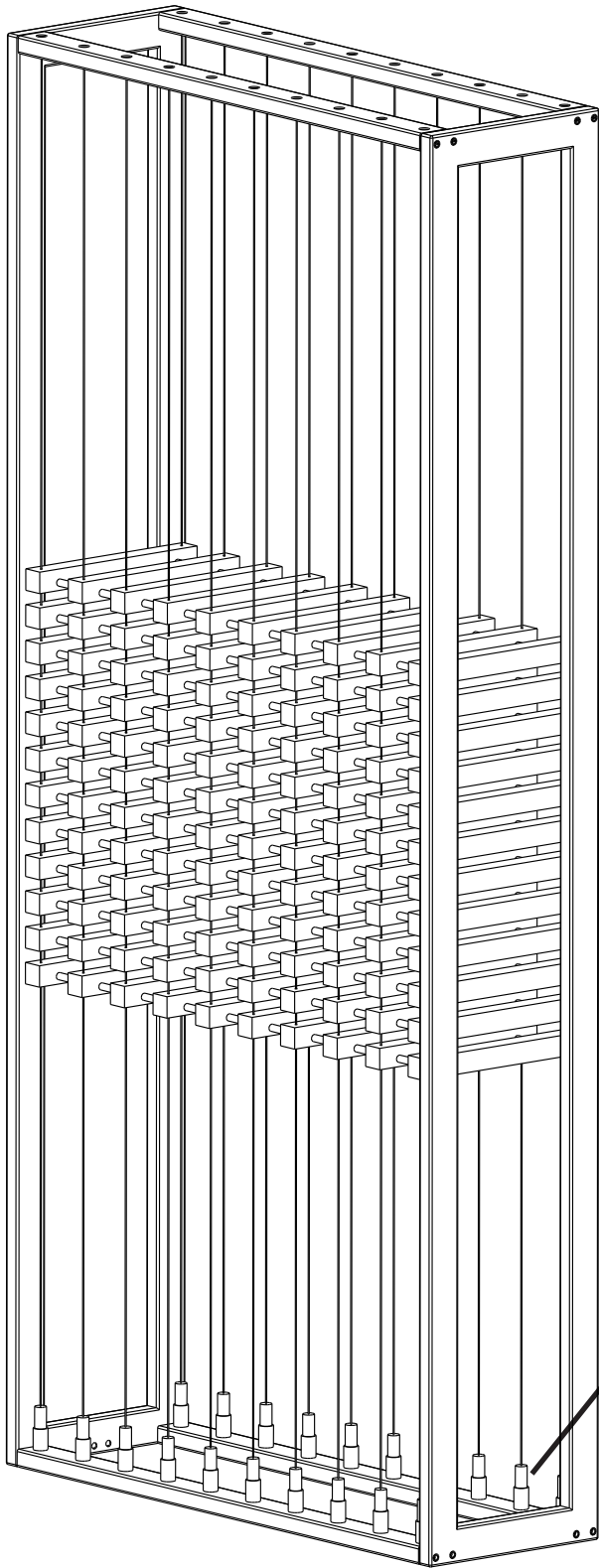


5

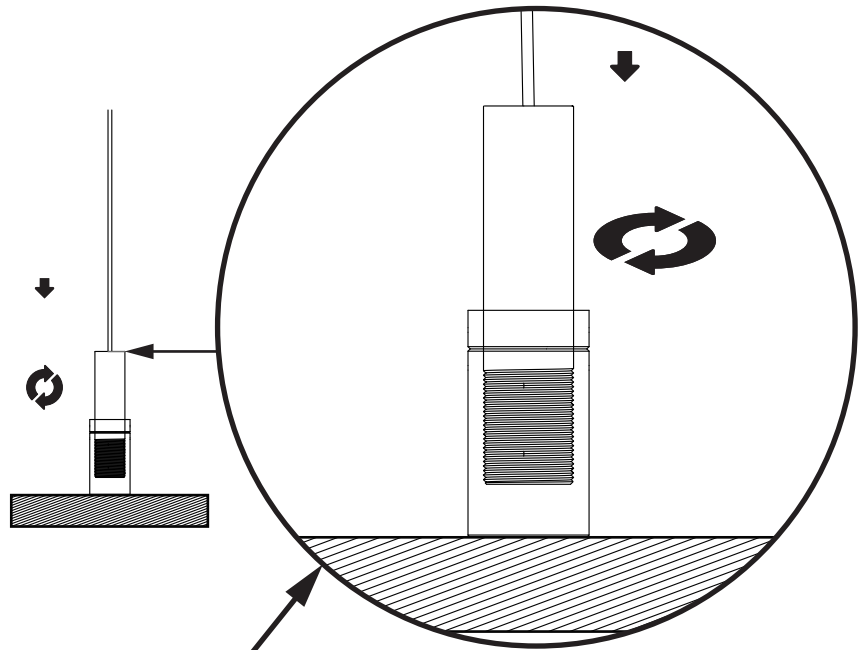
ASSEMBLE BOTTOM ANCHORS

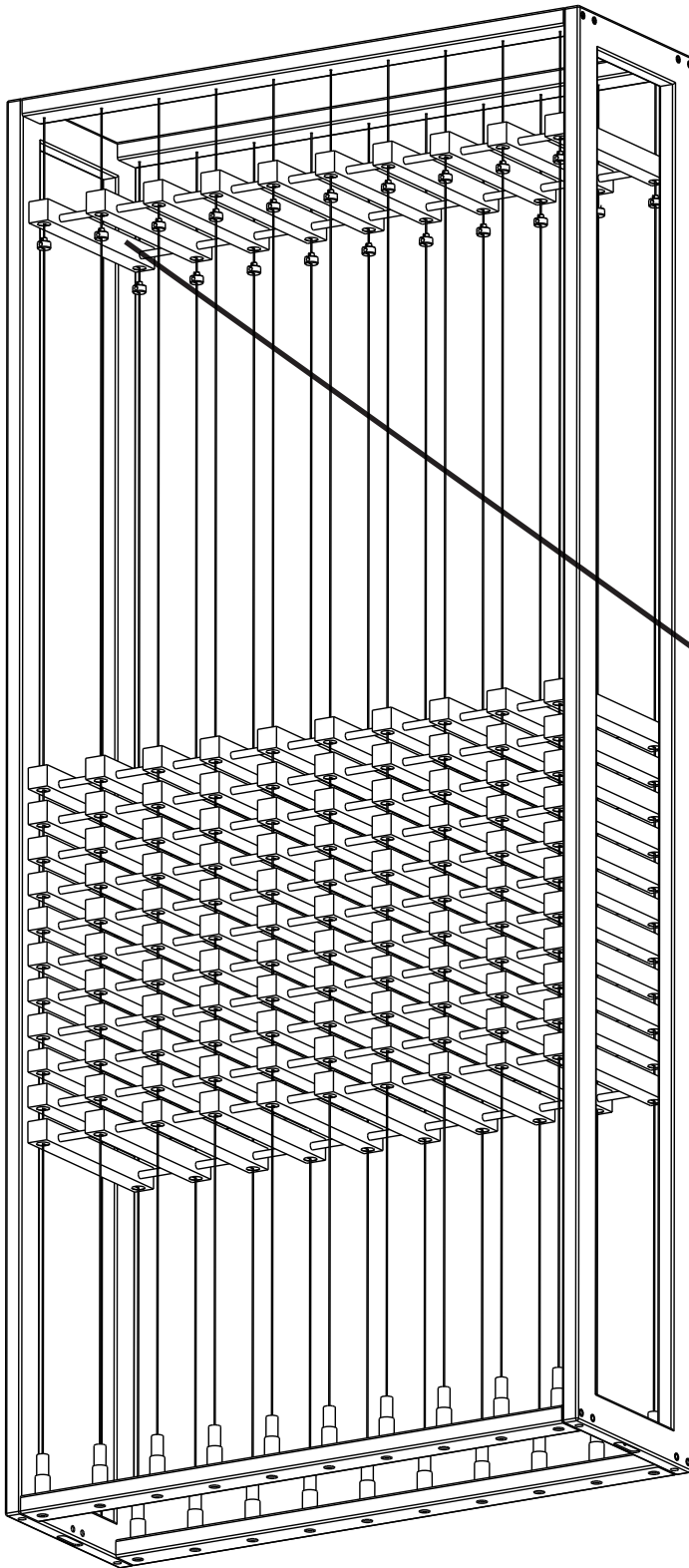
Mount on end of cables the following floor mount fixtures in exact order: Male mount, spring, washer and clamp(FM2, FM3, FM4 and FM5) to all cable ends. Cable end should have about 3mm from clamp as show in diagram below. Then tighten with the 2 hex screws(FM6) provided as shown above.



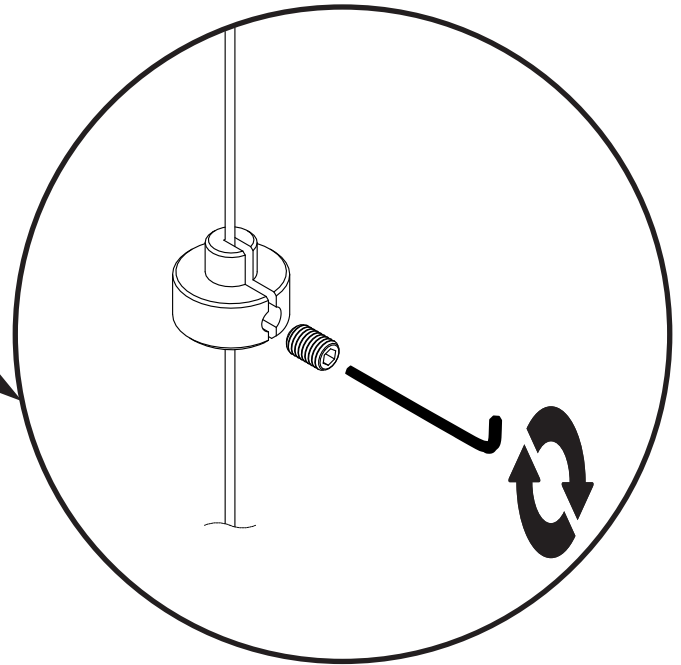


Tighten bottom anchors by screwing the male anchor piece (the slim piece with the spring inside) into the female anchor piece until cables are in tension.

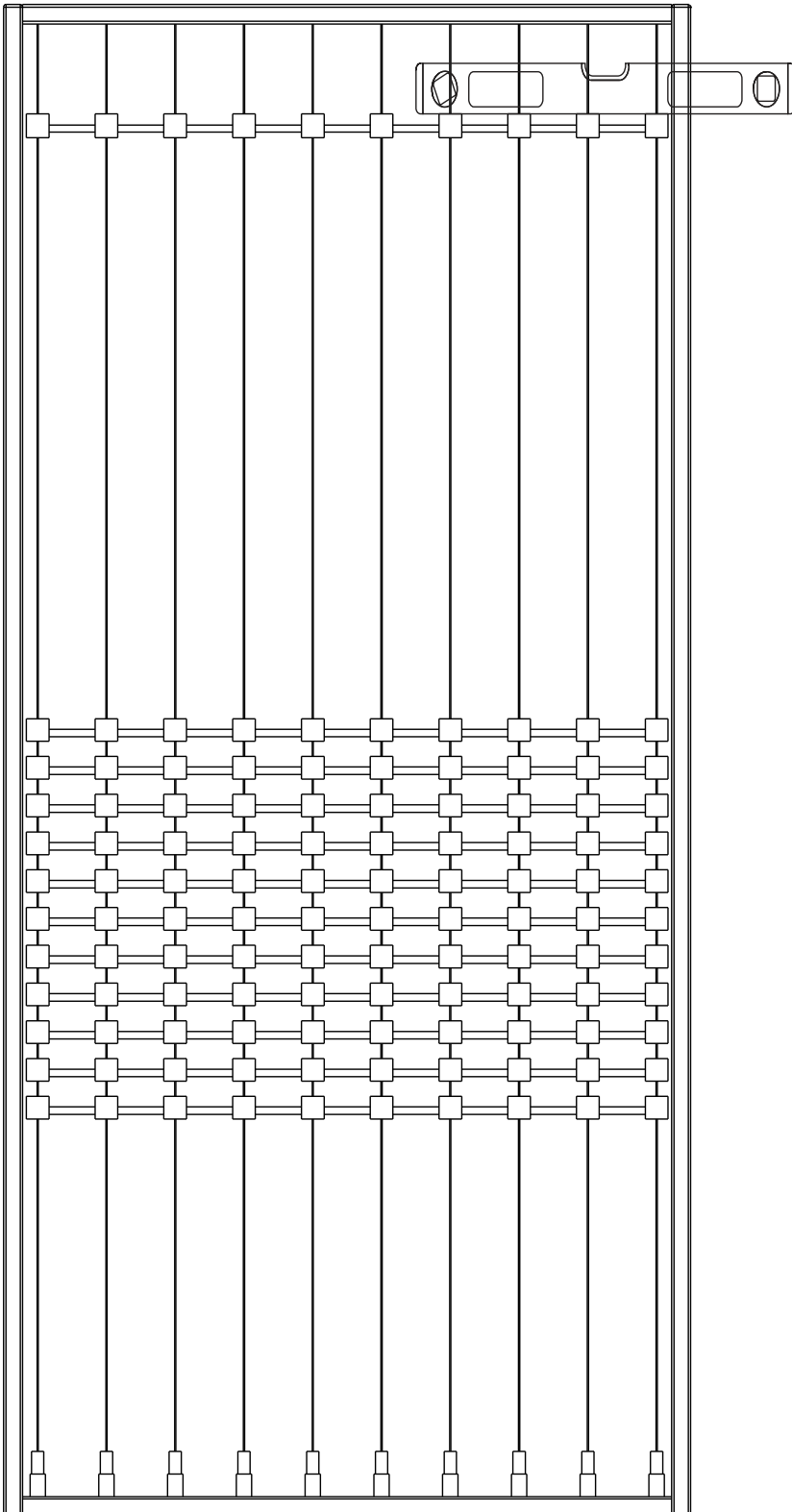




Position each shelf one at the time by lift them up above the position where you want to place each shelf. Hold each shelf in place while attaching peg supports on the cables below in the position where you want each shelf to rest and use WR3 to keep in position.



Use a leveler tool to ensure the shelves are horizontally levelled. Adjust WR3 if needed.



ENJOY!

