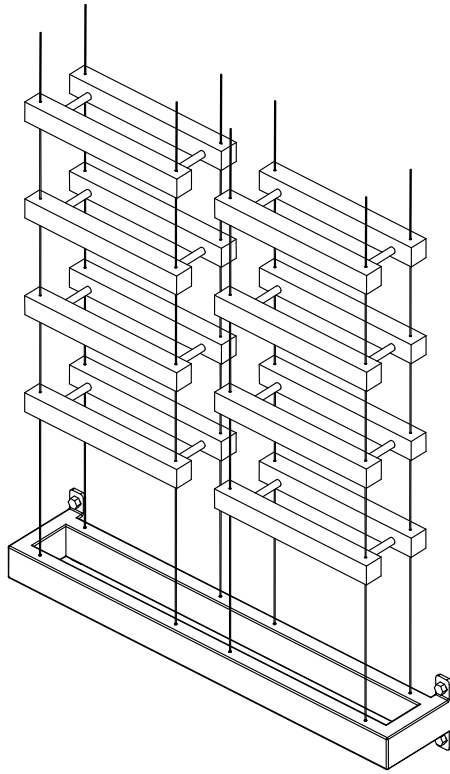


# BUOYANT WM2L1 BOTTOM WALL MOUNT INSTALLATION STEPS

## ONE BOTTLE DEEP DOUBLE COLUMN LABEL VIEW CONFIGURATION

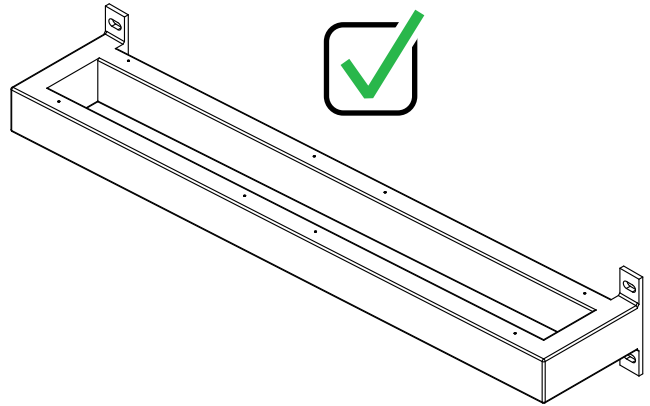
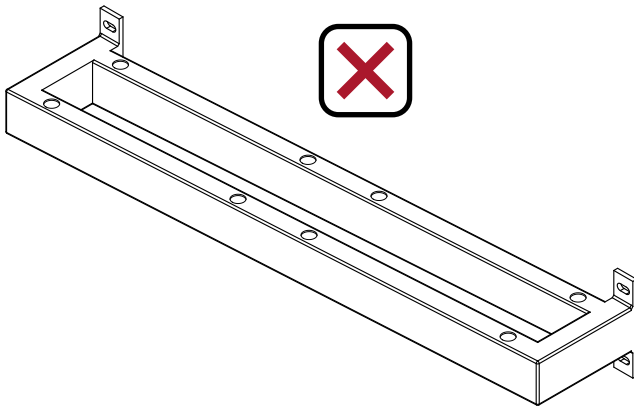


1

## FLIP THE WALL MOUNT

Flip the wall mount so that the small holes point toward the ceiling, and large holes point downward.

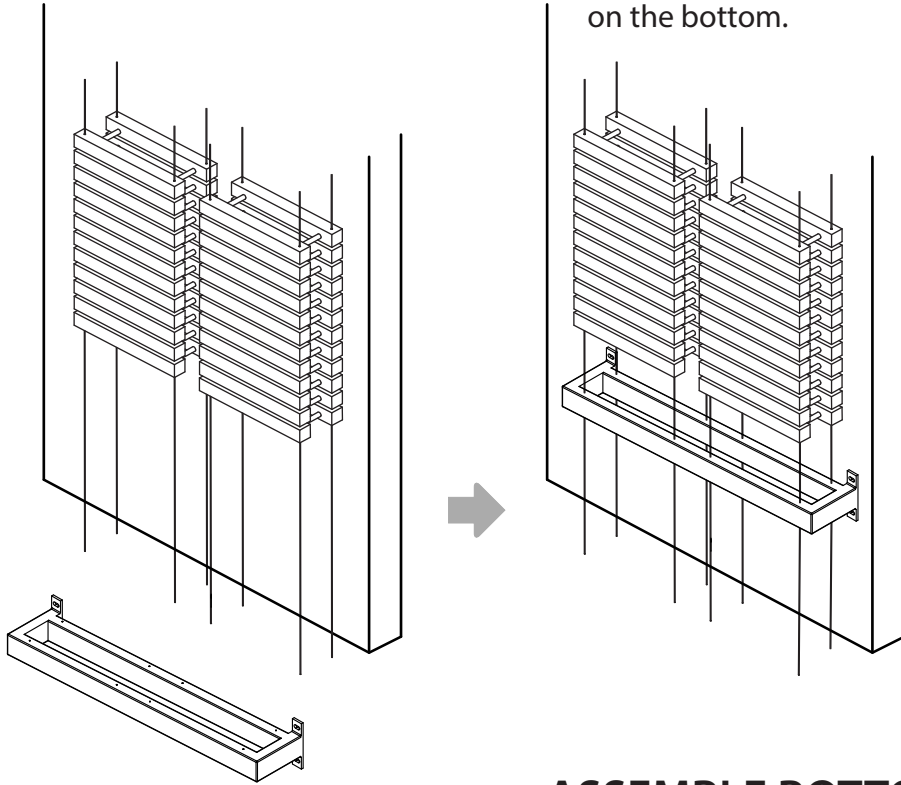
**PLEASE NOTE: THIS POSITION OF THE WALL MOUNT ONLY APPLIES WHEN INSTALLED AS A BOTTOM WALL MOUNT.**



2

## INSERT CABLES INTO BOTTOM BRACKET

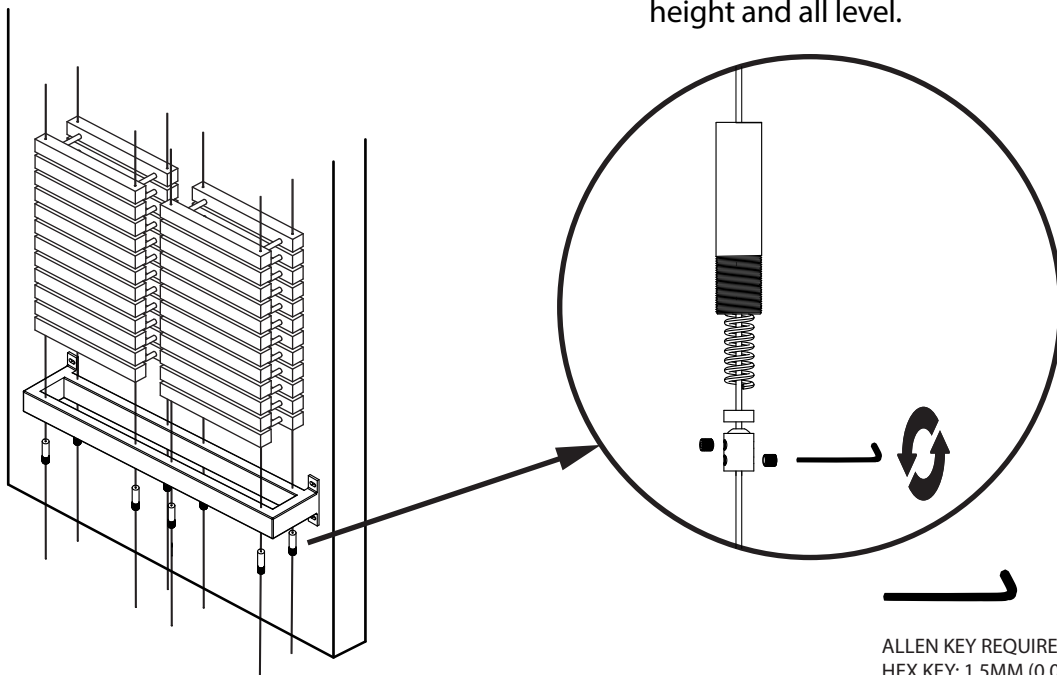
Insert all 8 crimped cables through the small holes on top of the bottom wall mount bracket and pull them through the large holes on the bottom.



3

## ASSEMBLE BOTTOM ANCHORS

Mount the male piece of the anchor (FM2) on the cables along with the spring (FM3) and FM4. Clamp FM5 onto cables using 2 hex screws (FM6) so that they are all at the desired height and all level.



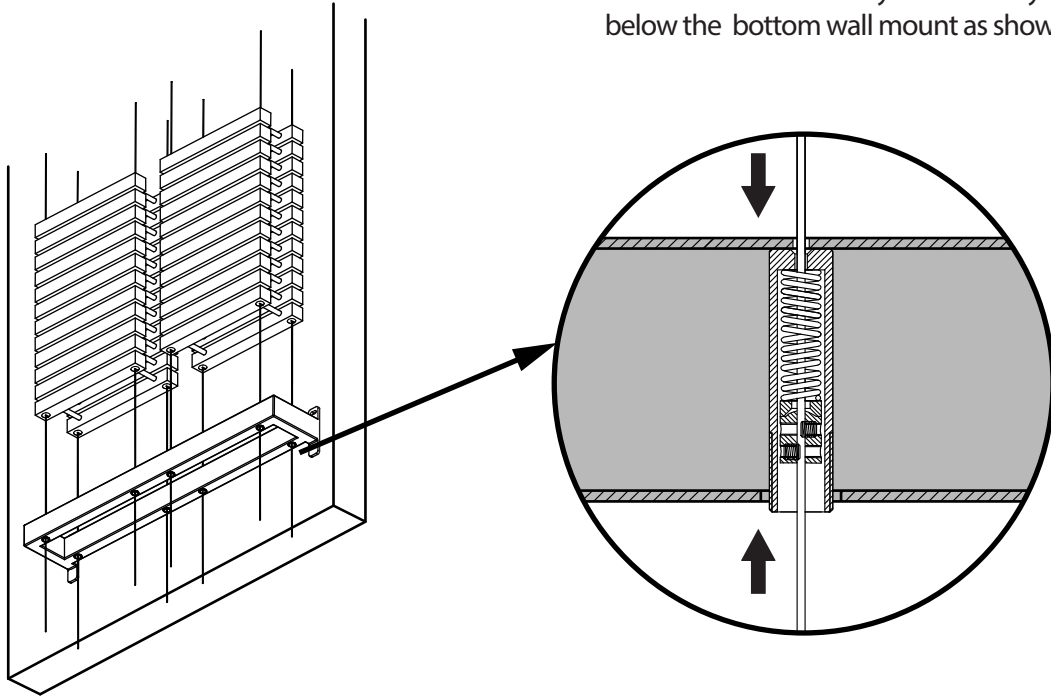
ALLEN KEY REQUIRED:  
HEX KEY: 1.5MM (0.059" INCHES)

4

## SLIDE ANCHOR ASSEMBLY

Slide the anchor assembly inside the large holes of the bottom wall mount.

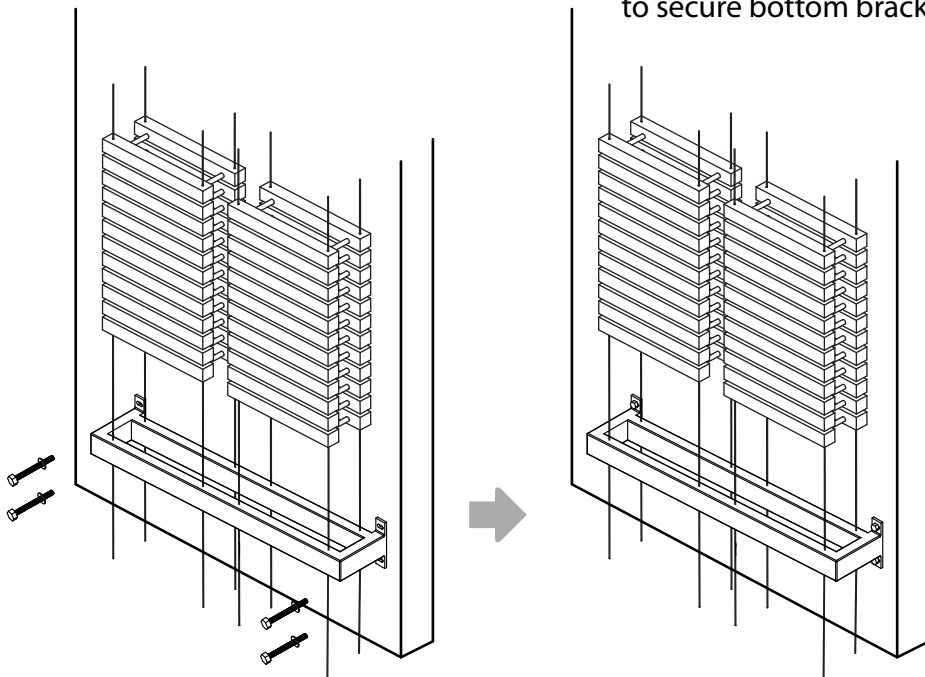
NOTE: Anchor assembly should only extend 2mm below the bottom wall mount as shown below.



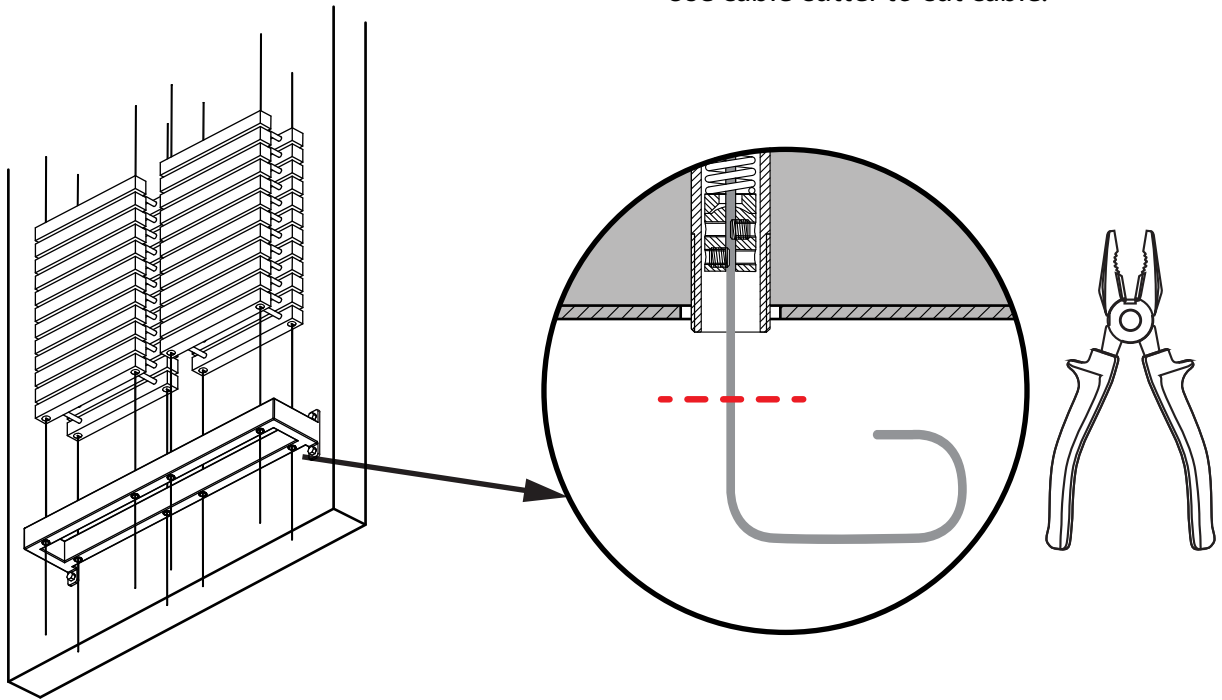
5

## SECURE BOTTOM BRACKET TO THE WALL

Before you pull down your installer can draw a level line on the wall to ensure that the wall mount screwed into the wall leveled. Use the appropriate screws, bolts and washers (4 sets) to secure bottom bracket to wall.



Cut cables below the bottom wall mount. Be sure you do not cut the cable too short. NOTE: Use cable cutter to cut cable.



Proceed to the main Installation Guide and follow the **POSITION EACH SHELF** step.

