

DROP-ON SINKS



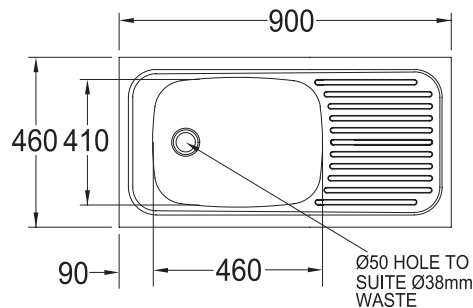
PLEASE NOTE Drop-On Sinks do not include Waste Fittings. 38mm Waste Fitting sold separately.

SA94

Specification

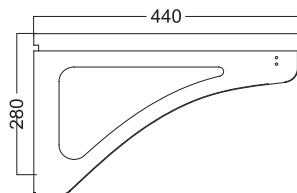
Franke SA94 Drop On Sink, unit to be manufactured from Stainless Steel with a satin finish, and supplied with a 38mm PVC waste fitting and plug... (please specify, sold separately). Sink to be mounted onto kitchen counter top/cupboard (counter top/cupboard elsewhere measured) or alternatively to be mounted onto wall fixing brackets (please refer to fixing bracket options, sold separately).

SA94



Sink Dimensions:	900L x 460W mm
Bowl Dimensions:	460L x 410W x 120D mm
Product Code:	1030004

OPTIONAL FIXING BRACKETS



FALCON BRACKET FOR DROP-ON SINKS

Falcon Brackets (Patent No.95/4163)

Wall fixing brackets 440L x 280W mm to be manufactured from galvanised mild steel.

Dimensions:	440L x 280W mm
Product Code:	1030011 (Pair)

SUGGESTED ACCESSORIES



Projectline Single Lever
Product Code: 1150021



PVC 35mm Waste & Plug
Product Code: 1120017