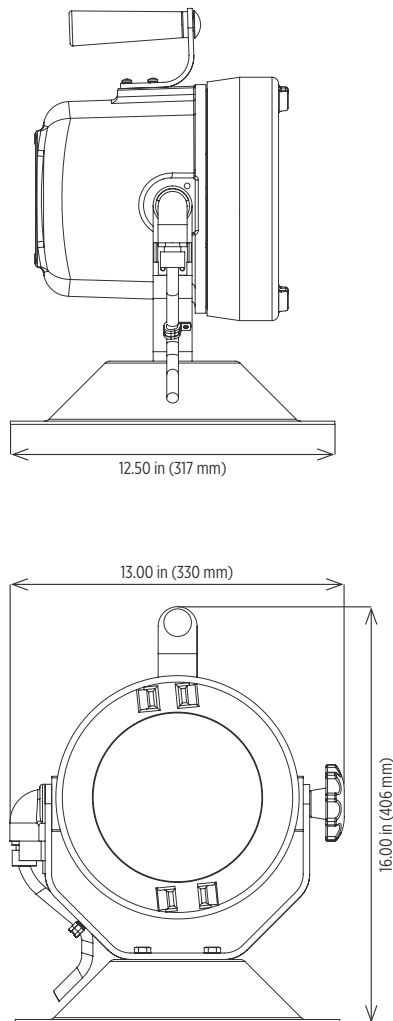


Portable Explosion-proof LED Floodlight



Explosion-proof portable LED floodlight rated for hazardous and wet locations
For use in chemical plants, drilling rigs, refineries and other hazardous locations
LED technology increases efficiency, eliminates maintenance and supports green initiatives

Dimensions



Specifications

Construction	Marine grade cast aluminum shell, cover and sealed fittings Marine grade wrought aluminum handle bracket Threaded joints are lubricated with non-drying petrolatum
Finish	Yellow thermoset powder coat
Hardware	Stainless steel
Lens	¾ inch thick tempered glass
Light source	Lumileds Luxeon light emitting diodes (LED) 39W, 2540 lumens (fixture) Conformal coated modules Flood (45°) and spot (28°) optics available CCT 5400-5600K 50,000 hour rated life
Power source	120-277V, 50-60Hz Fully potted (2 per fixture) Replaceable Over-voltage, over-current and short-circuit protection
Power factor	> 0.9
Wiring	Supplied with 50 feet of 16/3 type SOW cord Wire entrance is factory sealed
Ambient operating temperature	-20°C to +40°C
Mounting	Portable base has three holes Marine grade wrought aluminum base and harp
Weight	Fixture: 26.5 lb (12.0 kg) Packaged: 29.2 lb (13.2 kg)
Warranty	5 years

Compliances

ETL/cETL Certified to:

- UL 1598 Ordinary Locations
- UL 1598A Marine Outside Type (Saltwater)
- UL 844 Suitable for Hazardous Locations
 - Class I, Division 1 Groups C & D
 - Class I, Division 2 Groups A, B, C & D
 - Class II, Divisions 1 & 2 Groups F & G
 - Class III, Divisions 1 & 2
- CSA C22.2 No. 250.0, 94.0, 213.0, 137.0, 30.0

NEMA 4X

T6 (85°C) Temperature Rating



Meets the requirements of the
Buy American Act (BAA) and/or the
American Recovery and Reinvestment Act (ARRA)



Ordering Information

Example: SLXPLED-FL

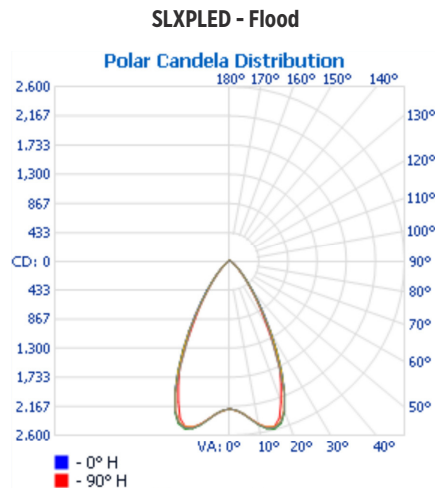
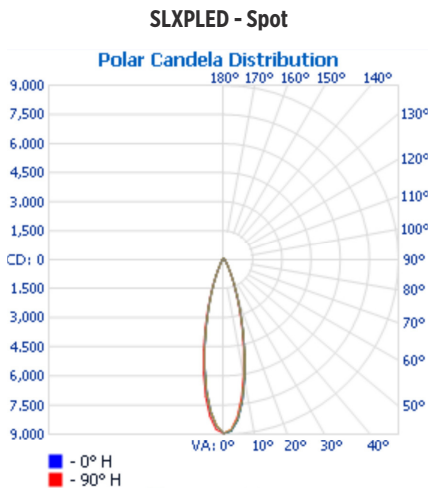
Fixture	Optic
SLXPLED	FL
	SP

Optic

FL 45° flood optic
SP 28° spot optic

Special Projects: We may be able to accommodate your special projects, so please don't hesitate to ask about additional options. Minimum order quantities and/or extended lead times will apply. Contact your Phoenix representative with specific inquiries.

Photometrics



Product design and specifications are subject to change without notice. The most current version of this specification sheet can be found on our website: www.phoenixlighting.com.