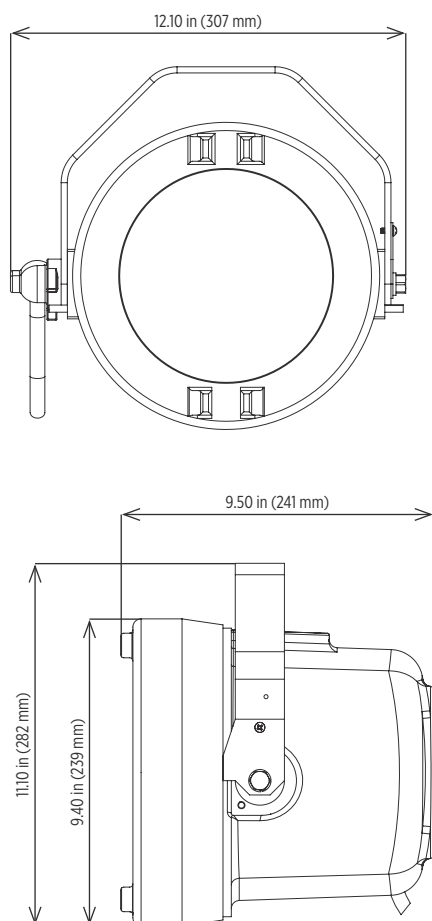


## Explosion-proof LED Floodlight



Explosion-proof LED floodlight rated for hazardous and wet locations  
For use in chemical plants, drilling rigs, refineries and other hazardous locations  
LED technology increases efficiency, eliminates maintenance and supports green initiatives

### Dimensions



### Specifications

<b>Construction</b>	Marine grade cast aluminum shell, cover and sealed fittings Threaded joints are lubricated with non-drying petrolatum
<b>Finish</b>	Yellow thermoset powder coat
<b>Hardware</b>	Zinc plated steel
<b>Lens</b>	¾ inch thick tempered glass
<b>Light source</b>	Lumileds Luxeon light emitting diodes (LED) 39W, 2540 lumens (fixture) Conformal coated modules Flood (45°) and spot (28°) optics available CCT 5400-5600K 50,000 hour rated life
<b>Power source</b>	120-277V, 50-60Hz Fully potted (2 per fixture) Replaceable Over-voltage, over-current and short-circuit protection
<b>Power factor</b>	> 0.9
<b>Wiring</b>	Three 90.00 inch (2286 mm) 16 gauge stranded leads Wire entrance is factory sealed
<b>Ambient Operating Temperature</b>	-20°C to +40°C
<b>Mounting</b>	Marine grade wrought aluminum harp
<b>Weight</b>	Fixture: 25.0 lb (11.3 kg) Packaged: 26.5 lb (12.0 kg)
<b>Warranty</b>	5 years

### Compliances

ETL/cETL Certified to:

- UL 1598 Ordinary Locations
- UL 1598A Marine Outside Type (Saltwater)
- UL 844 Suitable for Hazardous Locations  
Class I, Division 1 Groups C & D  
Class I, Division 2 Groups A, B, C & D  
Class II, Divisions 1 & 2 Groups F & G  
Class III, Divisions 1 & 2
- CSA C22.2 No. 250.0, 94.0, 213.0, 137.0, 30.0
- Nema 4X
- T6 (85°C) Temperature Rating



Meets the requirements of the  
Buy American Act (BAA) and/or the  
American Recovery and Reinvestment Act (ARRA)



### Ordering Information

Example: SLXLED-FL

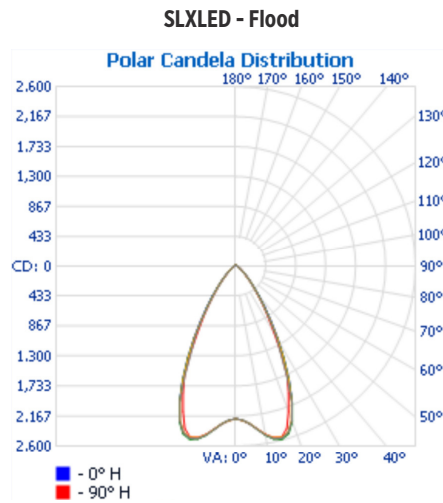
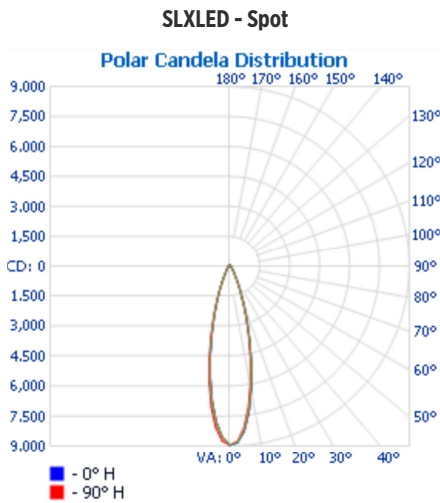
Fixture	Optic
SLXLED	FL
	SP

#### Optic

FL 45° flood optic  
SP 28° spot optic

**Special Projects:** We may be able to accommodate your special projects, so please don't hesitate to ask about additional options. Minimum order quantities and/or extended lead times will apply. Contact your Phoenix representative with specific inquiries.

### Photometrics



Product design and specifications are subject to change without notice. The most current version of this specification sheet can be found on our website: [www.phoenixlighting.com](http://www.phoenixlighting.com).