

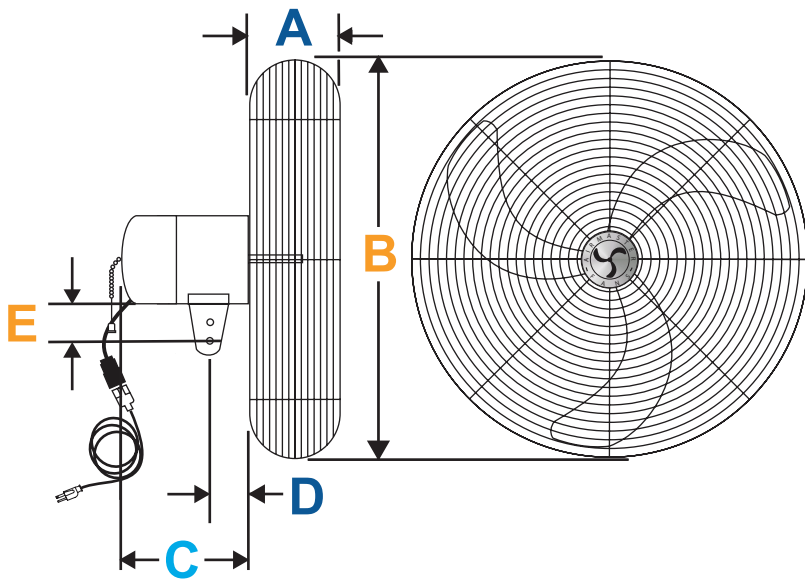
# High Temperature - Heavy Duty Air Circulators

Non-Oscillating 1/3 HP

## Features/Specifications:

- 150 degrees Farenheit Ambient
- Available in Pedestal, Wall, I-Beam, and Ceiling Mounts
- Includes cord and plug
- Totally enclosed ball bearing motor
- 30" propeller diameter
- 2 Speed
- 1 Phase
- CFM Range: 6259-8402
- RPM Range: 800-1100

## Fan Component:



Dimensions in inches.

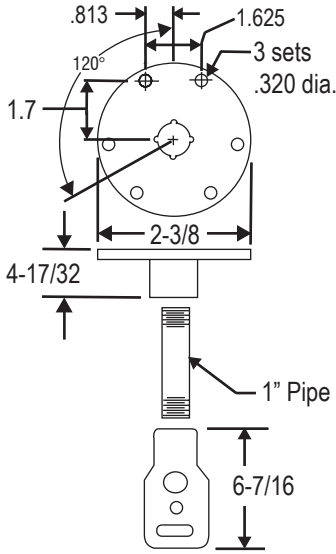
Motor Model No.	30" Fan		C	D	E
	A	B			
642-HA	5.25	33.39	10.5	2.5	5.25

## Information:

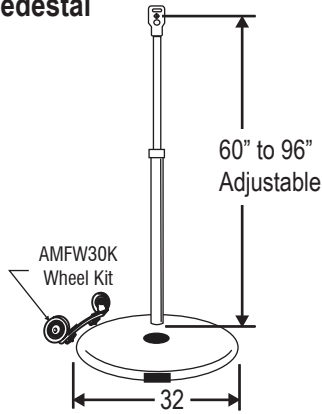
EDP #	Catalog No.	Description	Prop Dia.	HP
78079	642-HA	Motor model	-	1/3
20720	UP30LF16S-HA	Pedestal	30"	1/3
20721	UP30LW16-S8-HA	Wall Bracket	30"	1/3
20722	UP30LI16-S-HA	I-Beam Mount	30"	1/3
20723	UP30LS16-S-HA	Ceiling Mount	30"	1/3

**Mounting Options:** Dimensions in inches

**Ceiling Mount**



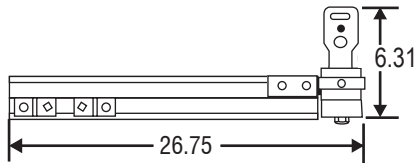
**Pedestal**



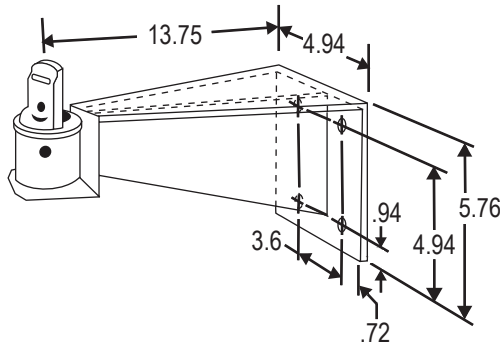
**Accessories:**



**I-Beam Mount**



**Wall Bracket**



**Ordering:**

Fan No.	EDP #	Qty.	Catalog No.	Comments

Project		Location	
Engineer		Contractor	

Submitted by		Date		Approved by		Date	
--------------	--	------	--	-------------	--	------	--