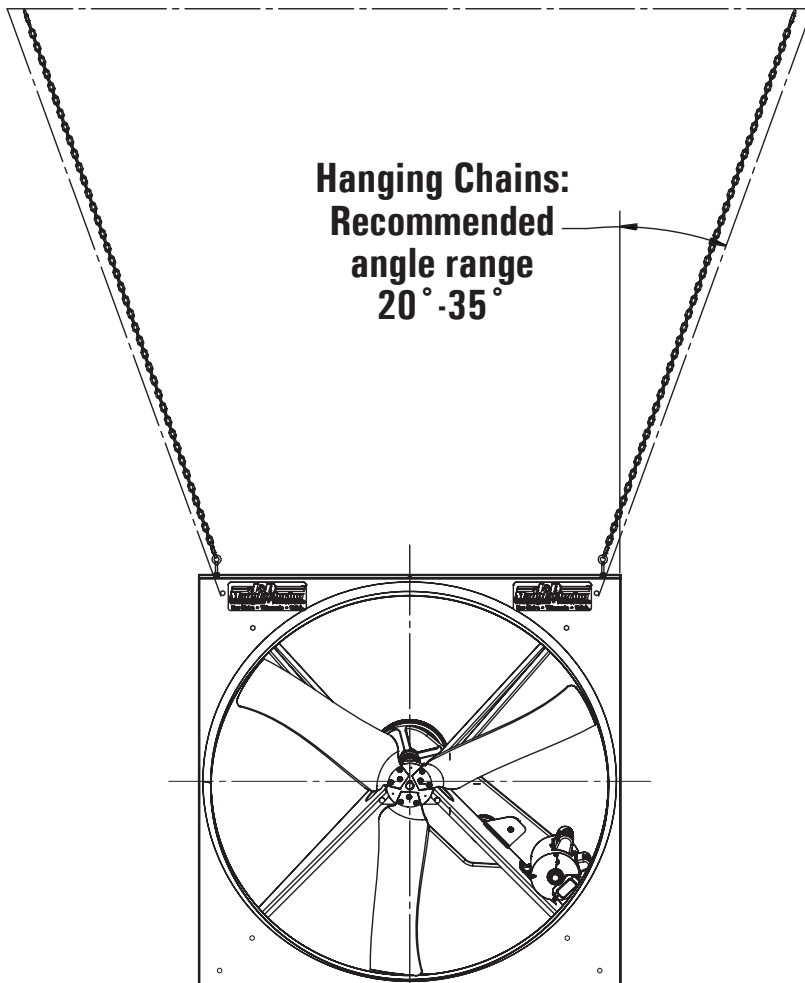


GUIDELINES FOR SUSPENDING A PANEL FAN WITH CHAINS

For optimum control and adjust-ability J&D Manufacturing's recommended method of installing a panel fan is to utilize a rigid mount. A less desirable though sometimes unavoidable option is suspending your panel fan by chains. The below diagrams are recommended guidelines for suspending a panel fan with chains in an effort to decrease sway and direct airflow.

3 Chain Minimum - 2 to hang fan and at least 1 to support and angle fan

Front View



Side View

