

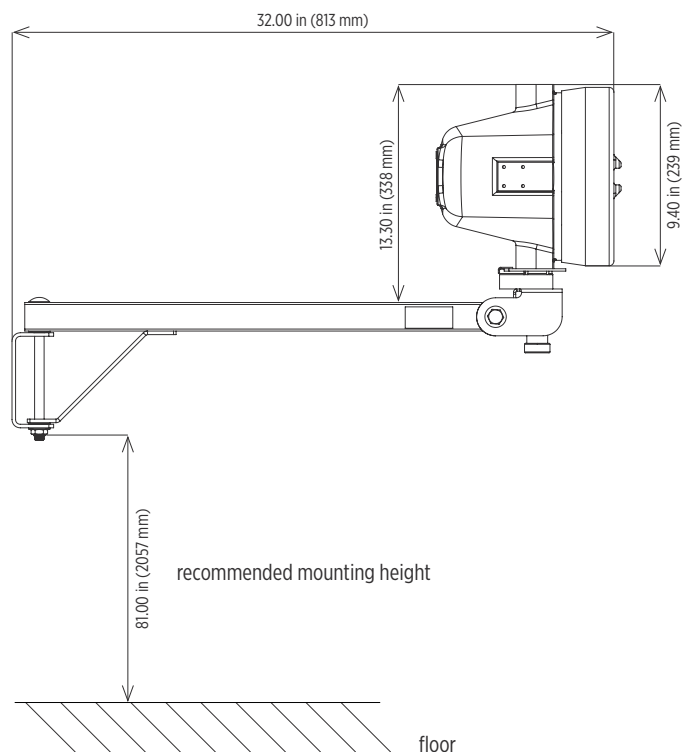
Explosion-proof LED task light rated for hazardous and wet locations

Maximum versatility with spot and flood optic options

For use in chemical plants, drilling rigs, refineries and other hazardous locations

LED technology increases efficiency, eliminates maintenance and supports green initiatives

Dimensions



Specifications

Construction	Corrosion-resistant, copper-free cast aluminum shell and cover
Finish	Yellow thermoset powder coat
Hardware	Zinc plated
Lens	¾ inch thick tempered glass
Arm	26.00 inch swing arm made from 1.50 inch square steel tube Swings horizontally up to 180°
Joints	Threaded joints between shell and cover
Head	Head rotates up to 230° horizontally and up to 74° vertically
Light source	Lumileds Luxeon light emitting diodes (LED) 39W, flood - 2823 lumens; spot - 2886 lumens Conformal coated modules Flood (45°) and spot (28°) optics available CCT 5100K 50,000 hour rated life
Power source	120-277V, 50-60Hz Over-voltage, over-current and short-circuit protection Fully potted, replaceable (two per fixture)
Power factor	> 0.9
Wiring	6 feet (1.8 m) of wire Wire entrance is factory sealed
Ambient operating temperature	-20°C to +40°C
Mounting	3x5 inch zinc plated steel bracket
Weight	Packaged: 28.0 lb (12.7 kg)
Warranty	3 years

Compliances

ETL/cETL Certified to:

- UL 1598 Ordinary Locations
- UL 1598A Marine Outside Type (Saltwater)
- UL 844 Hazardous Locations
 - Class I, Division 1 Groups C & D
 - Class I, Division 2 Groups A, B, C & D
 - Class II, Divisions 1 & 2 Groups F & G
 - Class III, Divisions 1 & 2
 - NEMA 4X
- CSA C22.2 No. 250.0



Ordering Information

Example: DLXLED-FL

Fixture	Optic
DLXLED	FL
	SP

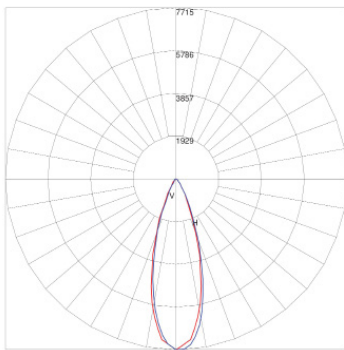
Optic

FL 45° flood optic
SP 28° spot optic

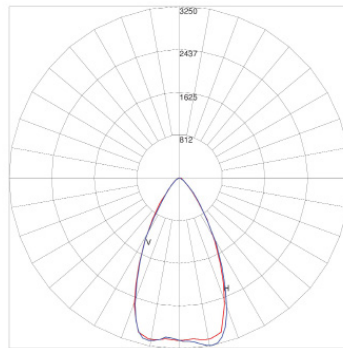
Special Projects: We may be able to accommodate your special projects, so please don't hesitate to ask about additional options. Minimum order quantities and/or extended lead times will apply. Contact your Phoenix representative with specific inquiries.

Photometrics

DLXLED - Spot



DLXLED - Flood



Product design and specifications are subject to change without notice. The most current version of this specification sheet can be found on our website: www.phoenixlighting.com.