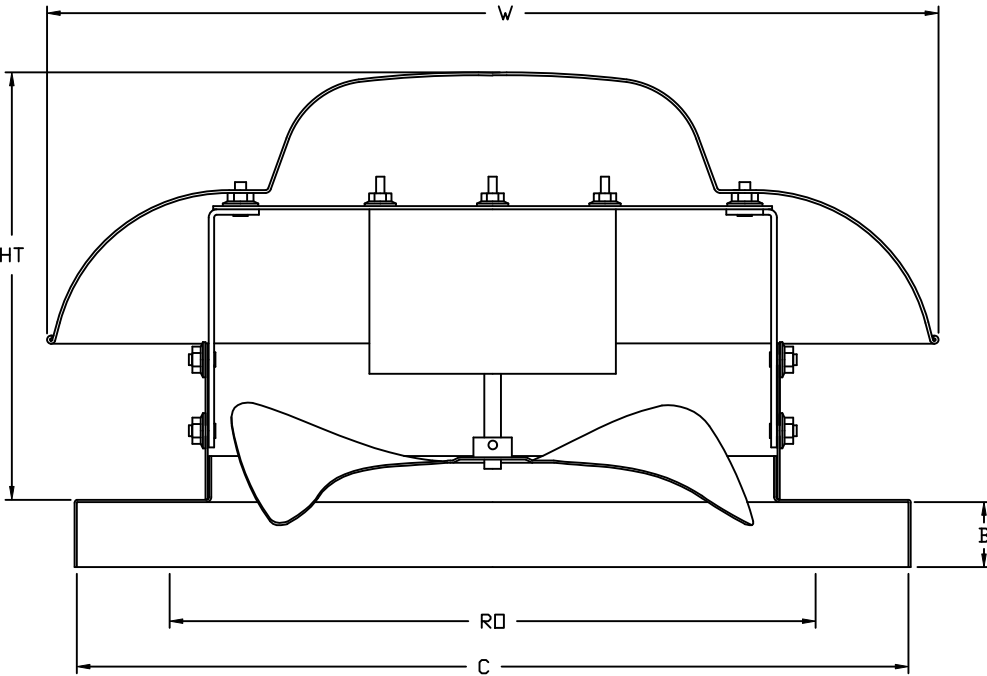


DDAR SERIES RADIAL EXHAUST FANS

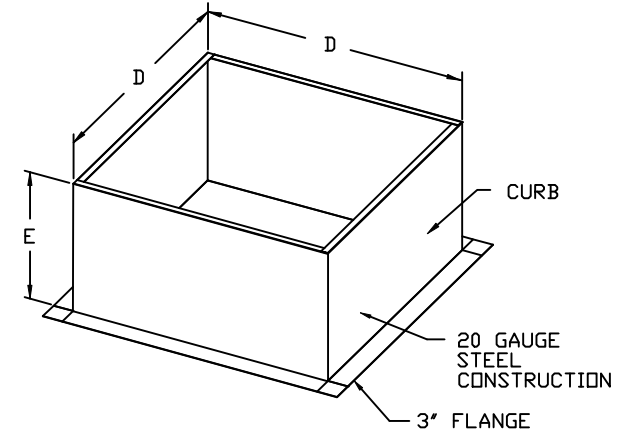


FEATURES:

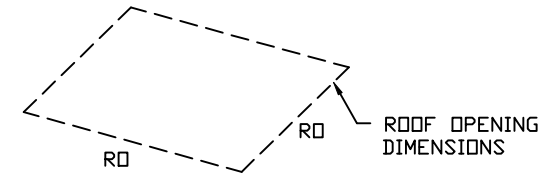
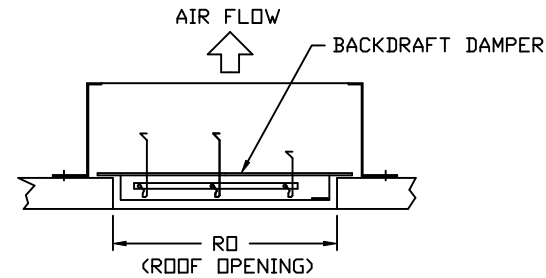
- ROOF MOUNTED FANS
- UL705
- AMCA AIR CERTIFIED
- THERMAL OVERLOAD PROTECTION
- STANDARD BIRD SCREEN
- SAFETY DISCONNECT

OPTIONS:

- HINGED FAN
- PITCHED CURB
- INSULATED CURB
- BACKDRAFT DAMPER

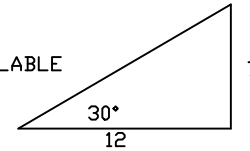


BACKDRAFT DAMPER INSTALLATION



PITCHED CURBS ARE AVAILABLE FOR PITCHED ROOFS.

SPECIFY PITCH:
EXAMPLE: 7/12 PITCH = 30° SLOPE



**DDAR DIRECT DRIVE
AXIAL RADIAL EXHAUST FANS DIMENSIONAL DATA**

FAN MODEL	HT	W	B	C	RD	WEIGHT LB
DDAR10	9 3/4	18 5/16	2	19	13	24
DDAR12	10 1/4	20 5/16	2	19	13	32
DDAR14	12 5/8	27 5/16	2	21	16	45
DDAR18	14 3/8	33 9/16	2	26	20	67

CURB DIMENSIONAL DATA

FAN MODEL	D	E
DDAR10	17 1/2	12
DDAR12	17 1/2	12
DDAR14	19 1/2	12
DDAR18	24 1/2	12