

BLACK JACK[®]

With an unrivaled balance of airflow and mobility, Black Jack belongs in every facility. Offering a fully assembled steel frame and 25-foot (7.6-meter) power cord that fits any standard outlet, it's the durable and convenient choice for your dynamic airflow needs. Best of all, Black Jack's powerful IPX5-rated motor runs quietly and efficiently, keeping your people comfortable without distraction.



KEY FEATURES

- ▶ **Six aluminum airfoils** with winglets in an OSHA-compliant cage
- ▶ **Powerful airflow** provides coverage up to 120 feet (37 meters) away
- ▶ **Quiet, efficient EC motor** with variable speed control
- ▶ **Perfectly sized** to fit through standard interior doorways
- ▶ **Maneuvers indoors or out** with durable rubber wheels and handles
- ▶ **Arrives pre-assembled** and ready for operation

DIAMETER

6.5 FEET
(2.0 METERS)

FRAME

**OSHA-COMPLIANT STEEL CAGE
WITH ALL-TERRAIN RUBBER WHEELS**

VOLTAGE

**110-125 OR 200-240
SINGLE PHASE VAC**

WARRANTY

**UP TO
5 YEARS**

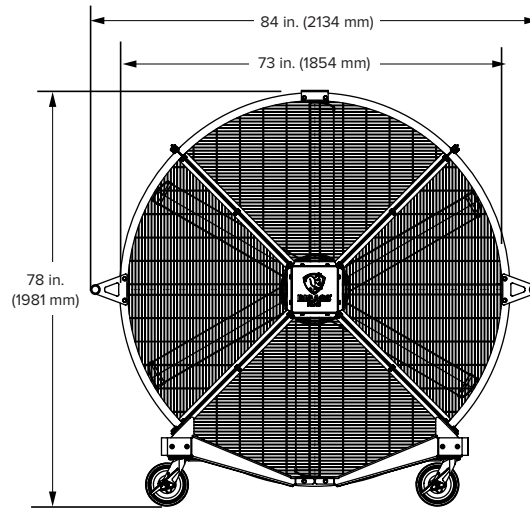
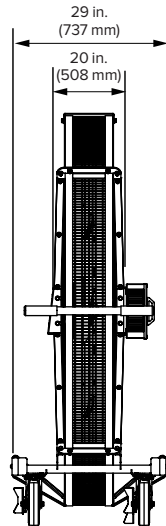


DISCOVER MORE ABOUT BLACK JACK

Learn more at bigassfans.com/black-jack
or call **877.BIG.FANS** for a free custom quote.

BLACK JACK

POWERFUL AIRFLOW THAT'S A BREEZE TO MANEUVER.

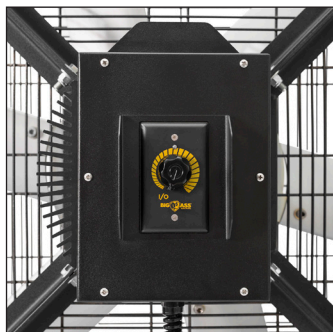


Technical Specifications

Input power and required breaker	Amperage	Wattage	Operating Temperature	Sound at max speed ¹	Weight
110–125 VAC, 50/60 Hz, 1 Φ, 15 A	7.8–7.1 A	473 W	-4°F to 131°F (-20°C to 55°C)	78.2 dBA	310 lb (141 kg)
200–240 VAC, 50/60 Hz, 1 Φ, 10 A	5.6–4.6 A	466 W			

Construction Features

Cage and Frame	Motor and Controller	Power Supply	Environment	Certifications	Colors
Preassembled 6.5 ft (2 m) steel frame OSHA-compliant cage All-terrain wheels with rubber treads	Direct drive ECM motor Variable speed control	25 ft (7.6 m) cord with plug fits standard power outlet Optional 10 ft (3 m) cord available	IPX5 for indoor or outdoor use Washdown construction	UL Standard 507 and CSA Standard 22.2 No. 113 Intertek UK CA CE	Black Custom colors available



¹ Not suitable for salt air environments.

² Fans are sound tested at maximum speed in a laboratory environment. Actual results in field conditions may vary due to sound reflecting surfaces and environmental conditions.

Lead times may vary. See full warranty for coverage information.



USA
BIGASSFANS.COM
877-244-3267

CANADA
BIGASSFANS.COM
844-924-4277

AUSTRALIA
BIGASSFANS.COM/AU
1300 244 277

SINGAPORE
BIGASSFANS.COM/SG
65 6709 8500

MALAYSIA
BIGASSFANS.COM/SG
603 5565 0888

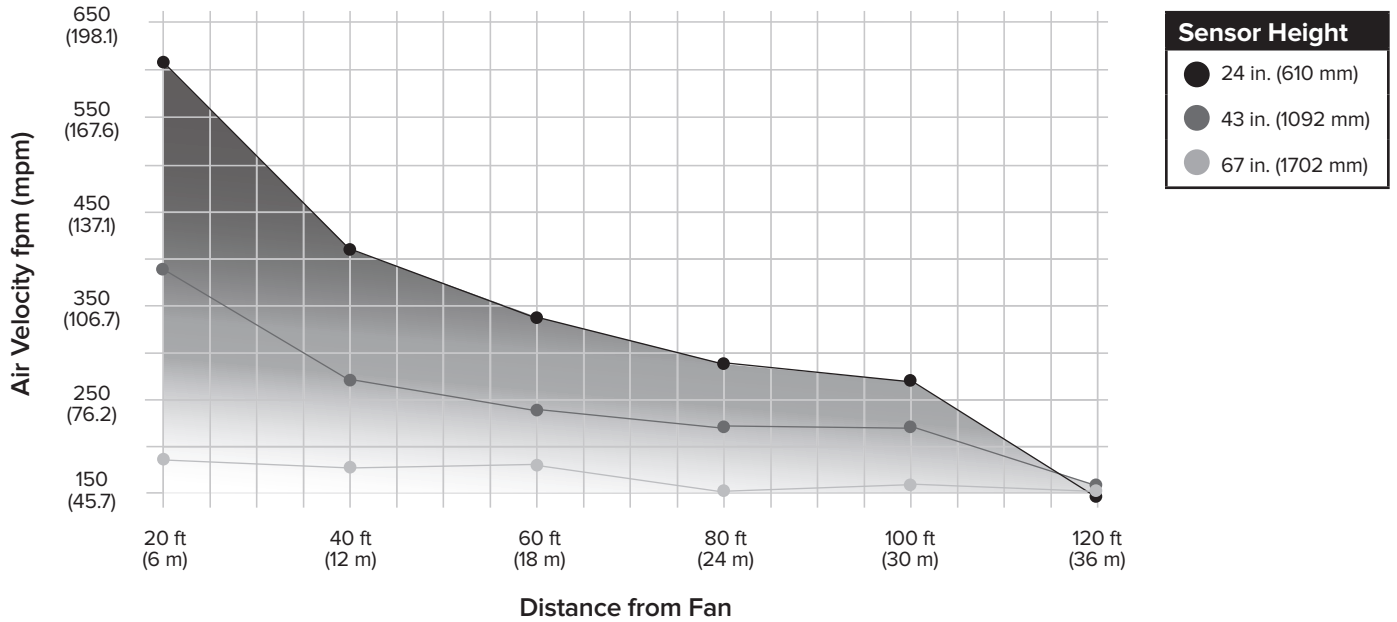
BLACK JACK



AIRFLOW

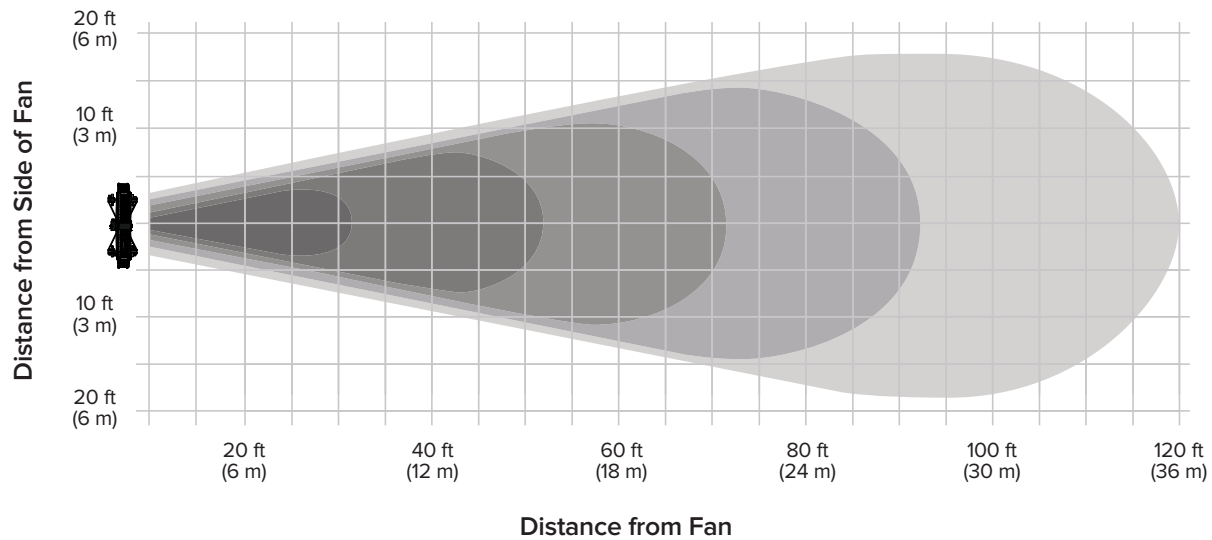
AIRFLOW VELOCITY

The three lines show air velocity from the center of the fan at three sensors of varying height.



AIRFLOW DISTANCE

Shaded areas represent cooling up to 120 feet (36.6 meters). That's one-third the length of a football field! Darker shading indicates faster air velocity.



USA
BIGASSFANS.COM
877-244-3267

CANADA
BIGASSFANS.COM
844-924-4277

AUSTRALIA
BIGASSFANS.COM/AU
1300 244 277

SINGAPORE
BIGASSFANS.COM/SG
65 6709 8500

MALAYSIA
BIGASSFANS.COM/SG
603 5565 0888