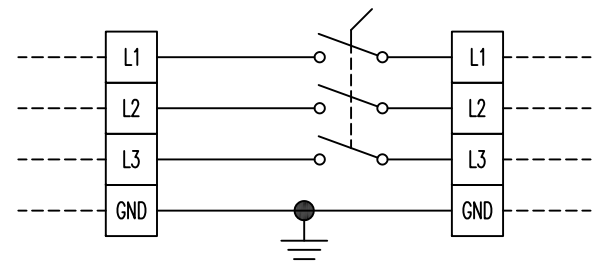
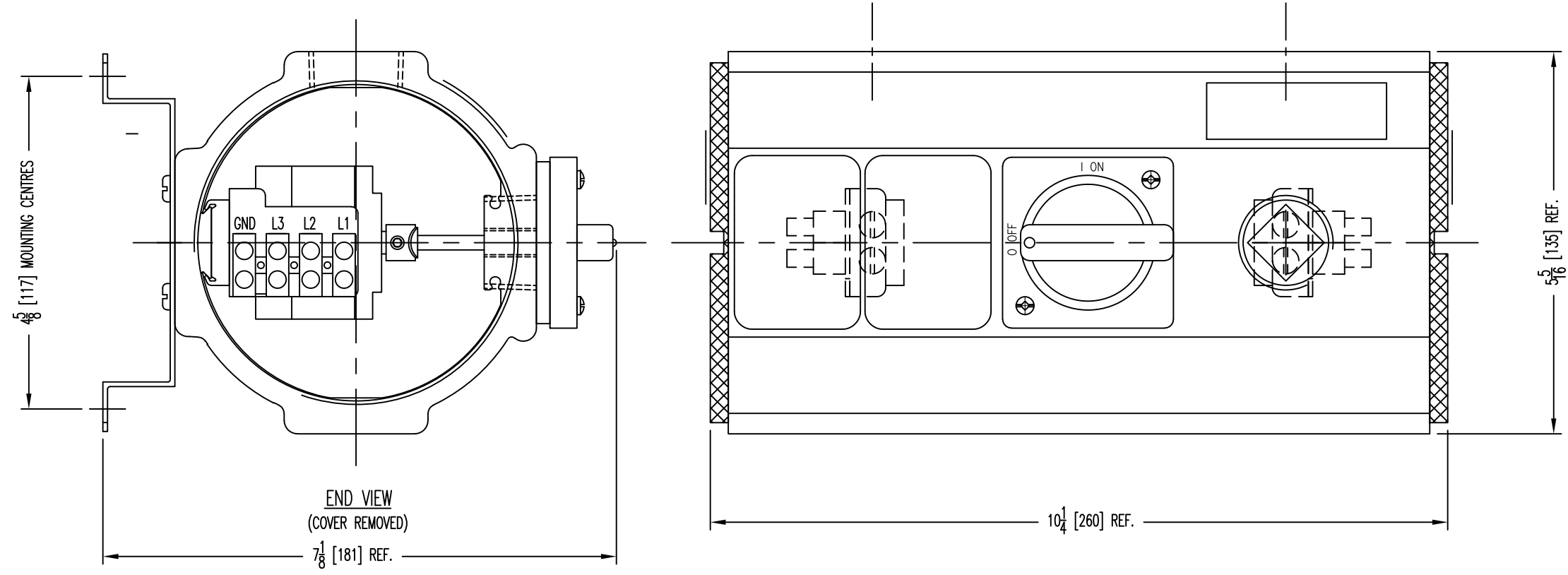


NO: 51272

NO.	REVISION	DATE	BY/PAR
-----	----------	------	--------



DETAIL 'A' - WIRING DIAGRAM

NOTES:

- 1 ALL DIMENSIONS IN INCHES [MILLIMETERES IN BRACKETS].
- 2 TERMINAL BOX (DET. 1) IS CSA C/US APPROVED FOR HAZARDOUS LOCATIONS:
 CLASS I, DIV.1 & 2 GROUP A, B, C & D;
 CLASS II, DIV.1 & 2 GROUP E, F & G;
 CLASS III, DIV.1 & 2.
- 3 TERMINAL BOX TO BE BLACK ANODIZED.

01	XS3053-01	32 AMPS	600	3	60
ITEM NO.	CATALOG NO.	MAXIMUM CURRENT	VOLTS	PH	Hz

DET	DESCRIPTION	PART NO. NO. PIECE	QTY SITE
BILL OF MATERIAL / LISTE DE MATERIEL			
TITLE: EXPLOSION PROOF DISCONNECT SWITCH			
NO: 51272			0 REV.
REF.:			
S.O.:		TOLERANCE UNLESS NOTED OTHERWISE	
SCALE:	NTS	± ANGULAR	± DECIM. ± 1/16 FRACT. ± METRIC
DRAWN BY:	J.A.	JULY 6/06	
CHECKED BY:	M.K.	JULY 6/06	
APPROVED BY:	B.A.	JULY 6/06	
DIST.:	DATE		

