

Project No: \_\_\_\_\_ Submitted by: \_\_\_\_\_  
 Project Name: \_\_\_\_\_  
 Location: \_\_\_\_\_  
 Engineer: \_\_\_\_\_  
 Architect: \_\_\_\_\_  
 Reference: 3/23/2021 9:26:47 AM

### Equipment Tag

Contractor: \_\_\_\_\_

### Model Information

Model: **XSA105-UD033EC** Part Number: **XSA105-UD033EC**  
 CFM: 940 Unit Weight: 0  
 SP: 0.25 Ship Weight: 0  
 RPM: 1772  
 BHP: 0.32 Elevation: 0  
 Temperature: 70

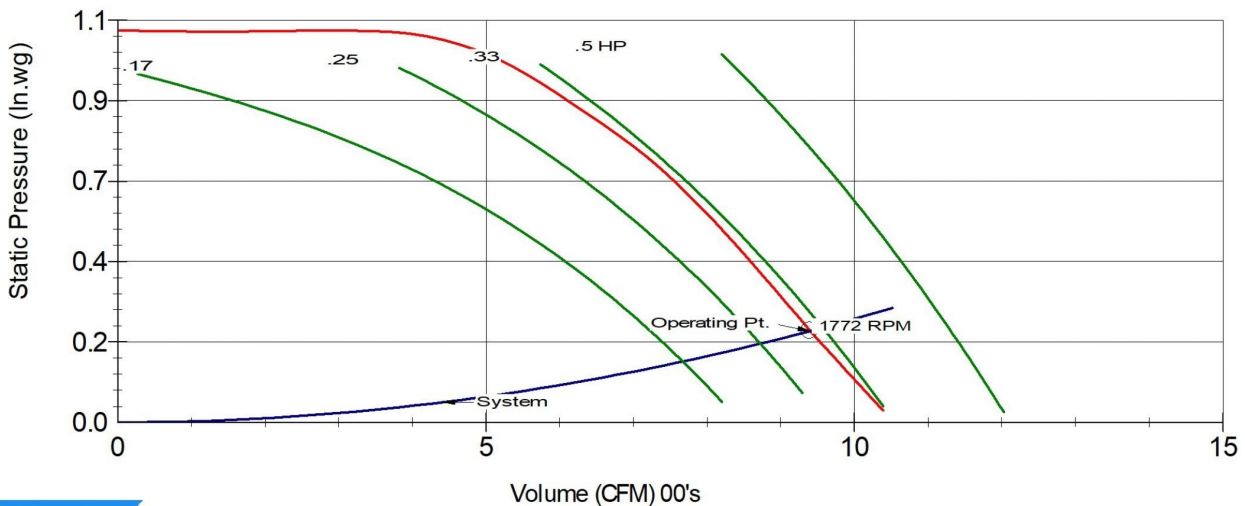
### Sound Data

63	125	250	500	1000	2000	4000	8000	(Hz)	LwA:	80
86	79	80	79	74	71	66	60	(dB)	SONES:	16.8

Ducted inlet or ducted outlet dBA @50 ft. 49      Ducted inlet and ducted outlet dBA @50 ft. 29

### Performance Curve

DELHI Model **XSA105-UD033EC**  
 CFM=940 SP=0.25 BHP=0.32 S. Eff=11% RPM=1772



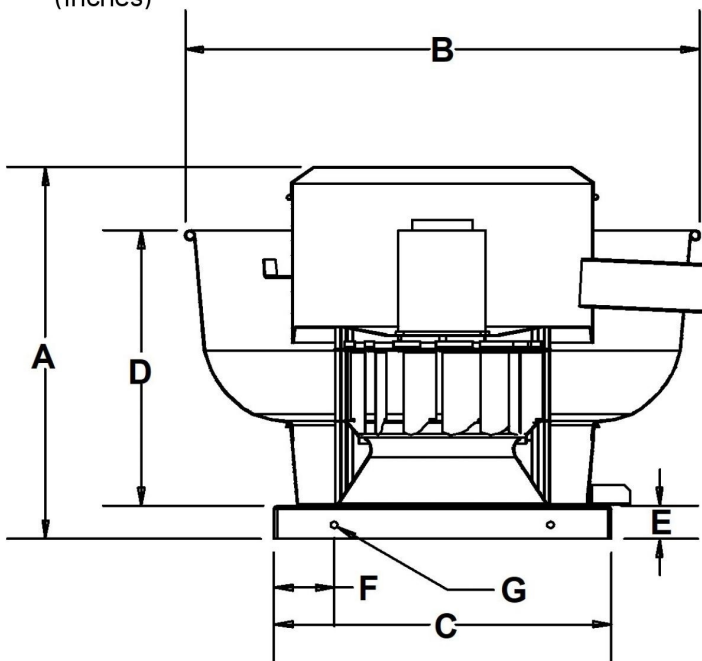
Canarm Ltd. certifies that the ALX Series Spun Aluminum Exhauster Units shown herein are licensed to bear the AMCA Seal. The ratings shown are based on tests and procedures performed in accordance with AMCA Publication 211 and Publication 311, and comply with the requirements of the AMCA Ratings Programme.  
 Performance certified is for installation type A: Free inlet, Free outlet. Power rating bhp does not include transmission losses. Performance ratings do not include the effects of appurtenances (accessories).  
 The sound power level ratings shown are in decibels, referred to 10<sup>-12</sup> watts, calculated per AMCA 301. The A-weighted sound power ratings shown have been calculated per AMCA 301. Values shown are for outlet Lw<sub>oA</sub> sound power levels for Installation Type A: free inlet, free outlet.  
 The sound rating in Sones shown are loudness values in hemispherical sones at a distance of 5 ft. in a hemispherical free field calculated per AMCA 301. Values shown are for Installation Type A: free outlet hemispherical sone levels.  
 dBA levels are not licensed by AMCA International.

**Motor Data**

Motor HP and Type	Volts	Frame	Motor RPM	Canarm Part Number
1/3 HP ECM	115/208-230V	48	1800	8840046

**Options**
**Dimensions**
**Model: XSA105-UD033EC**

(Inches)



<u>A</u>	<u>B</u>	<u>C</u>	<u>D</u>	<u>E</u>	<u>F</u>	<u>G</u>
18.0	25.0	19.0	13.0	1.5	3.5	.38

**Standard Features**
**XSA-UD-EC Spun Aluminum Upblast Direct Drive Rooftop Exhauster**

- Durable weather resistant spun aluminum exhauster
- Upblast design sends the exhaust away from the roof and into the atmosphere.
- Curb Mounted for direct intake from below
- Suitable for wall mount, 24" and down
- EC motors offer true variable speed operation and up to 70% energy savings over PSC motors.
- ETL Listed for compliance with UL705 and UL762 standards

