

WALL EXHAUST FANS BELT & DIRECT DRIVE



INSTALLATION AND MAINTENANCE INSTRUCTIONS

READ AND SAVE THESE INSTRUCTIONS

Models: XB, HV, HVA, HVAR, ADD, ADDR, DDS, DDP, SXB, SADD

THE PURPOSE OF THIS MANUAL IS TO AID IN THE PROPER INSTALLATION AND OPERATION OF THE FANS. THESE INSTRUCTIONS ARE INTENDED TO SUPPLEMENT GOOD GENERAL PRACTICES AND ARE NOT INTENDED TO COVER DETAILED INSTRUCTION PROCEDURES. IT IS THE RESPONSIBILITY OF THE PURCHASER TO ASSURE THAT THE INSTALLATION AND MAINTENANCE OF THIS EQUIPMENT IS HANDLED BY QUALIFIED PERSONNEL.

Inspect all shipments carefully for damage. **THE RECEIVER MUST NOTE ANY DAMAGE ON THE CARRIER'S BILL OF LADING AND FILE A CLAIM IMMEDIATELY WITH THE FREIGHT COMPANY.**

ELECTRICAL CONNECTIONS



WARNING: BE SURE POWER IS OFF AT THE ELECTRICAL PANEL BEFORE WIRING.

WARNING: ALL ELECTRICAL WORK SHOULD BE PERFORMED BY A QUALIFIED ELECTRICIAN.

INSTALLATION

1. Cut and frame the appropriate wall opening. Fans mounted to a wall require a different wall opening than fans mounted in cabinets or sleeves. For specific dimensions, refer to the submittal drawing for the specific fan configuration.
2. Mount the fan in the opening with the fan panel directly over the load bearing support and if this is not practical angle supports must be provided to transfer the fan weight to the load bearing structure.
3. Caution: The fan contains rotating parts and requires electrical service. Appropriate safety precautions should be taken during installation, operation and maintenance.
4. Warning: Do not install or operate this fan in an environment where combustible materials, gasses or fumes are present unless it was specifically designed and manufactured for that application.
5. A damper, if used, should be securely mounted in a manner that allows free and unobstructed operation.
6. All electrical work must be done, in accordance with all applicable electrical codes, by a qualified electrician. Please follow all applicable national, state/provincial and local codes, all of them will supersede this manual.
7. Prior to wiring ensure the power supply is locked in the **OFF** position and that the motor nameplate voltage and the supply voltage match.
8. Be sure to keep all wiring clear of any rotating parts.
9. Before starting the fan ensure that the wheel rotates freely.

INSTALLATION CONTINUED

10. Tighten all nuts, bolts and setscrews prior to fan start up (as some may have loosened during shipping).
11. On belt driven fans make sure that the belts are tensioned and aligned correctly.
12. Ensure that all protective guards and other safety devices are installed properly prior to fan start up.



WARNING: GUARDING SHOULD BE USED IF FANS ARE MOUNTED LOWER THAN SEVEN FEET (2 METRES) OFF FLOOR OR GROUND LEVEL.

STANDARD WIRING INSTRUCTIONS

1. A qualified electrician in accordance with all local and National Electrical Codes should do all wiring.
 2. Lock off all power sources before any wiring is to be performed.
 3. Leave enough slack in the wiring to allow for motor movement when adjusting the belt tension.
 4. Excess wire must be restrained in order to prevent it from entering the shaft and propeller area.
 5. Disconnect switches are recommended and should be located near the fan in order to, swiftly cut off power in case of an emergency and maintain complete control of the power source.
 6. Some motors may have to be removed in order to make the connections in the motor terminal box.
 7. Follow the wiring diagrams on the motor nameplate.
1. **Wall Fans**
 - Extend the proper gauge wire to the fan motor.
 - Restrain excess wire from entering the shaft and propeller area
 2. **Wall Fans with Cabinets**
 - Remove guard from cabinet.
 - Drill a hole through the cabinet at a convenient location and pull the wires through (never wire through the guard).
 - Restrain excess wire from entering the shaft and propeller area

OPERATION

Pre Start Inspection

- Lock out all power sources
- Inspect all fasteners and set screws and tighten as required
- Inspect belt alignment and tension
- Confirm power source voltage and motor voltage are the same and that the motor is wired correctly
- Rotate the fan blade to ensure that neither the fan blade nor the belts come into contact with the housing
- Inspect the fan and the ductwork to ensure they are free of debris
- Check to ensure that all guards and accessories are securely mounted
- Check to be sure the propeller rotation is correct

OPERATION CONTINUED

Typical Installation - Refer to page 7

Start Up

Turn the fan on and inspect for the following.

- Direction of rotation
- Improper motor amperage
- Excessive Vibration
- Unusual Noise
- Improper belt tension or alignment

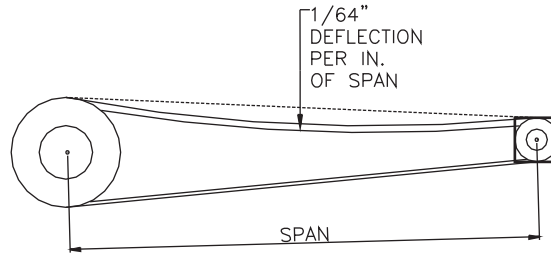
If a problem is discovered shut off the fan and refer to the section on troubleshooting to discover the cause of the problem. The fan should be inspected after 30 minutes, 8 hours and 24 hours of operation to ensure all fasteners are tight and belts are properly tensioned and aligned.

MAINTENANCE WARNING

Disconnect and secure to the OFF position all electrical power to the fan prior to inspection or servicing. Failure to comply with this safety precaution could result in serious injury or death.

- Ventilators should be checked at least once a year. For critical or severe applications a routine check every two to three months is suggested.
- When removing or installing a belt don't force the belt over the sheave. Loosen the motor mount so that the belt can be easily slipped over the sheave.
- The belt, on belt driven units, should be removed and carefully checked for cracks, ply separation or irregular wear. A small irregularity in the contact surface of the belt will result in noisy operation. If any of these defects are apparent the belt should be replaced. At the same time check the sheaves for chips, dents or rough surfaces that could damage the belt.
- The correct belt tension is important. Too tight a belt will result in excess bearing pressure, which can cause premature bearing failure and may cause the motor to overload, too loose a belt will result in slippage, which will burn out belts. Proper belt deflection should be 1/64" (half way between sheave centers) for each inch of belt span when a force of approximately 5 lbs. is applied.
- The belt alignment should be checked to be sure that the belt is running perpendicular to the rotating shafts. Motor and drive shafts must be parallel.
- A periodic inspection of all fasteners should be carried out to ensure they have not loosened due to vibration. Particular attention should be paid to fasteners attaching the wheel to the shaft and those attaching the shaft to the bearing.
- The standard pillow blocks on belt driven fans are factory lubricated. These bearings should be lubricated on a semi annual basis (more frequently in severe applications) using a high quality lithium based grease. With the unit running add grease very slowly, using a manual grease gun, until a slight bead of grease forms at the seal. Be careful not to unseat the seal by over lubricating or by using excessive pressure. When the bearings are obstructed from view use no more than three injections with a hand operated grease gun.
- Dust and dirt on the exterior surface of the motor, fan panel and the entire fan wheel should be removed, at intervals determined by the severity of the application, to ensure proper service life and safety.
- For additional safety information refer to AMCA publication 410-96, Safety Practices for Users and Installers of Industrial and Commercial Fans

Belt Tension



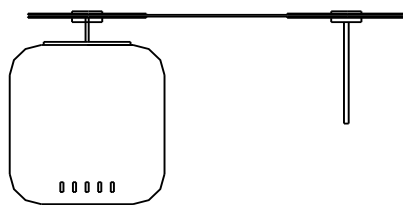
BELT AND PULLEY REPLACEMENT

In the course of regular maintenance the belts and pulleys may have to be changed and or adjusted the recommended procedure is as follows.

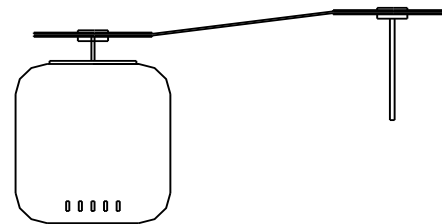
- Do not change the pulley pitch diameter in order to tension the belts. This will result in a change in the fan speed.
- Loosen the nuts on the motor plate or motor in order to reduce the belt tension such that the belts will easily slip over the pulleys. Never force the belts over the rim of the pulley.
- Loosen the setscrews on the pulleys and remove from either the motor or fan shaft using a two or three jaw puller.
- Remove any shaft imperfection such as setscrew mark using a file or emery cloth.
- Install the replacement pulleys tightening all setscrews to the recommended torque rating (see chart) and ensuring that they are properly aligned.
- Pulley alignment is achieved by moving the pulleys on their respective shafts or moving the entire motor until the pulleys are correctly aligned (see figure). Using a square with one edge parallel to the motor shaft adjust the pulleys until the other edge is parallel to the belts.
- Slip the belts over the pulleys then adjust the motor/ motor plate until the proper tension is reached (1/64" deflection, half way between pulley centers, per inch of belt span when pressed firmly).
- Tighten the motor plate/ motor adjusting nuts in place.

PULLEY ALIGNMENT

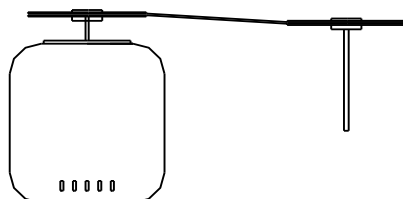
CORRECT



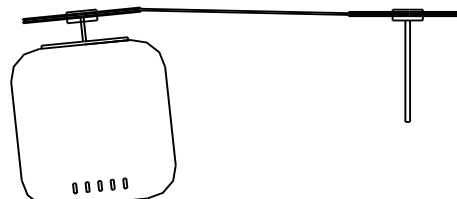
INCORRECT



INCORRECT



INCORRECT



REPLACEMENT

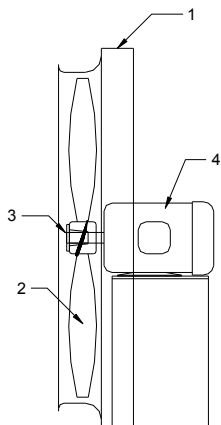
Canarm Ltd. uses pillow block bearings.

- Before removing the bearings mark the positions of the fan blade, bearings and pulley on the shaft.
- Note the clearance between the fan blade and the venturi.
- Remove the pulley and fan blade from the shaft using a puller.
- Unbolt the bearings and remove the shaft and pillow blocks as one unit.
- Clean the shaft and remove any marks using a file or emery cloth then remove the bearings using a bearing puller.
- Inspect the shaft and replace if necessary.
- Mount the new bearings on a section of the shaft that is not worn by tapping the inner ring face using a soft mallet.
- Align the setscrews on the bearings and then tighten one setscrew on each bearing.
- Loosely install the bearings on the bearing mount.
- Rotate the shaft to find the center of free movement.
- Install the propeller adjusting the bearing location to center the blade in the venturi.
- Tighten the bearing bolts to the proper torque rating
- Turn the propeller by hand the propeller should rotate freely with the same resistance as before the bearing bolts were tightened.
- Tighten all setscrews to the proper torque rating
- Install pulley and adjust belt tension.

You should go through the start up steps as outlined above.

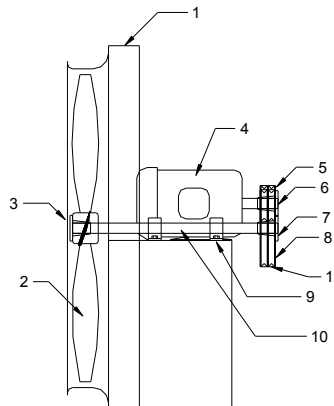
PARTS LIST

MODELS: DDS, DDP, ADD, ADDR



FAN ASSEMBLY		
ITEM	DESCRIPTION	QUANTITY
1	WELDED FAN ASSEMBLY	1
2	PROPELLER	1
3	PROPELLER BUSHING	1
4	MOTOR	1

MODELS: XB, HV, HVA, HVAR



FAN ASSEMBLY		
ITEM	DESCRIPTION	QUANTITY
1	WELDED FAN ASSEMBLY	1
2	PROPELLER	1
3	PROPELLER BUSHING	1
4	MOTOR	1
5	MOTOR SHEAVE	1
6	MOTOR SHEAVE BUSHING	1
7	DRIVEN SHEAVE BUSHING	1
8	DRIVEN SHEAVE	1
9	PILLOW BLOCK BEARINGS	2
10	FAN SHAFT	1
11	"V" BELTS	2

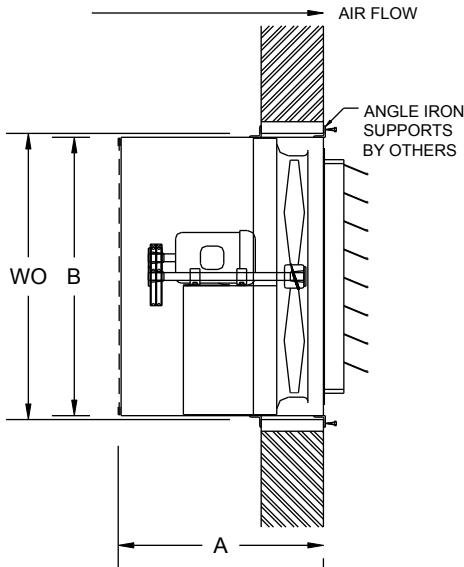
FAN TROUBLE SHOOTING GUIDE

PROBLEM	POSSIBLE CAUSES
VIBRATION	<ul style="list-style-type: none"> Impeller or sheaves loose Belts not tensioned properly Bent shaft Out of balance impeller Loose fasteners Loose or worn bearings Drive misalignment Fan not properly installed Mismatched belts Out of balance sheaves Improper fan installation
MOTOR OVERLOADING	<ul style="list-style-type: none"> Static pressure higher than design Impeller rotating in the wrong direction Improper fan speed Defective motor Fan speed higher than design
TOO MUCH AIR	<ul style="list-style-type: none"> Filters missing Static pressure lower than design Fan speed higher than design
FAN DOES NOT OPERATE	<ul style="list-style-type: none"> Lack of electricity to the fan Fan wired improperly Broken or missing belt Missing or blown fuses Overload protection has broken circuit Defective motor
EXCESSIVE NOISE	<ul style="list-style-type: none"> Impeller or sheaves loose Belts not properly tensioned Sheaves not properly aligned Impeller out of balance Sheaves out of balance Bent shaft Bearings defective or need lubrication Worn belts Vibration or lack of isolation Loose fasteners High velocity air

TYPICAL INSTALLATIONS

Wall exhaust fan with cabinet, back guard and shutter

The drawing below illustrates the typical installation of an exhaust fan with cabinet, back guard and shutter in a masonry wall. The installer shall provide angle iron framing and suitable fasteners (hex bolts or lag screws) to support the fan. The cabinet and framing should be caulked to the exterior wall. Fans with motors in excess of 50 pounds should also be supported using hanging rods or by supports placed underneath the fan.



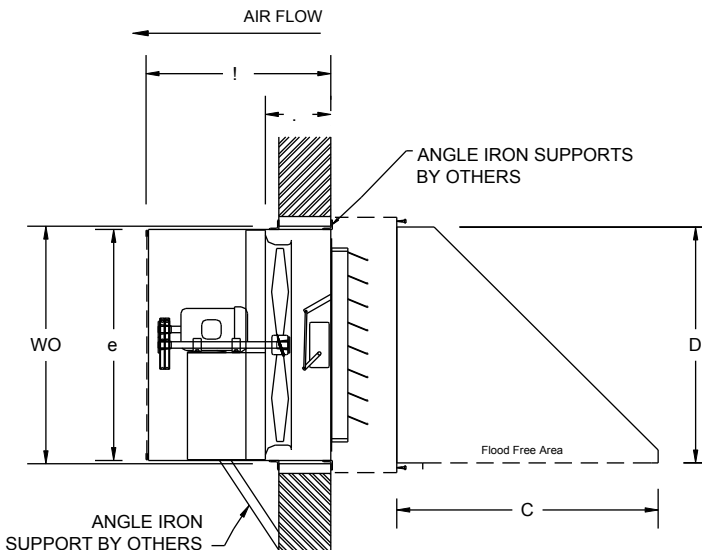
EXHAUST WALL FAN C/W CABINET, SHUTTER AND BACKGUARD

XB,HV,HVA,HVAR	DDS,DDP,ADD	WO	A	B
-	12	17 1/4	16	16 1/4
-	14	19 1/4	16	18 1/4
-	16	21 1/4	16	20 1/4
-	18	23 1/4	16	22 1/4
-	20	25 1/4	16	24 1/4
24	24	30 7/8	26	29 7/8
30	30	36 7/8	26	35 7/8
36	36	42 7/8	26	41 7/8
42	42	48 7/8	26*	47 7/8
48	48	54 7/8	26*	53 7/8
54	-	60 7/8	26*+	59 7/8
60	-	69	26*+	68

* For 7 1/2 hp and 10 hp add 6"
+ For 15 hp and 20 hp add 8"

Wall supply fan with cabinet, back guard, motorized shutter and weather hood

The drawing below illustrates the typical installation of a supply fan with a cabinet, back guard, motorized shutter (with end switch), and weather hood in a masonry wall. The installer shall provide angle iron framing and suitable fasteners (hex bolts or lag screws) to support the fan. The cabinet and framing should be caulked to the exterior wall. The weather hood can either be attached to the cabinet or fastened to the wall and then caulked. These fans should either be supported by hanging rods or by supports placed underneath the fan.

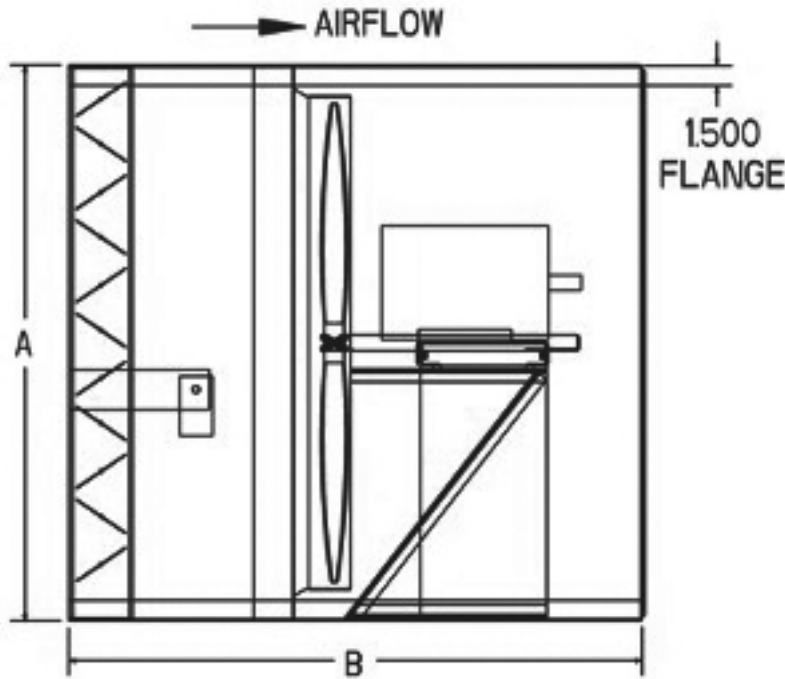


SUPPLY WALL FAN C/W EXT. CABINET BACKGUARD, MOTORIZED 3200 SER. SHUTTER AND WALL HOOD

XB,HV,HVA,HVAR	DDS,DDP,ADD,ADDR	WO	A	B	C	D	E
-	12	17 1/4	22	11	20 1/2	16 1/2	16 1/4
-	14	19 1/4	22	11	22 1/2	18 1/2	18 1/4
-	16	21 1/4	22	11	24 1/2	20 1/2	20 1/4
-	18	23 1/4	22	11	26 1/2	22 1/2	22 1/4
-	20	25 1/4	22	11	28 1/2	24 1/2	24 1/4
24	24	30 7/8	32	14 1/2	34	30	29 7/8
30	30	36 7/8	32	14 1/2	40 1/4	36 1/4	35 7/8
36	36	42 7/8	32	14 1/2	46 1/4	42 1/4	41 7/8
42	42	48 7/8	32*	14 1/2	52 1/2	48 1/2	47 7/8
48	48	54 7/8	32*	14 1/2	58 1/2	54 1/2	53 7/8
54	-	60 7/8	38+	20 1/2	65 1/4	61	59 7/8
60	-	69	38+	20 1/2	73 1/4	69	68

* For 7 1/2 hp and 10 hp add 6"
+ For 15 hp and 20 hp add 8"

Wall supply fan with steel control damper, cabinet and back guard



ADDR & HVAR FANS

Please note for the reversing models ADDR, HVAR, the supplied reversing switch should be wired in accordance with the instructions supplied by the manufactures of the switch.

The blade should come to a complete stop before switching direction. Failure to do so may cause damage to the motor and/or blade.

For trouble shooting and electrical guidelines, the above instructions apply.

WARRANTY

CANARM Ltd. warrants every new fan to be free of defects in materials and workmanship, to the extent that, within a period of one year from the date of purchase CANARM Ltd. shall either repair or replace at CANARM's option, and unit or part thereof, returned freight prepaid, and found to be defective.

This warranty does not include any labour or transportation cost incidental to the removal and reinstallation of the unit at the user's premises.

Components repaired or replaced are warranted through the remainder of the original warranty period only.

This warranty applies to the original purchaser-user only; it is null and void in case of alteration, accident, abuse, neglect and operation not in accordance with instructions.

NOTICE: No warranty claims will be honored by CANARM Ltd. unless prior authorization is obtained.

**Installation or Product problems? Do not return to store of purchase.
Contact Canarm Service at 1-800-265-1833 (CANADA) 1-800-267-4427 (U.S.A)
1-800-567-2513 (EN FRANÇAIS) Monday to Friday 8:00am - 5:00pm EST**

VENTILATEUR D'ÉCHAPPEMENT MURAL À COURROIE ET ENTRAÎNEMENT DIRECT



INSTRUCTIONS POUR L'INSTALLATION ET LA MAINTENANCE

LISEZ ET CONSERVEZ CES INSTRUCTIONS

MODÈLES : XB, HV, HVA, HVAR, ADD, ADDR, DDS, DDP, SXB, SADD

LE BUT DE CE MANUEL EST D'AIDER À L'INSTALLATION ET AU BON FONCTIONNEMENT DES VENTILATEURS. CES INSTRUCTIONS SONT DESTINÉES À COMPLÉTER LES BONNES PRATIQUES GÉNÉRALES ET NE SONT PAS DESTINÉES À REMPLACER DES PROCÉDURES D'INSTRUCTION DÉTAILLÉES. IL EST DE LA RESPONSABILITÉ DE L'ACHETEUR DE S'ASSURER QUE L'INSTALLATION ET LA MAINTENANCE DE CET ÉQUIPEMENT SONT GÉRÉES PAR UN PERSONNEL QUALIFIÉ.

Inspectez soigneusement tous les envois pour détecter tout dommage. **LE CONSIGNATAIRE DOIT NOTER TOUT DOMMAGE SUR LE BON DE CONNAISSEMENT DU TRANSPORTEUR ET DÉPOSER UNE RÉCLAMATION IMMÉDIATEMENT À LA COMPAGNIE DE FRET.**

CONNEXIONS ÉLECTRIQUES



ATTENTION : ASSUREZ VOUS QUE L'ALIMENTATION EST COUPÉE AU PANNEAU ÉLECTRIQUE AVANT D'EFFECTUER LE CABLÂGE.

ATTENTION : TOUT TRAVAUX ÉLECTRIQUES DOIVENT ÊTRE EFFECTUÉ PAR UN ÉLECTRICIEN CERTIFIÉ

INSTALLATION

1. Coupez et encadrez l'ouverture requise au mur. Les ventilateurs muraux requièrent une ouverture différente de ceux installés dans un armoire ou manchon. Pour les dimensions spécifiques, reportez-vous au dessin de soumission pour la configuration spécifique du ventilateur.
2. Montez le ventilateur dans l'ouverture avec le panneau du ventilateur directement sur le support porteur et si cela n'est pas pratique, des supports d'angle doivent être fournis pour transférer le poids du ventilateur sur la structure porteuse
3. **MISE EN GARDE** : Le ventilateur contient des pièces rotatives et nécessite un service électrique. Des mesures de sécurités appropriées doivent être appliqués durant l'installation, l'opération et l'entretien.
4. **ATTENTION** : N'installez pas et n'utilisez pas ce ventilateur dans un environnement contenant des matériaux combustibles, des gaz ou des fumées à moins qu'il n'ait été spécifiquement conçu et fabriqué pour cette application.
5. Un clapet, s'il est utilisé, doit être solidement fixé de manière à permettre un fonctionnement libre et dégagé.
6. Tous les travaux électriques doivent être effectués, conformément à tous les codes électriques applicables, par un électricien qualifié. Veuillez suivre tous les codes nationaux, provinciaux et locaux applicables, tous remplaceront ce manuel.
7. Avant le câblage, assurez-vous que le courant est coupé et barré dans la position ARRÊT et que le voltage de la plaque signalétique du moteur et le voltage d'alimentation correspondent.
8. Assurez-vous de garder tout le câblage dégagé des pièces rotatives.
9. Avant de démarrer le ventilateur, assurez-vous que la roue tourne librement.

INSTALLATION (SUITE)

10. Avant le démarrage du ventilateur, assurez-vous que toutes les fixations et vis sont serrées (car certaines peuvent s'être desserrées durant le transport)
11. Sur les ventilateurs entraînés par courroie, assurez-vous que les courroies sont correctement tendues et alignées.
12. Assurez-vous que tous les dispositifs de protection et autres dispositifs de sécurité sont correctement installés avant le démarrage du ventilateur.



AVERTISSEMENT: DES PROTECTIONS DOIVENT ÊTRE UTILISÉES SI LES VENTILATEURS SONT MONTÉS PLUS BAS QUE SEPT PIEDS (2 MÈTRES) DU SOL OU PLANCHER.

INSTRUCTIONS DE BRANCHEMENT STANDARD

1. Tout branchement doit être complété par un électricien certifié selon le Code National Électrique ou toutes autres directives locales.
2. Assurez-vous que l'alimentation soit déconnectée et verrouillée avant d'effectuer les connexions électriques.
3. Gardez suffisamment de jeu dans le câblage pour permettre le mouvement du moteur lors du réglage de la tension de la courroie.
4. L'excédent de fil doit être retenu afin de l'empêcher de pénétrer dans la zone de l'arbre et de l'hélic.
5. Des sectionneurs sont recommandés et doivent être localisés près du ventilateur afin de couper rapidement l'alimentation en cas d'urgence et maintenir un contrôle complet sur la source d'alimentation.
6. Certains moteurs peuvent être retirés pour effectuer les connexions électriques dans la boîte du moteur.
7. Suivez le diagram de connection sur la plaque signalétique du moteur.
 1. **Ventilateurs muraux**
 - Prolongez le fil de calibre approprié jusqu'au moteur du ventilateur.
 - Empêchez l'excès de fil de pénétrer dans la zone de l'arbre et de l'hélice
 2. **Ventilateurs muraux avec armoires**
 - Retirez la protection de l'armoire.
 - Percez un trou dans l'armoire à un endroit pratique et tirez les fils à travers (ne câbler jamais à travers le dispositif de sécurité).
 - Empêchez l'excès de fil de pénétrer dans la zone de l'arbre et de l'hélice

OPERATION

Inspection pré-démarrage

- Barrez toutes les sources de courant
- Inspectez tous les toutes les fixations et vis afin qu'ils soient tous serrés
- Inspectez l'alignement de la courroie ainsi que la tension
- Vérifiez que le voltage de la source d'alimentation et le voltage du moteur sont identiques et que le moteur est câblé correctement
- Pivotez la pale du ventilateur pour vous assurez que ni la pale ni les courroies n'entrent en contact avec le boîtier.
- Inspectez le ventilateur et les conduits afin de vous assurer qu'ils soient libres de débris.
- Vérifiez que toutes les protections et accessoires sont correctement installés.
- Vérifiez que la rotation de l'hélice se fait correctement.

OPERATION (SUITE)

Installation typique - Référez-vous à la page 7

Démarrage

Allumez le ventilateur et vérifiez ce qui suit.

- Direction de rotation
- Ampérage du moteur incorrect
- Vibration excessive
- Bruit inhabituel
- Tension ou alignement incorrect de la courroie

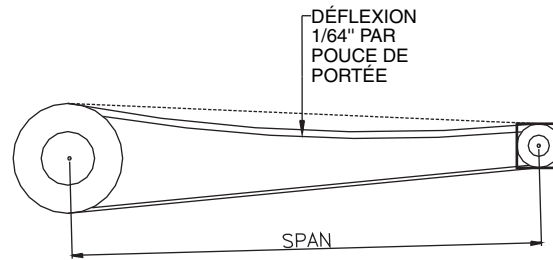
Si un problème survient, éteignez le ventilateur et référez-vous à la section de dépannage pour découvrir la cause du problème. Le ventilateur doit être inspecté après 30 minutes, 8 heures & 24 heures d'opération afin d'assurer que toutes les fixations soient serrées et que l'unité opère correctement.

MISE EN GARDE POUR L'ENTRETIEN

Débranchez et mettez en position ARRÊT toute l'alimentation électrique du ventilateur avant l'inspection ou l'entretien. Le non-respect des consignes de sécurité peut entraîner des blessures graves ou la mort.

- Le ventilateur doit être vérifié au moins une fois par année. Une vérification de routine régulière est recommandée chaque deux ou trois mois.
- Lors du retrait ou de l'installation d'une courroie, ne forcez pas la courroie sur la poulie. Desserrez le support du moteur pour que la courroie puisse être facilement glissée sur la poulie.
- La courroie, sur les unités entraînées par courroie, doit être retirée et soigneusement vérifiée pour des fissures, la séparation des plis ou l'usure irrégulière. Une petite irrégularité dans la surface de contact de la courroie entraînera un fonctionnement bruyant. Si l'un de ces défauts est apparent, la courroie doit être remplacée. En même temps, vérifiez les poulies pour tout débris, bosses ou surfaces rugueuses qui pourraient endommager la courroie.
- Une tension appropriée de la courroie est importante. Une courroie trop serrée peut causer une pression excessive sur les roulements ce qui peut causer une défaillance prématurée des roulements et entraîner une surcharge du moteur. Une courroie trop détendue entraînera un glissement qui brûlera les courroies. La déflexion appropriée de la courroie doit être de 1/64 po (à mi-chemin entre les centres des poulies) pour chaque pouce de portée de la courroie lorsqu'une force d'environ 5lbs est appliquée.
- L'alignement de la courroie doit être vérifiée pour s'assurer que la courroie tourne perpendiculairement aux arbres rotatifs. Le moteur et les arbres d'entraînement doivent être parallèles.
- Une inspection périodique de toutes les fixations doit être effectuée pour s'assurer qu'elles ne se sont pas desserrées à cause des vibrations. Une attention particulière doit être portée aux fixations fixant la roue à l'arbre et à celles fixant l'arbre au roulement.
- Les paliers standards des ventilateurs entraînés par courroie sont lubrifiés d'origine. Ces roulements doivent être lubrifiés semestriellement (plus fréquemment dans les applications sévères) à l'aide d'une graisse à base de lithium de haute qualité. Avec l'unité en marche, ajoutez de la graisse très lentement, à l'aide d'un pistolet graisseur manuel, jusqu'à ce qu'un léger filet de graisse se forme au niveau du joint. Veillez à ne pas déloger le joint en lubrifiant excessivement ou en utilisant une pression excessive. Lorsque les roulements sont obstrués de la vue, n'utilisez pas plus de trois injections avec un pistolet graisseur manuel.
- La poussière et saleté sur la surface extérieure du moteur, du panneau du ventilateur ainsi que de la roue complète du ventilateur doit être enlevées à des intervalles déterminé par le degré de sévérité de l'application afin d'assurer une durée de vie et sécurité appropriée.
- Pour des informations additionnelles sur la sécurité, référez-vous à la publication de l'AMCA 410-96, Pratiques de sécurité recommandées pour les utilisateurs et les installateurs de ventilateurs industriels et commerciaux

TENSION DE LA COURROIE



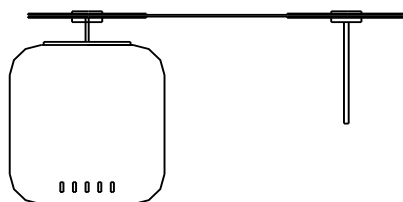
REPLACEMENT DE LA COURROIE ET POULIE

Au cours d'un entretien régulier, les courroies et poulies peuvent devoir être changées et / ou ajustées. La procédure recommandée est la suivante.

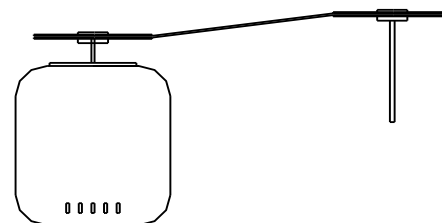
- Ne changez pas le diamètre de la poulie pour tendre la courroie. Ceci peut causer un changement dans la vitesse du ventilateur
- Desserrez les écrous de la plaque du moteur ou du moteur en lui-même afin de réduire la tension de la courroie de sorte que les courroies glissent facilement sur les poulies. Ne forcez jamais les courroies sur le bord de la poulie.
- Desserrez les vis de la poulie et retirez-les soit du moteur ou de l'arbre du ventilateur en utilisant un extracteur d'engrenage à deux ou trois mâchoires.
- Retirez toute imperfection à l'arbre tel que marque de vis en utilisant une lime ou d'une toile émeri.
- Installez les poulies de rechange en serrant toutes les vis de réglage au couple nominal recommandé (voir tableau) et s'assurer qu'elles sont correctement alignées.
- L'alignement des poulies se fait en retirant les poulies de leur arbre respectif ou en bougeant le moteur complet jusqu'à ce que les poulies soient alignées correctement (voir figure). À l'aide d'un carré avec un bord parallèle à l'arbre du moteur, ajustez les poulies jusqu'à ce que l'autre bord soit parallèle aux courroies.
- Glissez les courroies sur les poulies puis ajustez la plaque moteur / moteur jusqu'à ce que la tension appropriée soit atteinte (déflexion de 1/64 po, à mi-chemin entre les centres des poulies, par pouce de portée de la courroie lorsqu'elle est pressée fermement).
- Serrez en place les écrous de réglage de la plaque du moteur / moteur.

ALIGNEMENT DE LA POULIE

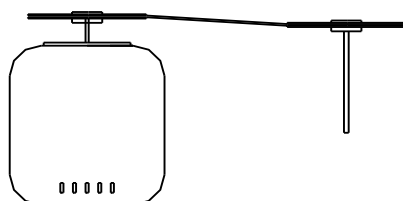
CORRECTE



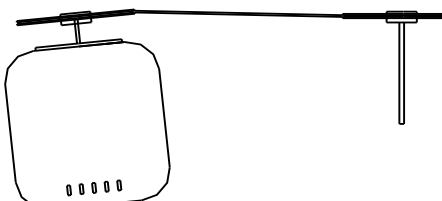
INCORRECTE



INCORRECTE



INCORRECTE



REPLACEMENT

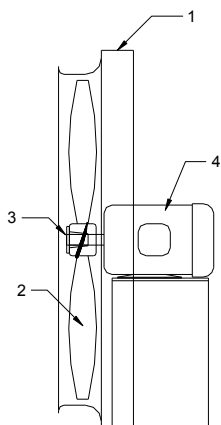
Canarm Ltd. utilise des paliers à semelle.

- Avant de retirer les roulements, marquez les positions de la pale du ventilateur, des roulements et de la poulie sur l'arbre.
- Notez le jeu entre la pale du ventilateur et le venturi.
- Retirez la poulie et la pale du ventilateur de l'arbre à l'aide d'un extracteur.
- Déboulonner les roulements et retirer l'arbre et les paliers en une seule morceau.
- Nettoyez l'arbre et enlevez toute trace à l'aide d'une lime ou d'une toile émeri, puis retirez les roulements à l'aide d'un extracteur de roulement.
- Inspectez l'arbre et remplacez-le si nécessaire.
- Montez les nouveaux roulements sur une section de l'arbre qui n'est pas usée en tapant sur la face de la bague intérieure à l'aide d'un maillet souple.
- Alignez les vis de réglage sur les roulements, puis serrez une vis de réglage sur chaque roulement.
- Installez les roulements sans serrer sur le support de roulement.
- Faites tourner l'arbre pour trouver le centre du mouvement libre.
- Installer l'hélice en ajustant l'emplacement du roulement pour centrer la pale dans le venturi.
- Serrez les boulons de roulement au couple nominal approprié
- Tourner l'hélice à la main, l'hélice doit tourner librement avec la même résistance qu'avant le serrage des boulons de roulement.
- Serrez toutes les vis de réglage au couple nominal approprié
- Installez la poulie et ajustez la tension de la courroie.

Vous devez suivre les étapes de démarrage décrites ci-dessus.

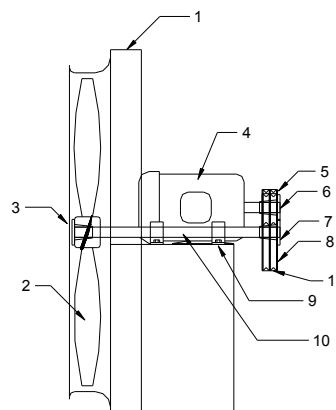
LISTE DE PIÈCES

MODÈLES: DDS, DDP, ADD, ADDR



ASSEMBLAGE DU VENTILATEUR		
PRODUIT	DESCRIPTION	QUANTITÉ
1	ASSEMBLAGE D'UN VENTILATEUR SOUDÉ	1
2	HÉLICE	1
3	BAGUE D'HÉLICE	1
4	MOTEUR	1

MODÈLES: XB, HV, HVA, HVAR



ASSEMBLAGE DU VENTILATEUR		
PRODUIT	DESCRIPTION	QUANTITÉ
1	ASSEMBLAGE D'UN VENTILATEUR SOUDÉ	1
2	HÉLICE	1
3	BAGUE D'HÉLICE	1
4	MOTEUR	1
5	RÉA DU MOTEUR	1
6	BAGUE DU RÉA DU MOTEUR	1
7	BAGUE DU RÉA MOTRICE	1
8	RÉA MOTRICE	1
9	PALLIER ROULEMENT	2
10	ARBRE DU VENTILATEUR	1
11	COURROIE EN "V"	2

GUIDE DE DÉPANNAGE POUR VENTILATEUR

PROBLÈME

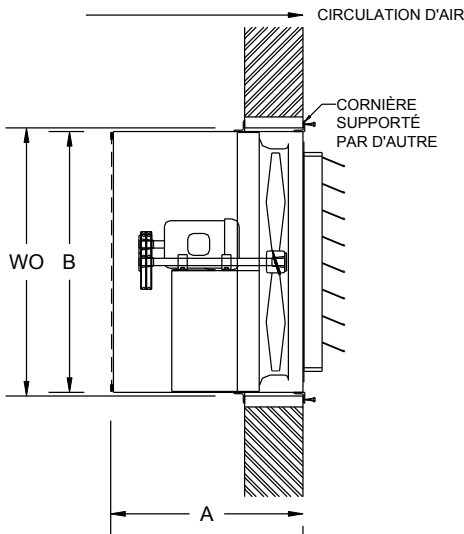
CAUSES POSSIBLE

VIBRATION	<p>Turbine ou poulie lousse Courroie mal tensionnée Arbre courbé Turbine déséquilibrée Fixations desserrées Roulements desserrés ou usés Mauvais alignement de la direction Ventilateur installé incorrectement Courroie incorrecte Réa déséquilibré Mauvaise installation des ventilateurs</p>
SURCHARGE DU MOTEUR	<p>Pression statique plus élevée que celle conçue. Rotation de la turbine dans la mauvaise direction Vitesse incorrecte du ventilateur Moteur défectueux Vitesse du ventilateur plus élevée qu'il est conçu</p>
TROP DE VENTILATION	<p>Filtres manquants Pression statique plus basse que celle conçue Vitesse du ventilateur plus élevée qu'il est conçu</p>
VENTILATEUR NON FONCTIONNEL	<p>Perte de courant électrique au ventilateur Branchement électrique incorrect Courroie manquante ou brisée Fusible manquante ou sautée Coupure du circuit due à une surcharge de protection Moteur défectueux</p>
BRUIT EXCESSIF	<p>Turbine ou poulie lousse Courroie mal tensionnée Mauvais alignement de la direction Réa déséquilibré Réa déséquilibré Arbre courbé Roulements défectueux ou nécessitant une lubrification Courroie usée Vibration ou manque d'isolation Fixations desserrées Vitesse élevée de l'air</p>

INSTALLATION TYPIQUE

Ventilateur d'extraction mural avec cabinet, protection arrière et volet

Le dessin ci-dessous illustre l'installation typique d'un ventilateur d'extraction avec cabinet, protection arrière et volet motorisé (avec interrupteur d'extrémité) dans un mur de maçonnerie. L'installateur doit fournir un cadrage avec cornières et des fixations appropriées (boulons hexagonaux ou vis tire-fond) pour soutenir le ventilateur. Le cabinet et le cadrage doivent être calfeutrés au mur extérieur. Les ventilateurs avec des moteurs de plus de 50 livres doivent également être supportés à l'aide de tiges de suspension ou par des supports placés sous le ventilateur.



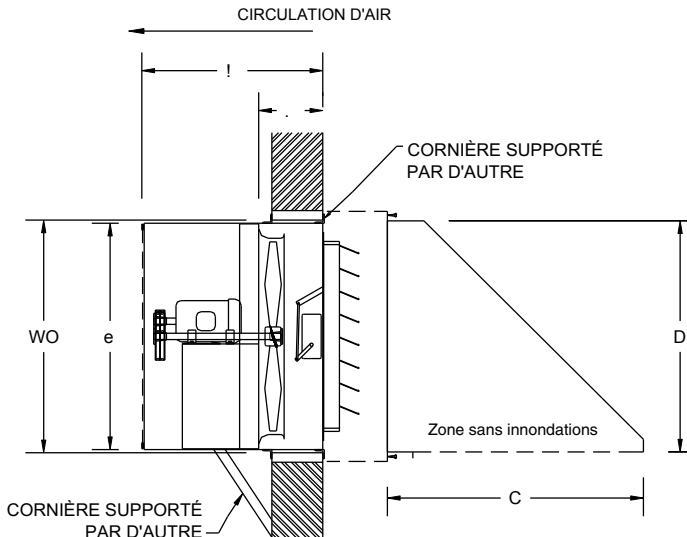
VENTILATEUR D'EXTRACTION AVEC CADRAGE, VOLET ET PROTECTION ARRIÈRE

XB,HV,HVA,HVAR	DDS,DDP,ADD	WO	A	B
-	12	17 1/4	16	16 1/4
-	14	19 1/4	16	18 1/4
-	16	21 1/4	16	20 1/4
-	18	23 1/4	16	22 1/4
-	20	25 1/4	16	24 1/4
24	24	30 7/8	26	29 7/8
30	30	36 7/8	26	35 7/8
36	36	42 7/8	26	41 7/8
42	42	48 7/8	26*	47 7/8
48	48	54 7/8	26*	53 7/8
54	-	60 7/8	26*+	59 7/8
60	-	69	26*+	68

* Pour 7 1/2 hp et 10 hp ajoutez 6"
+ Pour 15 hp et 20 hp ajoutez 8"

Ventilateur d'alimentation mural avec cabinet, protection arrière, volet motorisé et hotte étanche

Le dessin ci-dessous illustre l'installation typique d'un ventilateur d'alimentation avec un cabinet, une protection arrière, un volet motorisé (avec interrupteur d'extrémité) et une hotte contre les intempéries dans un mur de maçonnerie. L'installateur doit fournir un cadrage avec cornière et des fixations appropriées (boulons hexagonaux ou vis tire-fond) pour soutenir le ventilateur. L'armoire et le cadrage doivent être calfeutrés au mur extérieur. La hotte peut être fixée au cabinet ou fixée au mur puis calfeutrée. Ces ventilateurs doivent être supportés par des tiges suspendues ou par des supports placés sous le ventilateur.

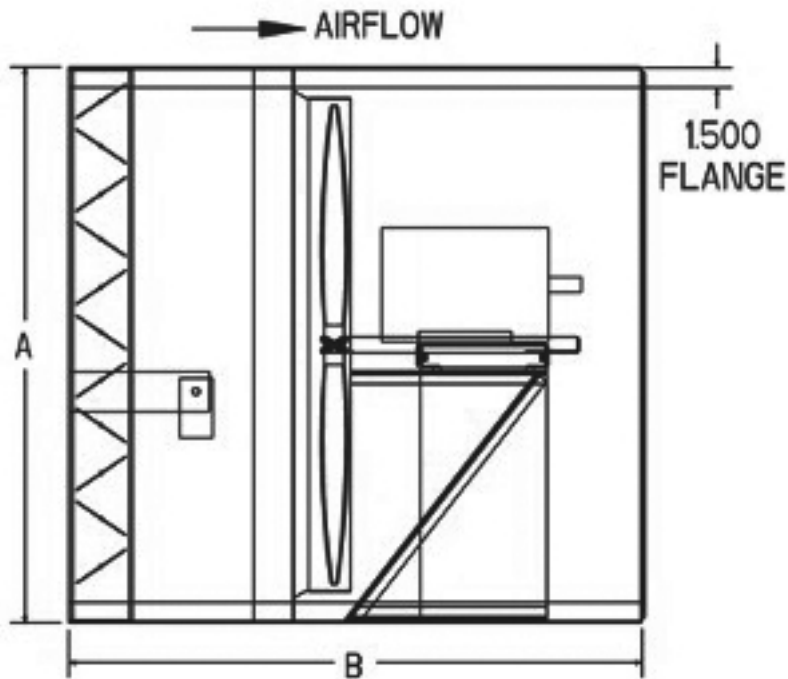


VENTILATEUR D'ALIMENTATION AVEC CABINET EXTÉRIEUR, PROTECTION ARRIÈRE, VOLET MOTORISÉ SÉRIE 3200 ET HOTTE ÉTANCHE

XB,HV,HVA,HVAR	DDS,DDP,ADD,ADDR	WO	A	B	C	D	E
-	12	17 1/4	22	11	20 1/2	16 1/2	16 1/4
-	14	19 1/4	22	11	22 1/2	18 1/2	18 1/4
-	16	21 1/4	22	11	24 1/2	20 1/2	20 1/4
-	18	23 1/4	22	11	26 1/2	22 1/2	22 1/4
-	20	25 1/4	22	11	28 1/2	24 1/2	24 1/4
24	24	30 7/8	32	14 1/2	34	30	29 7/8
30	30	36 7/8	32	14 1/2	40 1/4	36 1/4	35 7/8
36	36	42 7/8	32	14 1/2	46 1/4	42 1/4	41 7/8
42	42	48 7/8	32*	14 1/2	52 1/2	48 1/2	47 7/8
48	48	54 7/8	32*	14 1/2	58 1/2	54 1/2	53 7/8
54	-	60 7/8	38+	20 1/2	65 1/4	61	59 7/8
60	-	69	38+	20 1/2	73 1/4	69	68

* Pour 7 1/2 hp et 10 hp ajoutez 6"
+ Pour 15 hp et 20 hp ajoutez 8"

Ventilateur mural avec clapet contrôlé en acier, cabinet et protection arrière



VENTILATEURS ADDR ET HVAR

Veuillez noter que pour les modèles d'inversion ADDR, HVAR, l'interrupteur d'inversion fourni doit être câblé conformément aux instructions fournies par les fabricants de l'interrupteur.

La lame doit s'arrêter complètement avant de changer de direction. Le non-respect de cette consigne peut endommager le moteur et / ou la lame.

Pour le dépannage et les directives électriques, les instructions ci-dessus s'appliquent.

GARANTIE

CANARM Ltd. garantit que chaque nouveau ventilateur est exempt de défauts de matériaux et de fabrication dans la mesure où, dans un délai d'un an à compter de la date d'achat, CANARM Ltd. réparera ou remplacera au choix de CANARM, toute unité ou partie de celle-ci, fret retourné prépayé et jugé défectueux.

Cette garantie ne comprend pas les frais de main-d'œuvre ou de transport liés au retrait et à la réinstallation de l'unité dans les locaux de l'utilisateur. Les composantes réparées ou remplacées sont garanties pour le reste de la période de garantie d'origine uniquement.

AVIS: Aucune réclamation au titre de la garantie ne sera honorée par CANARM Ltd. sauf avec autorisation préalable

Problèmes d'installation ou de produits?

Ne retournez pas à l'endroit où le produit a été acheté.

Contactez le Service de Canarm au 1-800-265-1833 (CANADA) 1-800-267-4427 (U.S.A) 1-800-567-2513 (EN FRANÇAIS) du Lundi au Vendredi 8:00 - 5:00pm EST