



**OWNER'S MANUAL**  
**Turbo-Pro (Hi-Temp)**  
**Professional Axial Air Mover**

**Model: X-35AR, X-48ATR**

XPOWER Manufacture, Inc.  
220 Clary Avenue  
San Gabriel, CA 91776, USA  
Tel: 626-285-3301, Fax: 626-285-3302  
[www.xpower.com](http://www.xpower.com)

**PLEASE READ AND SAVE THESE INSTRUCTIONS**



## Index

Introduction / Features.....	2
Operation .....	4
Specifications .....	5
Safety Instructions .....	6
Warranty /Service .....	7
Maintenance Instructions / Troubleshooting .....	8
Parts List .....	9
Warranty Registration Form .....	10

## **Introduction**

Thank you for purchasing the XPOWER X-35AR and X-48ATR Hi-Temp Turbo-Pro professional axial air movers. XPOWER Manufacture, Inc. has over 25 years of manufacturing experience, bringing a series of products with the most advanced technology in today's market. Our goal with the X-35 or X-48 Series was to bring an axial air mover never seen before. Through our research and design, we have brought a revolutionary series of air movers to the industry that provide long-life operation, excellent performance, compact design and extremely low noise. Our axial air movers are completely speed controllable-- a first in the industry. We also offer a high quality dual outlet for daisy-chaining and a 3 hour timer (X-48ATR) for ease of use in professional applications. Enjoy!

## **Features**

### **SEALED INDUCTION MOTOR**

The advanced design SEALED INDUCTION MOTOR protects the internal motor parts from dust and moisture accumulation, thus, making it very suitable to be used in highly contaminated and wet environment areas.

### **HEAT-RESISTANT**

The unit is made with high temperature resistant material for lethal room temperature.

**VARIABLE SPEED CONTROL SWITCH:**

An industry first, our completely variable speed control allows you to adjust the fan speed exactly to your liking. This is extremely useful in ventilation applications where precise volume guidelines need to be met.

**DAISY CHAIN FEATURE:**

2 Built-In Outlets allowing multiple units to be connected together.

**3-HOUR TIMER: (For X-48ATR)**

Extremely convenient in busy contractor projects for the professional or a busy afternoon for the handyman, 3 hour timer allows you to setup multiple fans without having to come back to turn them off.

**SPECIALLY DESIGNED AIR FIN GUIDE:**

Contoured to provide maximum focused and extended airflow volume and velocity.  
(Technology targets air flow up to 60 ft.)

**360° ROTATION- RACK STAND INCLUDED:**

Full rotation of the axial air mover to fit the need of any project including drying flooded floors, painted walls and damp damaged ceilings.

**SUPER LIGHTWEIGHT:**

Durable ABS+PC Housing

**COMPACT DESIGN W/ STACKABILITY:**

Stackable Up To 5 Units

## Operation

- 1) With the unit unplugged, carefully place the XPOWER unit on a stable, flat, and dry surface.
- 2) **Plug the cord into a grounded G.F.C.I. outlet only**, the use of a 3-prong to 2-prong adapter is strictly prohibited.
- 3) Turn on the switch to make sure the axial air mover is operating correctly.
- 4) To reduce the risk of injury, close supervision is necessary when an appliance is used near children. Do not allow children to play with or around an Axial Air Mover at any time.

### **Daisy Chain**

If utilizing the Daisy-Chain feature, only allow up to two additional axial fans or other devices running together on total 12 AMPs circuit. X-35AR & X-48ATR axial air movers have an on-board circuit breaker. If the auxiliary outlet overloads, the circuit breaker will trip. If the breaker does trip, unplug the units and press the circuit breaker **Reset** button. Plug the units back into the power source and turn on the switch.

### **Timer (for X-48ATR)**

Model X-48ATR using a timer can be set up to 3 hours long. After the timer expires, the axial air mover will turn off while the speed control will be at the last set position. Set position to off and then again at a desired speed to continue operation.

### **Rack**

The unit includes a durable and sturdy rack which allows 360° full angle rotation.



## Specifications

<b>Model</b>	<b>X-35AR</b>	<b>X-48ATR</b>
Volt/Frequency	115V / 60Hz	
Airflow	1720 CFM	3600 CFM
Amps	1.6 A	2.8 A
Power	1/4 HP	1/3 HP
Weight	17.6 lbs	25.6 lbs
Dimensions (LxWxH)	18.6x9.4x19.2 inch	21.9x9.8x22.5 inch
Cord	20 ft / 14 AWG	
Housing	Injection-molded ABS + PC	
Positions	360° Rotational Coverage	
Daisy Chain	Incl.	Incl.
Timer	N.A.	Incl.

## **Safety Instructions**

1. To prevent electric shock, do not operate the unit in standing water. Never plug in or unplug the unit with wet hands or while standing in water.
2. To avoid risk of injury, do not direct air flow at face or body.
3. Suitable for use with solid-state speed controls.
4. Use only with GFCI protected receptacles. Please contact a qualified electrician for verification and / or installation of a GFCI receptacle if necessary.
5. Do not operate any unit with a damaged cord or plug. Discard axial air mover or return to an authorized service facility for examination and/or repair.
6. To reduce the risk of injury, disconnect from power supply before servicing.
7. Do not run cord under carpeting. Do not cover cord with throw rugs, runners, or similar coverings. Do not route cord under furniture or appliances. Arrange cord away from traffic area and where it will not be tripped over.
8. Do not allow children to play with or around an axial air mover at any time.
9. Do not move or carry the axial air mover while unit is operating.
10. Keep air intakes and exhausts clean at all times to avoid clogging or blocking in order to prevent overheating the unit. Blocking the air intake could result in a fire or electrical hazards.
11. To prevent injury to persons and to avoid objects from coming in contact with the fan blade, do not remove any screens or safety guards from this unit. Altering this unit will void your warranty.
12. Always place the axial air mover on a smooth and level surface for safe operation.
13. Do not use unit if defective or damaged.
14. Unplug the unit before performing any maintenance, cleaning, or servicing.
15. Any misuse or abuse of this product will void the warranty.
16. An electronic instruction manual can be obtained through the manufacture's website [www.xpower.com](http://www.xpower.com).

## **XPOWER Limited Warranty (USA)**

XPOWER's Limited Warranty covers the unit (excluding POWER CORD) from defects in material and craftsmanship. The Warranty covers normal use for a term of one year from the original date of purchase including parts, labor and one way shipping. Non-contiguous states must pay for roundtrip freight. A purchase receipt must be provided.

### **Important!**

This warranty does not cover or apply to defects due directly or indirectly to misuse, abuse, disassembly, alteration, corrosive chemicals, improper voltage, fire, flood, negligence, accident, improperly or incorrectly performed maintenance or repair, or failure to perform necessary maintenance or repair, or if the use of this product is not in compliance with the instructions and specifications for its use.

### **Service**

For Warranty service and parts replacement (US users only), you must:

- A. Call 1-855-855-8868 for a RMA (Return-Merchandise-Authorization) number.
- B. Have original proof of purchase.
- C. Use the original undamaged packaging or an industrial certified packaging method.

End user will be responsible to ship the unit (with RMA Number showing on the shipping label) to the XPOWER Service Department. XPOWER will inspect, assess and advise the repairs needed and the applicable cost, if any. For users outside the US, please contact an XPOWER Distributor in your country or region for Warranty service and parts replacement.



## Maintenance Instructions

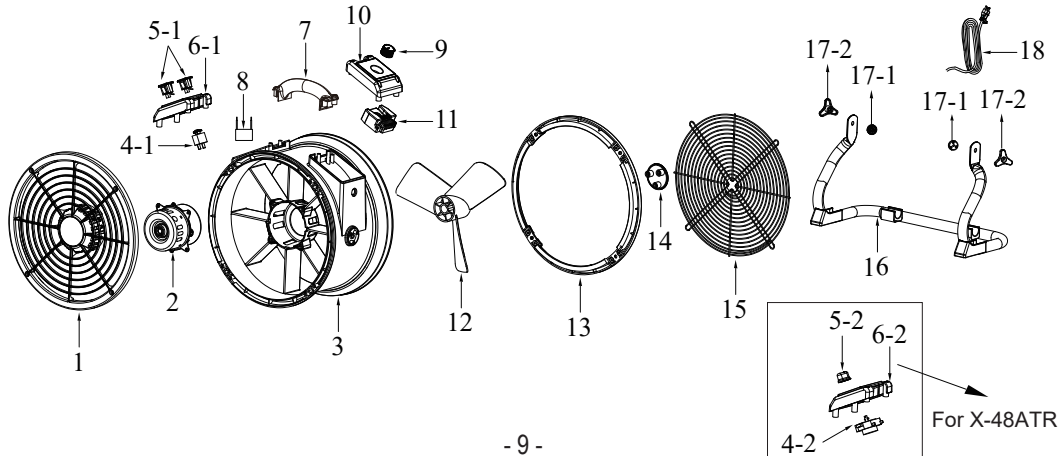
1. Always disconnect the axial air mover from its power source before performing any maintenance or cleaning.
2. Never clean the unit with water directly.
3. When not in use, unplug and store the axial air mover in a dry indoor place out of reach of children.
4. To keep the axial air mover clean, use a damp cloth to wipe the surface of the housing.

## Troubleshooting

<b>SYMPTOM</b>	<b>PROBABLE CAUSE</b>	<b>ACTION</b>
Motor Not Running	Switched Off	Make sure unit is plugged in and switch is turned to ON mode
	Power failure	Check outlet/Change to another outlet
	Wiring failure	Contact XPOWER for repair
Scraping Noise From Fan	Obstructions at the intake or exhaust of fan	Remove obstruction(s)
	Fan broken	Contact XPOWER for repair
Weak Air Flow	Obstructed vents/inlets	Clean out vents/inlets

## Parts List

Item #	Parts Name	Item #	Parts Name	Item #	Parts Name
1	Front Air Cover	2	Motor	3	Housing
4-1	Circuit Breaker	5-1	AC Receptacle	6-1	Receptacle Plate
4-2	Timer (X-48ATR)	5-2	Timer Knob (X-48ATR)	6-2	Timer Control Plate (X-48ATR)
7	Handle	8	Capacitor	9	Speed Knob
10	Speed Control Plate	11	PCB	12	Fan
13	Rear End Cover	14	Cover	15	Rear Air Cover
16	Rack	17-1 / 17-2	Washer / Rack Handle	18	Power Cord



## Warranty Registration (for US user only)

For your product warranty, please complete and mail / fax this form to XPOWER MANUFACTURE, INC.

Address: 220 Clary Ave., San Gabriel, CA 91776. Tel: 626-285-3301 Fax: 626-285-3302

(For your convenience, register your product online at [xpower.com](http://xpower.com))

Company Name / Contact Person / Title \_\_\_\_\_

Address \_\_\_\_\_ City \_\_\_\_\_

State / Province \_\_\_\_\_ Zip \_\_\_\_\_ Country \_\_\_\_\_

Phone \_\_\_\_\_ Fax \_\_\_\_\_ E-mail \_\_\_\_\_

**Model #** \_\_\_\_\_ **Serial #:** \_\_\_\_\_

**Date of Purchase** \_\_\_\_/\_\_\_\_/\_\_\_\_ **Purchased From** \_\_\_\_\_

**Additional Comments / Suggestions** \_\_\_\_\_



From: \_\_\_\_\_  
\_\_\_\_\_  
\_\_\_\_\_



TO:

XPOWER MANUFACTURE, INC.

220 Clary Avenue

San Gabriel, CA 91776, USA

Tel: 626-285-3301, Fax: 626-285-3302

