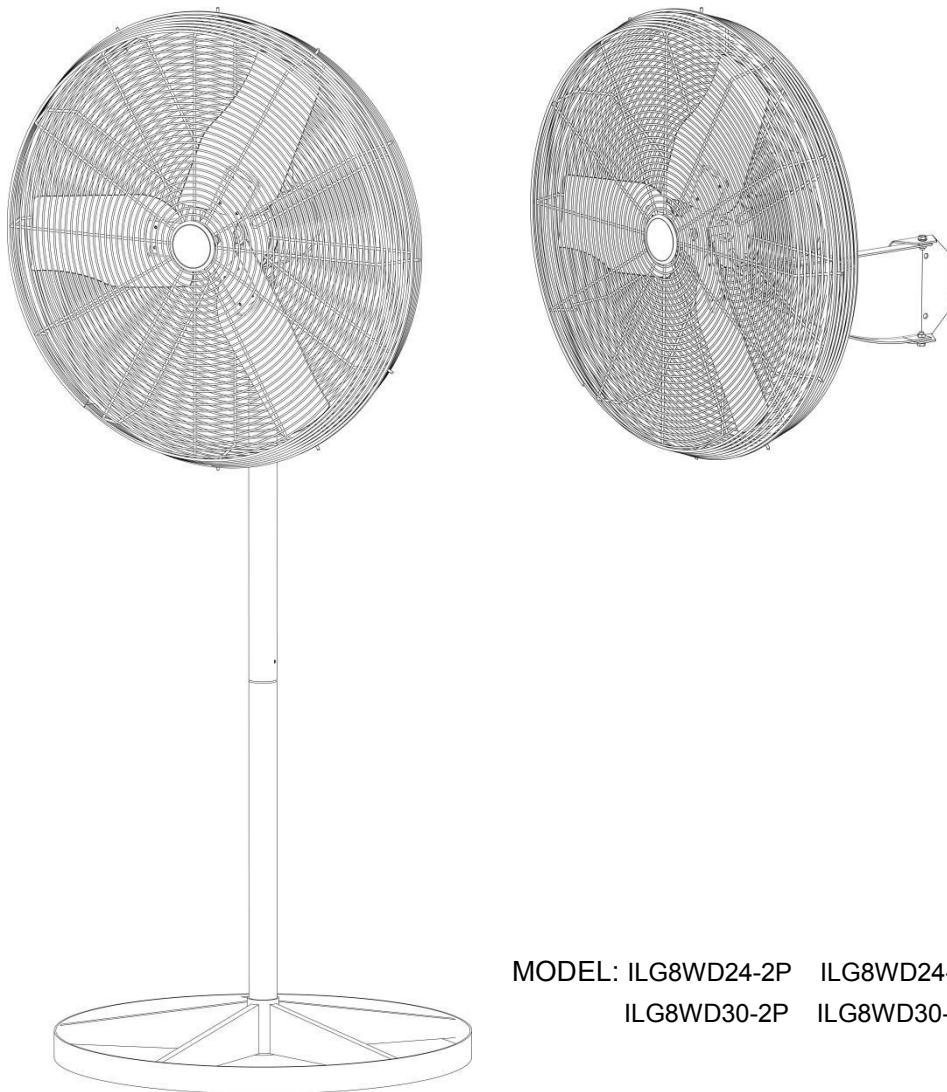




Washdown Rated Stainless Steel Pedestal and Wall Mounted Fan



MODEL: ILG8WD24-2P ILG8WD24-1W
 ILG8WD30-2P ILG8WD30-1W

Owner's Manual

**PLEASE READ AND
SAVE THESE INSTRUCTIONS**

TABLE OF CONTENTS

Important Instructions.....	3-4
Specifications.....	4
Parts of the fan.....	5-6
Installing Instructions.....	7-9
Electrical Wiring	10-12
Maintenance and Cleaning.....	12
Troubleshooting.....	13

IMPORTANT INSTRUCTIONS

CAUTION: Please read and save these instructions. Read carefully before attempting to assemble, install, operate or maintain the product described. Do not use the fan if any part is damaged or missing.

Protect yourself and others by observing all safety information. Failure to comply with instructions could result in personal injury and/or property damage!

Retain instructions for future reference.

WARNING: To reduce the risk of fire or electric shock, do not use this fan with any solid state speed control device. This fan must be grounded, when using a plug cable, must be a three prong plug. The fan's motor is a dual voltage motor, take care to select the correct wiring configuration based on your voltage level. This fan must be connected with a GFCI Protected Branch Circuit.

This fan is suitable for wet location. Suitable for Use In Wet Locations When Installed In A GFCI Protected Branch Circuit.

General Safety Information

NOTE: Air circulator is not to be used in unattended areas.

1. Ensure that the power source conforms to the electrical requirements of the fan.
2. Installed in accordance with the United States National Electrical Code (NEC) and all applicable local codes and ordinances. This work must be done by a qualified electrician, using copper wire only.
3. The power cord must use Type SJTW, at least No. 18 AWG, rated minimum 300V, 105 °C. The minimum length of the power cord for USL is 5 feet, for CNL is 6 feet. The maximum length of the power cord for USL is 25 feet, for CNL is 10 feet.
4. Do not kink the cord or allow it to contact oil, grease, chemicals, hot surfaces, or sharp or abrasive objects.
5. This fan is to be operated ONLY with its OSHA compliant guards in place to prevent persons and/or objects from contacting the revolving propeller. Any other use voids warranty and may create unsafe conditions.
6. Fan is intended for general air circulation ONLY. It must NOT be used in potentially dangerous locations such as flammable, explosive or chemical-laden atmospheres. Do not attach ductwork to the fan.
7. Fan motor is equipped with an automatically resetting control circuit that will disconnect power if the motor overheats. Always unplug fan before removing guard, as motor may restart unexpectedly.
8. Do not operate any fan with a damaged cord or plug. Discard fan or return to an authorized service facility for examination and/or repair.
9. Do not run cord under carpeting. Do not cover cord with throw rugs, runners, or similar coverings. Do not route cord under furniture or appliances. Arrange cord away from traffic area and where it will not be tripped over.
10. Disconnect the fan when moving it from one location to another.

11. Make sure the fan is on a stable, flat surface while it is in operation.
12. Disconnect the fan when removing the guards for cleaning.

WARNING: The fan must be grounded and installed in A GFCI Protected Branch Circuit. Improper connection may create the risk of electrocution. Use of such adapters is prohibited in Canada.

WARNING: Do not depend on any switch as the sole means of disconnecting power when installing or servicing the fan. Failure to do so may result in fatal electrical shock.

WARNING: Do not insert fingers or foreign objects into the fan. Do not block or tamper with the fan in any manner while it is in operation.

WARNING: Do not touch motor. May be hot enough to cause injury.

WARNING: Unplug prior to servicing unit.

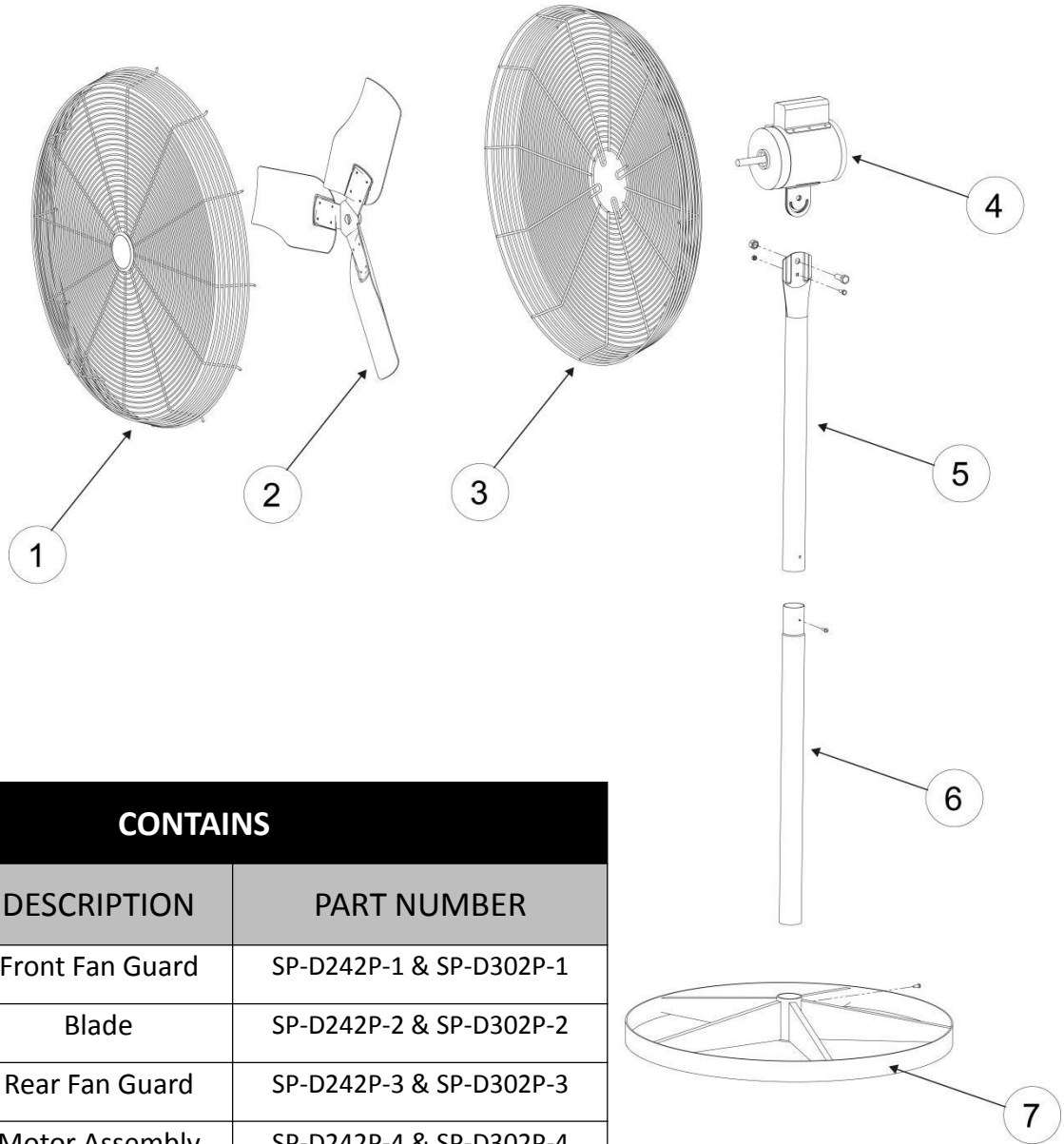
IMPORTANT: Surges in electrical power or excessive heat could cause the fan to automatically shut off. Should this occur, wait approximately 15 minutes for the fan to resume operation.

SAVE THESE INSTRUCTIONS

Product Specifications				
Model	ILG8WD24-2P	ILG8WD30-2P	ILG8WD24-1W	ILG8WD30-1W
Size(inch)	24	30	24	30
Voltage(V)	115/230	115/230	115/230	115/230
Frequency(Hz)	60	60	60	60
Wattage(W)	310/305	310/305	310/305	310/305
AMPS(A)	2.85/1.55	2.85/1.55	2.85/1.55	2.85/1.55
RPM	1050/1060	1050/1060	1050/1060	1050/1060
Airflow(CFM)	7200	9600	7200	9600
N.W.(LBS)	55.7	60.8	45.8	51.3
Certification	UL	UL	UL	UL

PARTS OF THE FAN

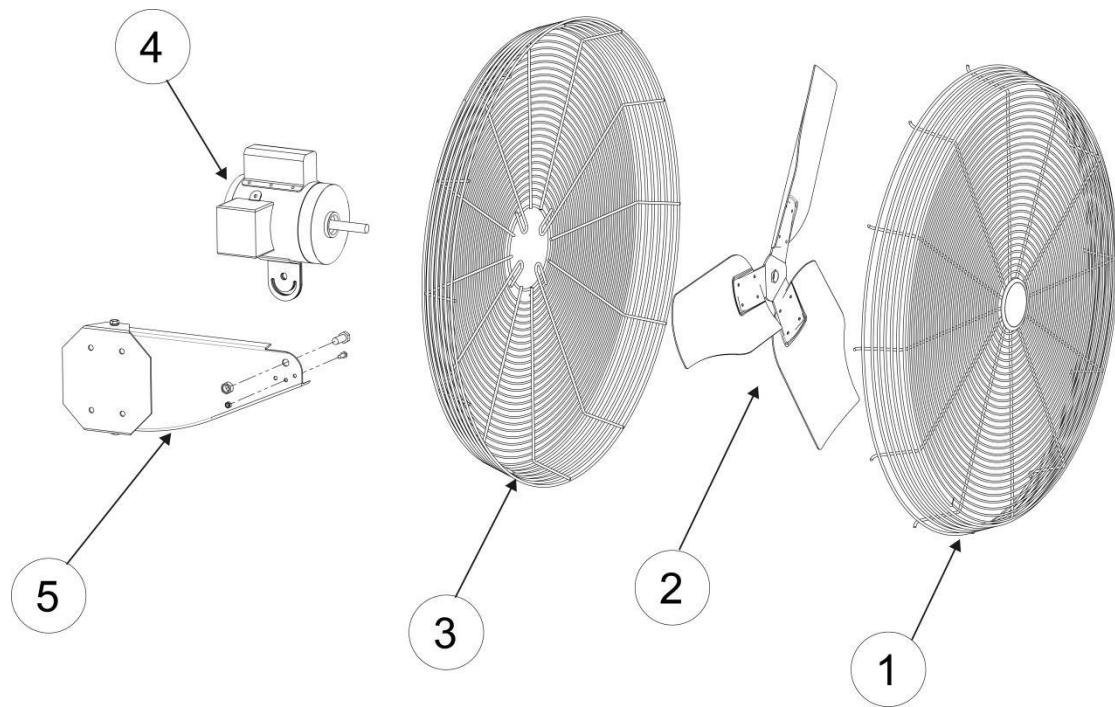
For the Washdown Rated Stainless Steel Pedestal Fan
 Model: ILG8WD24-2P & ILG8WD30-2P



CONTAINS

REF	QTY	DESCRIPTION	PART NUMBER
1	1	Front Fan Guard	SP-D242P-1 & SP-D302P-1
2	1	Blade	SP-D242P-2 & SP-D302P-2
3	1	Rear Fan Guard	SP-D242P-3 & SP-D302P-3
4	1	Motor Assembly	SP-D242P-4 & SP-D302P-4
5	1	Upper Column	SP-D242P-5 & SP-D302P-5
6	1	Lower Column	SP-D242P-6 & SP-D302P-6
7	1	Base Assembly	SP-D242P-7 & SP-D302P-7

For the Washdown Rated Stainless Steel Wall Mounted Fan
 Model: IILG8WD24-1W & ILG8WD30-1W



CONTAINS			
REF	QTY	DESCRIPTION	PART NUMBER
1	1	Front Fan Guard	SP-D241W-1 & SP-D301W-1
2	1	Blade	SP-D241W-2 & SP-D301W-2
3	1	Rear Fan Guard	SP-D241W-3 & SP-D301W-3
4	1	Motor Assembly	SP-D241W-4 & SP-D301W-4
5	1	Wall Mounting Bracket Assembly	SP-D241W-5 & SP-D301W-5

INSTALLATION INSTRUCTION

PRE-INSTALLATION:

All necessary screws are installed in the associate part for ease of tracking for customer. Please use the following pictures as guide to locate installation parts.

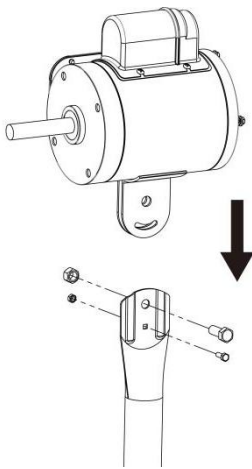
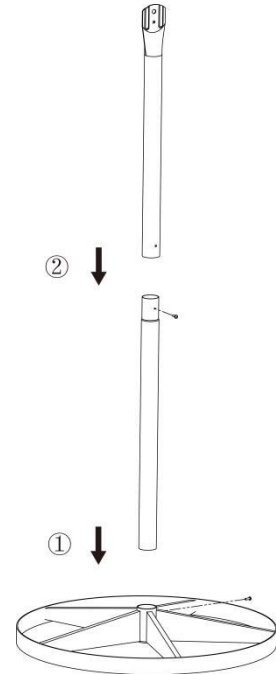
For the Washdown Rated Stainless Steel

Pedestal Fan

(Model: ILG8WD24-2P & ILG8WD30-2P)

Base Assembly INSTRUCTIONS:

1. Loosen the screw from the base assembly, insert the lower column to the base assembly. Align the hole of the lower column and base assembly , then tighten it.
2. Loosen the screws from the upper pose, insert the upper column to the lower column. Align the hole of the upper column and lower column , then tighten it.

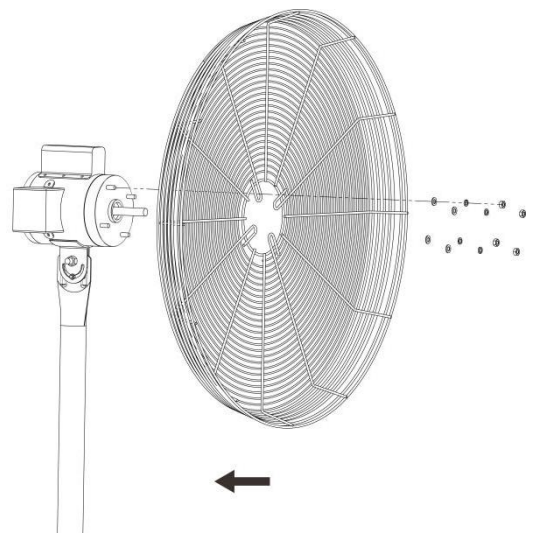


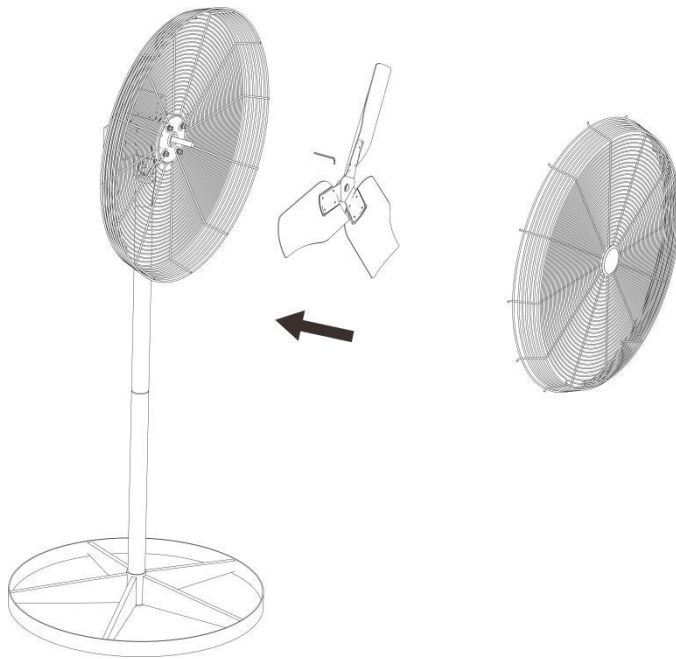
COLUMN/MOTOR ASSEMBLY INSTRUCTIONS:

1. Align the motor flange and column.
2. Insert the pivot screw through the motor flange, column and washer. Attach using the position nut and tighten it.
3. Insert the smaller position screw through the bottom radius. Attach it with the position nut.

GRILLE/MOTOR ASSEMBLY INSTRUCTIONS:

1. Unscrew the nuts and washers from the motor .
2. Arrange the rear guard in its proper position.
3. Attach the rear guard by inserting and tightening the nuts to the motor (through the eyelets on the guard).





4. Insert the blade into the motor shaft until it reaches a stopping point and the set screw is in line with the flat groove on the motor shaft.

NOTE: Make sure the blade's set screw is facing the motor. You may need to loosen the set screw at the rear of the blade to slide it onto the shaft.

5. Firmly tighten the blade's set screw with the spanner (not supplied).

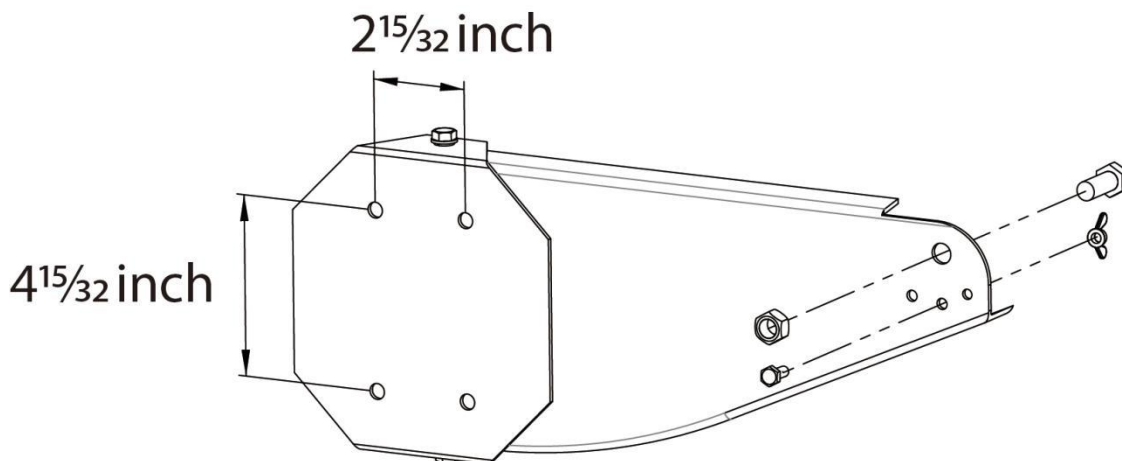
CAUTION: Do not alter the angle of the blades.

6. Hang front grill on top rib of rear grill by utilizing the "U" shaped fixed clip at top of front grill rim.

For the Washdown Rated Stainless Steel Wall Mounted Fan

(Model: IILG8WD24-1W & ILG8WD30-1W)

MOUNTING BASE ON A WOOD FRAMED WALL



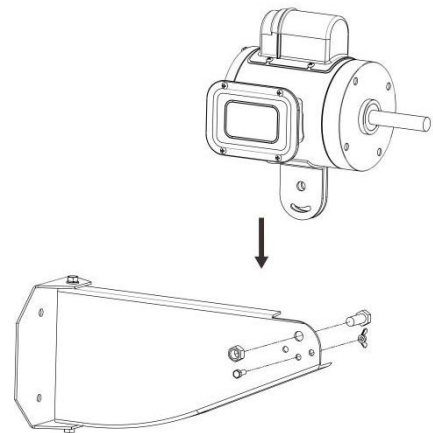
1. Located a wall stud secure and solid enough to hold the weight of the base assembly. Carefully located and mark the center of wall stud. If you do not have a solid structural framing member at that location then you must provide an adequate alternative for mounting the fan.
2. Place mounting bracket against the wall centered with the centerline of the wall stud and 4 holes.
3. Drill 4 holes on the wall and secure bracket to wall using 4 lag screws (not provided) .

If mounting on a concrete wall, be sure to locate a structurally solid and secure location to hold the weight of the fan assembly and use suitable concrete anchors (not provided) to mount the base to the wall.

WALL MOUNT BRACKET/ MOTOR ASSEMBLY

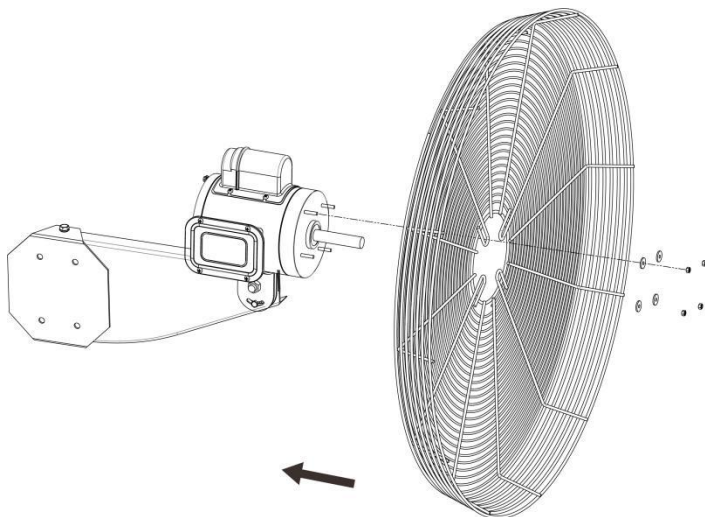
1. Remove the 2 bolts, washers and nuts from the mounting bracket.
2. Align the holes on the mounting bracket with the holes in the motor flange on the motor assembly.
3. Insert the bolts and replace the washers and nuts removed in step 1.
4. Tighten the position bolt and nut.

CAUTION: BE SURE TO SECURE THE KNOB.



MOTOR / REAR GRILLE & BALDE ASSEMBLY

1. Removed the 4 nuts, spring washers and flat washers from the bolts around the motor shaft.
2. Carefully slide the rear grille over the bolts.
3. Secure with the flat washers, spring washers and nuts removed in Step 1.
4. Carefully slide the blade assembly over the shaft and align the inner hex head driver provided with the slot on the shaft of the motor.

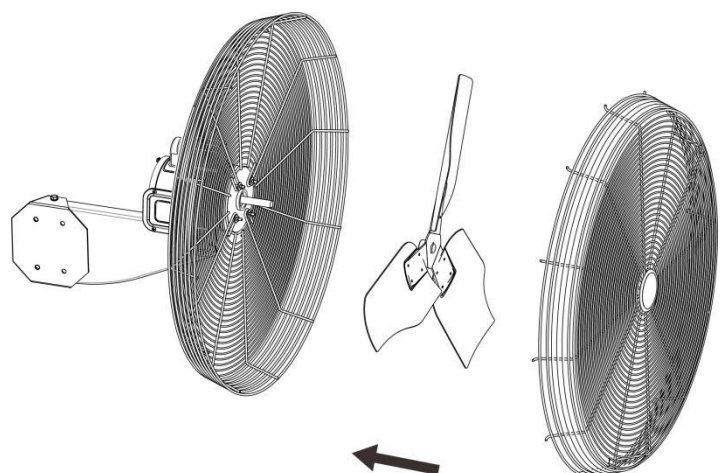


5. Tighten the blade assembly with the hex head screw using the hex head driver provided with the fan.

NOTE: Keep the hex driver for future use.

CAUTION: DO NOT ALTER THE ANGLE OF THE BLADES.

6. Hang front grille on top rib of rear grille by utilizing the hook.
7. Snap the front grille into the rear grille to secure.



ELECTRICAL WIRING

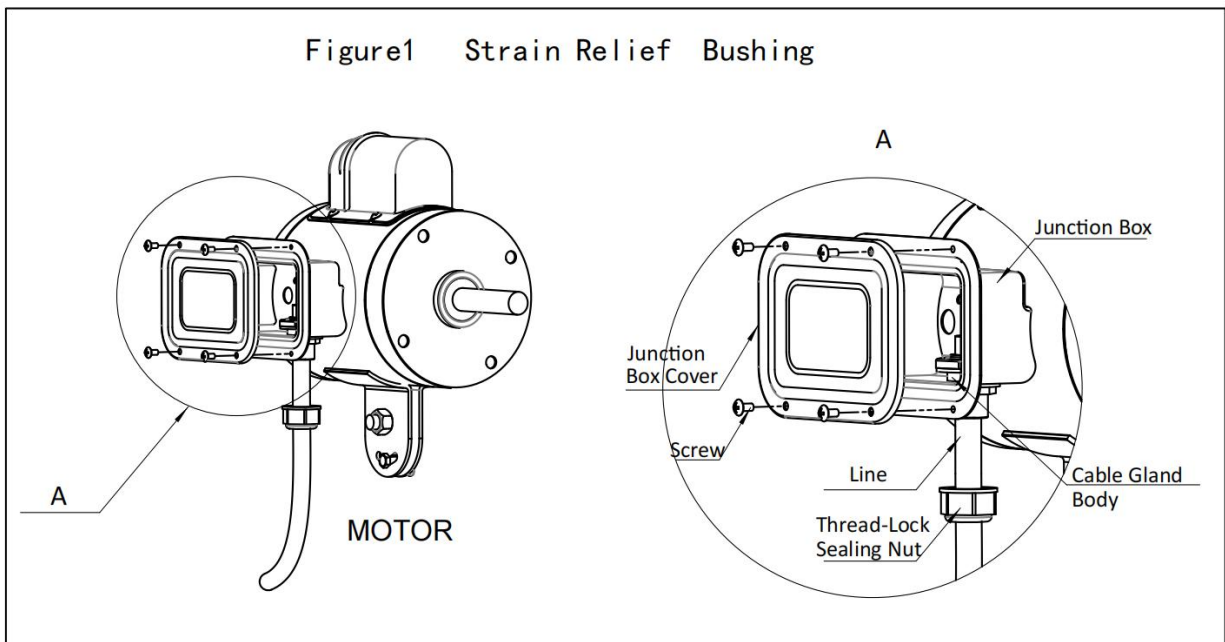
Your licensed electrician is responsible for providing all electrical components and making all necessary connections from the motor to the appropriate power source.

All Washdown Rated Stainless Steel Fans come with a wiring schematic, usually printed on the nameplate of the motor. Fans must be wired exactly as shown. This is a dual voltage motor, take care to select the correct wiring configuration based on your voltage level.

Warning: Improper wiring can damage motors, cause injury, and affect warranty coverage.

It is highly recommended that all fans have an independent disconnect switch located within visual sight of the fan. This switch should be used in conjunction with all “lock out, tag out” procedures during service and maintenance.

ELECTRICAL INSTALLATION (Power cord not included)



1. Remove the 4 screws from the Junction Box. Open the Junction Box Cover.
2. Unscrew the Thread-Lock Sealing Nut.
3. Thread the appropriate power cord through the Thread-Lock Sealing Nut and Cable Gland body in turn. (**Power cord not included**)
4. Follow the wiring diagram (Figure 2: 115V/60Hz, Figure 3: 230V/60Hz and table1: Plug and socket) for proper connections.
5. Tighten the Thread-Lock Sealing Nut.
Thread-Lock Sealing Nut tightening requirements: No movement of the power cord under a maximum tension of 36 LBS.
6. Install the junction box cover: **CAUTION: Make sure the sealing ring is in the original position after installation.**
Installation standard Requirements: Screws are tightened with a torque of 2.4NM.

Figure 2

115V/60Hz

- ⏏ ——— Connected to Power Ground Wire (Green)
- BROWN ——— Connected to Power Line Wire (Black)
- WHITE ———
- YELLOW ——— Connected to Power Neutral Wire (White)
- BLACK ———
- ORANGE ———
- RED ——— Connected together and insulated with the connector,
- BLUE ——— avoid the living parts touching the shell

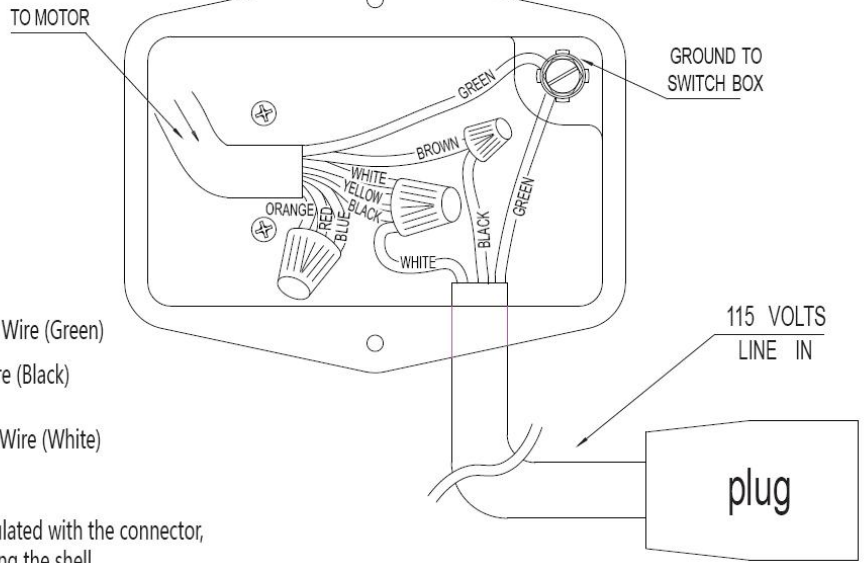


Figure 3

230V/60Hz

- ⏏ ——— Connected to Power Ground Wire (Green)
- BROWN ——— Connected to Power Line Wire (Black)
- YELLOW ——— Connected to Power Neutral Wire (White)
- BLACK ———
- BLUE ——— Insulated with the connector, avoid the living parts touching the shell
- ORANGE ———
- RED ——— Connected together and insulated with the connector,
- WHITE ——— avoid the living parts touching the shell

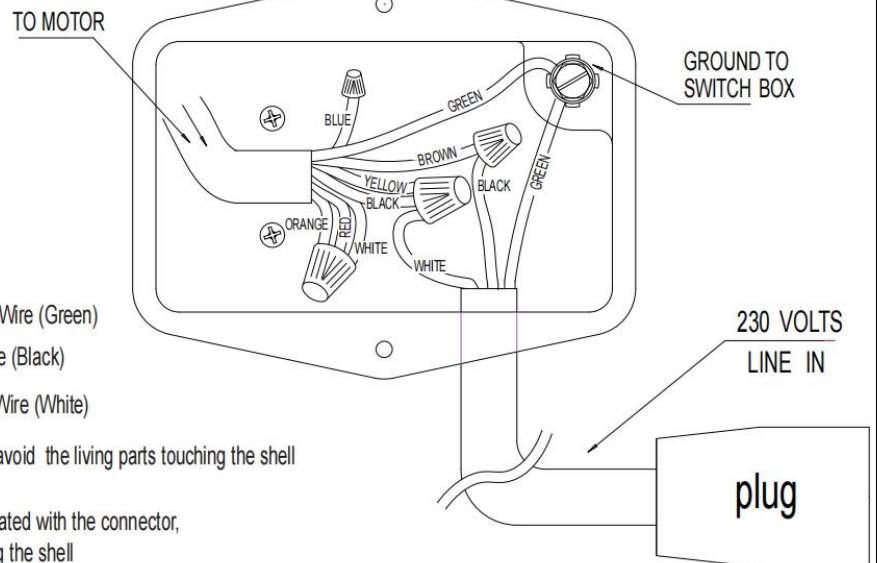


















Table 1 Plug and socket

2 Pole 3 Wire Grounding 2										
125V	 5-15R	 5-15P	 5-20R	 5-20P	 5-30R	 5-30P	 5-50R	 5-50P		
250V	 6-15R	 6-15P	 6-20R	 6-20P	 6-30R	 6-30P	 6-50R	 6-50P		

Wiring **115V**, according to the user socket, you can choose 5-15P, 5-20P, 5-30P,5-50P.
Wiring **230V**, according to the user socket, you can choose 6-15P, 6-20P, 6-30P,-50P.

MAINTENANCE AND CLEANING

WARNING: Parts replacement and troubleshooting to be performed only by qualified personnel.

WARNING: Do not depend on any switch as the sole means of disconnecting power when installing or servicing the fan. Failure to do so may result in fatal electrical shock.

WARNING: Unplug the fan from the wall outlet before servicing or cleaning.

CAUTION: There is no user maintenance part except regular cleaning as following description. All other servicing or maintenance should be performed by qualified service personnel.

**To clean the fan, use a soft damp cloth. Wipe down with a dry cloth.
Do not use cleaners that are harmful to paints or plastics.**

CAUTION: Do not use gasoline, benzene, thinner, harsh cleaners, etc., which are dangerous and will damage the air circulator.

The propeller, guard, and motor should be cleaned periodically to prevent overheating, and/or operating in an imbalanced condition.

CAUTION: If cleaning requires the removal of a guard, remove only the front guard and re-install when finished in its originally installed position. Do not repair propeller if it becomes damaged. The propeller is accurately balanced at the factory and should be replaced if damaged.

**Do not bend the blades.
Motor is permanently lubricated.**

TROUBLE SHOOTING

If your fan fails to operate, please follow these Instructions:

1. Make sure the fan is plugged in and the electrical outlet is working properly.
2. Check for any obstruction. If you find an obstruction, turn the fan "OFF". Unplug the fan and carefully remove the obstruction.

Plug the fan in and turn it on again and see if it resumes normal.

NOTE: IF YOU EXPERIENCE A PROBLEM WITH YOUR FAN, PLEASE DO NOT ATTEMPT TO OPEN OR REPAIR THE FAN YOURSELF. DOING SO COULD CAUSE DAMAGE OR PERSONAL INJURY. Always consult the authorized dealer or certified electrician for further action.

Warranty Information

This product comes with a 1-YEAR LIMITED COMPONENT WARRANTY. If your unit does not appear to be working properly, please contact our service center by calling 1-800-317-1688. Prior to your call, we encourage you to visit our service related website www.ilivingusa.com for troubleshooting tips and service instructions if needed.

Register your product at our website:



Or visit iLivingUSA.com/register-product

Feedback

Love it? Help us make the product more for you.



Let us know with a customer review.

Please visit: <https://www.amazon.com/review/review-your-purchases#>

At iLiving USA, we are committed to bringing top quality products to our customers.

iLIVING USA
860 Mahler Road,
Burlingame, CA 94010
Tel: 1-800-317-1688
Email: service@ilivingusa.com