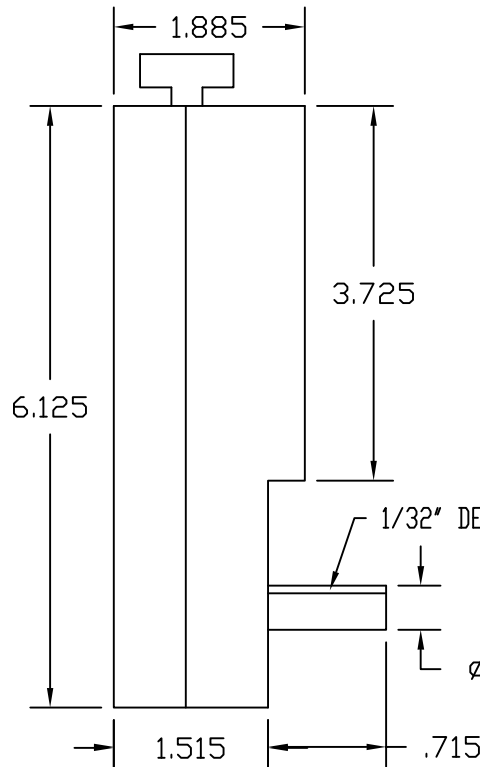
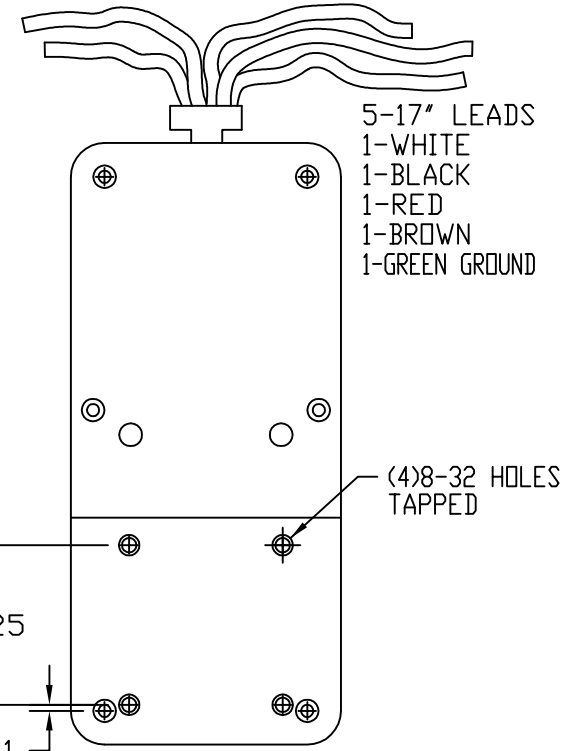


(4) 8-32 HOLES TAPPED



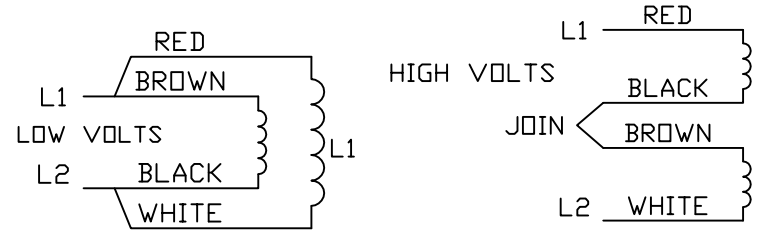
$\phi .314$
 $.312$ (A)



5-17" LEADS
1-WHITE
1-BLACK
1-RED
1-BROWN
1-GREEN GROUND

(4) 8-32 HOLES TAPPED

TYPICAL PERFORMANCE
120/240 VOLT 60HZ .16A ; 2 R.P.M
70 IN-LBS STALL, CLASS F INSULATION



I/WE CERTIFY THAT SAMPLES OF THIS MOTOR HAVE BEEN FULLY TESTED BY THE UNDERSIGNED AND THAT ALL SPECIFICATIONS HAVE BEEN REVIEWED FOR PRODUCTION. MULTI PRODUCTS COMPANY, INC. IS NOT RESPONSIBLE FOR MOTORS THAT FAIL IN THE FIELD DUE TO INSUFFICIENT TESTING OF THE SAMPLE MOTORS.

I/WE AGREE TO PROVIDE MULTI PRODUCTS COMPANY, INC. WITH CURRENT DRAWINGS AND IN-HOUSE TEST PROCEDURES AS THEY BECOME AVAILABLE.

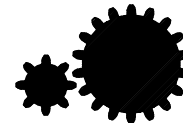
ANY CHANGES THAT I/WE MAY MAKE WHICH OCCUR AFTER THE DATE SHOWN ARE SUBJECT TO REVIEW AND MAY AFFECT UNIT PRICE AND/OR DELIVERY DATES.

A	$\phi .314 / .312$ WAS $\phi .3125 / .3120$	2/25/19	3198
REV	REVISION	DATE	ECD#

TOLERANCES

X.XX = $\pm .010$
X.XXX = $\pm .005$
FRACTION = $\pm 1/64$
DEGREE = $\pm 2^\circ$

UNLESS OTHERWISE SPECIFIED



MULTI PRODUCTS
Company, Inc.

PART NAME/DESCRIPTION J & D SALES			
DRAWN BY: PJ	DATE: 12-8-04	SCALE:	MATERIAL:
CHK'D BY:	DATE:	PART NUMBER: MOD-UL19J-3695	
APPR'D BY:	DATE:		

SIGNATURE _____ PRINT NAME _____ DATE _____

IN ORDER TO BEGIN PRODUCTION, MULTI PRODUCTS COMPANY, INC. MUST HAVE SIGNED APPROVAL.