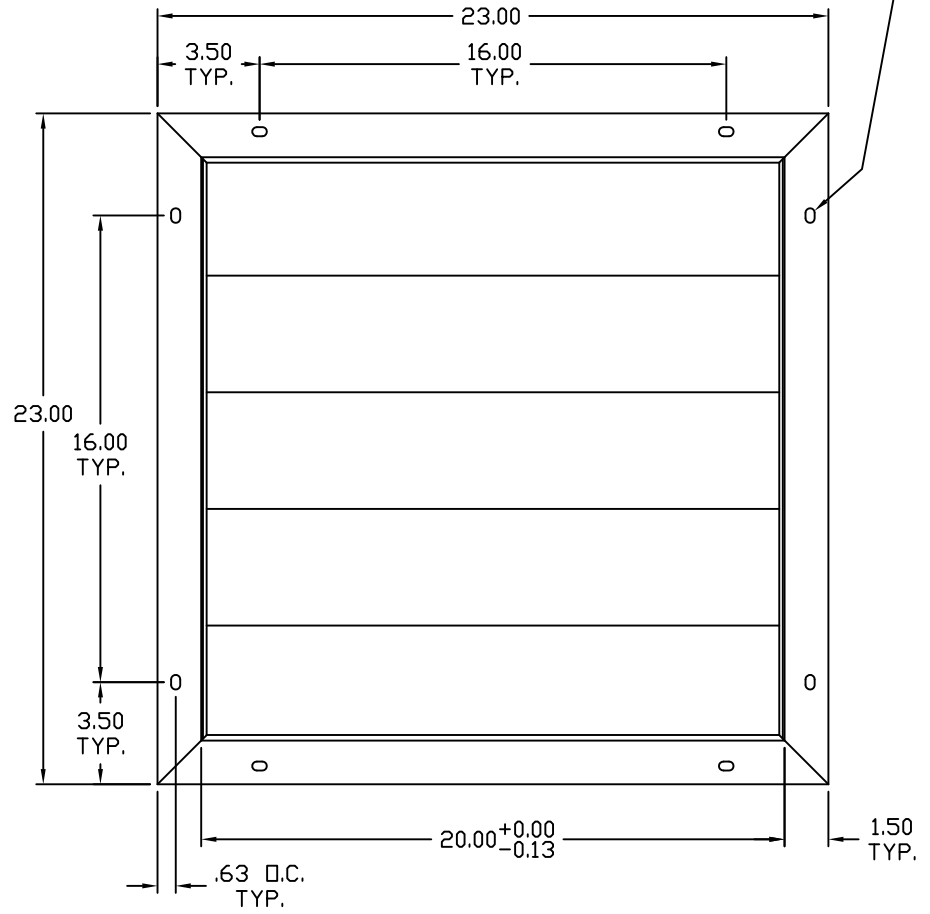
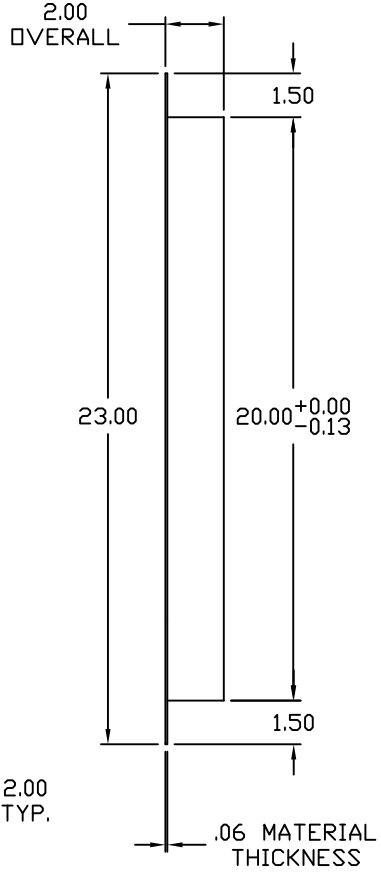
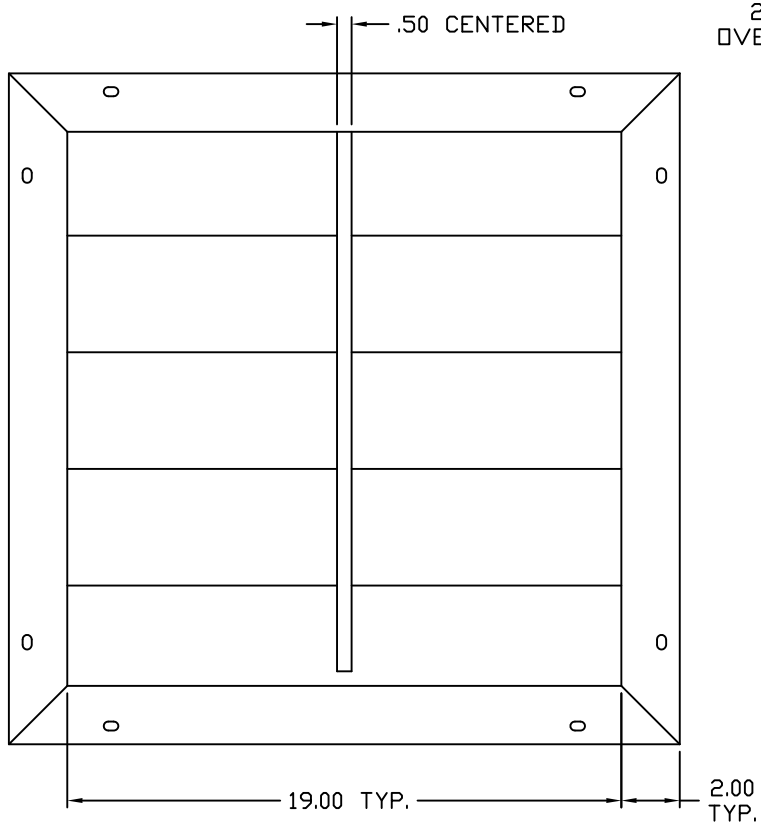


5/16" X 1/2"
8 SLOTS



AA	12/12/07	REDRAWN
REV	BY	DATE DESCRIPTION
DO NOT SCALE PRINT		
ALL WELDS MUST BE IN ACCORDANCE WITH A.W.S STANDARDS D1.1-1996,D14.1-70 OR D10.9-69		
THIS DRAWING IS THE PROPERTY OF J&D MANUFACTURING AND ALL THE INFORMATION THEREIN IS CONFIDENTIAL AND MUST NOT BE MADE PUBLIC, NOR USED TO THE DISADVANTAGE OF J&D MANUFACTURING AND IS SUBJECT TO RETURN ON DEMAND.		

J&D Manufacturing						IMPLIED TOLERANCE	
						X.X	± .10
						X.XX	± .030
						X.XXX	± .015
						FRACTIONAL	± 1/16
						ANGULAR	± 0.5 deg
TITLE 20" SHUTTER ALUMINUM						SCALE	DRAWN
CAD DRAWING-DO NOT REVISE MANUALLY						DATE	CHECKED
						APPROVED	SHEET
						1 OF 1	DRAWING NUMBER
							VRSG20A-C