

VK  
 INLINE CENTRIFUGAL FAN

**DESCRIPTION**

VENTS VK inline fans assure efficient and reliable operation. The VENTS VK fans are specially designed for simple installation and years of maintenance free operation. The VENTS VK fans are supplied with an easy to fit mounting bracket and can be mounted at any angle and at any point along the duct. Suitable for wide range diameter sizes (from 4" to 12").

Five year warranty.

**DESIGN**

The fans' casing is made of high quality, UV-resistant plastic (UL94 certified plastic).

**MOTOR**

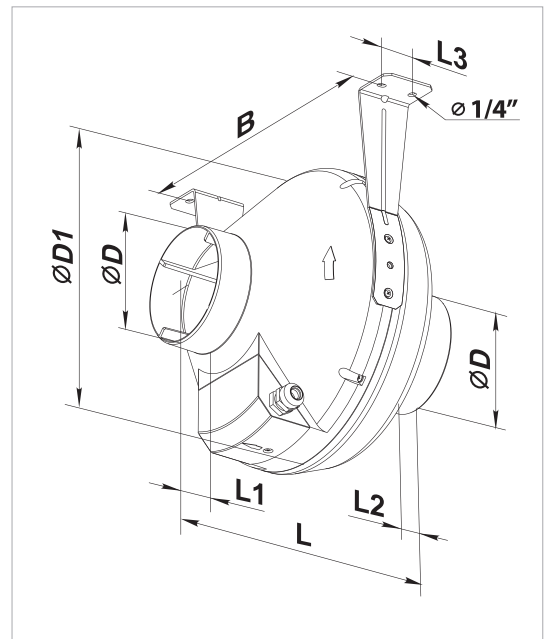
The fan is fitted with backward curved centrifugal impeller driven by powerful sealed external rotor motor with lifelong bearings and thermal protection.

**SUITABLE FOR**

The fans are suitable for a wide range of residential and commercial exhaust or supply air applications, such as bathrooms, kitchens, restaurants or equipment cooling.


**DIMENSIONS**

| Model    | Measurements [in.] |           |           |          |         |         |         | lbs  |
|----------|--------------------|-----------|-----------|----------|---------|---------|---------|------|
|          | ØD                 | ØD1       | B         | L        | L1      | L2      | L3      |      |
| VK 100   | 3 15/16"           | 9 13/16"  | 10 5/8"   | 9 1/16"  | 1 3/16" | 1 1/16" | 1 3/16" | 4.7  |
| VK 125   | 4 15/16"           | 9 13/16"  | 10 5/8"   | 8 11/16" | 1 3/16" | 1 1/16" | 1 3/16" | 4.9  |
| VK 150 E | 5 7/8"             | 11 13/16" | 12 3/16"  | 11 1/4"  | 1 3/16" | 1 3/16" | 1 3/16" | 5.7  |
| VK 150   | 5 7/8"             | 11 13/16" | 12 3/16"  | 11 1/4"  | 1 3/16" | 1 3/16" | 1 3/16" | 5.7  |
| VK 200 E | 7 7/8"             | 13 3/8"   | 13 15/16" | 10 7/8"  | 1 3/16" | 1 3/16" | 1 9/16" | 8.8  |
| VK 200   | 7 7/8"             | 13 3/8"   | 13 15/16" | 10 7/8"  | 1 3/16" | 1 3/16" | 1 9/16" | 8.8  |
| VK 250   | 9 13/16"           | 13 3/8"   | 13 15/16" | 10 7/16" | 1 3/16" | 1 3/16" | 1 9/16" | 9.9  |
| VK 315   | 12 3/8"            | 15 3/4"   | 16 5/16"  | 16 5/16" | 1 9/16" | 2 3/16" | 1 9/16" | 11.2 |



**PERFORMANCE**

| Model    | Duct dia | Energy Star compliant | Sones at 10 feet | RPM* | Watts* | CFM vs. Static Pressure (Ps) in WG |        |      |       |        |      |       |      |       |      | Volt/Hz |
|----------|----------|-----------------------|------------------|------|--------|------------------------------------|--------|------|-------|--------|------|-------|------|-------|------|---------|
|          |          |                       |                  |      |        | 0"                                 | 0.125" | 0.2" | 0.25" | 0.375" | 0.5" | 0.75" | 1.0" | 1.25" | 1.5" |         |
| VK 100   | 4"       | no                    | 2.3              | 3344 | 88     | 174                                | 165    | 160  | 156   | 146    | 137  | 118   | 98   | 80    | 57   | 120/60  |
| VK 125   | 5"       | no                    | 2.3              | 2960 | 114    | 235                                | 222    | 214  | 207   | 193    | 178  | 151   | 123  | 99    | 72   | 120/60  |
| VK 150 E | 6"       | yes                   | 3.8              | 3000 | 51     | 228                                | 213    | 205  | 198   | 175    | 151  | 104   | 44   | -     | -    | 120/60  |
| VK 150   | 6"       | no                    | 2.7              | 2907 | 113    | 317                                | 300    | 289  | 282   | 265    | 247  | 212   | 178  | 132   | 68   | 120/60  |
| VK 200 E | 8"       | yes                   | 3.9              | 3275 | 88     | 418                                | 397    | 382  | 370   | 345    | 316  | 260   | 200  | 140   | 54   | 120/60  |
| VK 200   | 8"       | no                    | 3.5              | 3016 | 140    | 507                                | 481    | 465  | 455   | 423    | 395  | 343   | 287  | 238   | 189  | 120/60  |
| VK 250   | 10"      | no                    | 4.3              | 2604 | 293    | 735                                | 699    | 675  | 658   | 625    | 558  | 507   | 432  | 369   | 307  | 120/60  |
| VK 315   | 12"      | no                    | 4.1              | 2641 | 269    | 871                                | 817    | 779  | 758   | 703    | 635  | 501   | 393  | 324   | 266  | 120/60  |

\* The parameters RPM, Watts are indicated at 0.2 in WG static pressure.

| MODEL | QUANTITY | COMMENTS | PROJECT       |
|-------|----------|----------|---------------|
|       |          |          | location:     |
|       |          |          | architect:    |
|       |          |          | engineer:     |
|       |          |          | contractor:   |
|       |          |          | submitted by: |