

PRODUCT SPECIFICATIONS

TECHNICAL DATA

INLINE CENTRIFUGAL FAN



DESCRIPTION

VENTS VKM inline centrifugal duct fans are designed for residential and commercial ventilation applications. The fan's housing is made of steel with polymer coating. The quiet and efficient backward curved impeller is capable of operating in high pressure systems. In-line configuration simplifies installation. All VKM models are designed for standard diameter round ducting. VENTS VKM inline duct fans can eliminate many ventilation problems. They are designed to boost airflow through long or complex duct runs and provide ideal solutions for residential and commercial applications. VENTS VKM sizes range from 4" to 12" with airflows ranging up to 985 CFM. The VKM series fans are specifically for simple installation and maintenance free operation.

Five year warranty.

CASING

Fans have a housing made of steel with polymer coating.

MOTOR

Motors are supplied with automatic reset thermal protection and are equipped with ball bearings for longer service life (40,000 hrs).

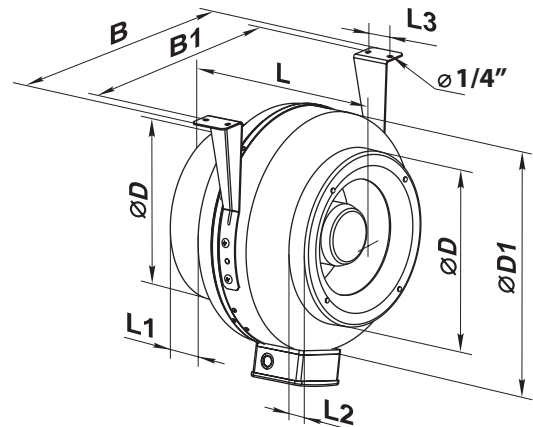
Suitable for air stream temperature from -13 °F to 105 °F.

SUITABLE FOR:

Bathroom exhaust; kitchen ventilation; living area; whole house ventilation; workshops & smoking areas; offices; bars & restaurants; warehouses; duct boosting.

DIMENSIONS

Model	Measurements [in.]								Duct dia
	Ø D	Ø D1	B	B1	L	L1	L2	L3	
VKM 100	3 15/16"	10"	11 3/4"	10 3/16"	8 1/16"	13/16"	1"	1 3/16"	4"
VKM 125	4 15/16"	10"	11 3/4"	10 3/16"	8 1/16"	13/16"	1"	1 3/16"	5"
VKM 150 E	5 7/8"	11 15/16"	13 3/4"	12 3/16"	8 11/16"	1"	1"	1 3/16"	6"
VKM 150	5 7/8"	11 15/16"	13 3/4"	12 3/16"	8 11/16"	1"	1"	1 3/16"	6"
VKM 200 E	7 7/8"	13 9/16"	15 3/8"	13 3/4"	9 7/8"	1"	1 1/8"	1 9/16"	8"
VKM 200	7 7/8"	13 9/16"	15 3/8"	13 3/4"	9 7/8"	1"	1 1/8"	1 9/16"	8"
VKMS 200	7 7/8"	13 9/16"	15 3/8"	13 3/4"	9 7/8"	1"	1 1/8"	1 9/16"	8"
VKM 250 E	9 13/16"	13 9/16"	15 3/8"	13 3/4"	9 3/16"	1"	1 1/4"	1 9/16"	10"
VKM 250	9 13/16"	13 9/16"	15 3/8"	13 3/4"	9 3/16"	1"	1 1/4"	1 9/16"	10"
VKM 305 E	12"	15 7/8"	17 3/4"	16 5/16"	10 1/4"	15/16"	1 3/16"	1 9/16"	12"
VKM 305	12"	15 7/8"	17 3/4"	16 5/16"	10 1/4"	15/16"	1 3/16"	1 9/16"	12"
VKMS 305	12"	15 7/8"	17 3/4"	16 5/16"	10 1/4"	15/16"	1 3/16"	1 9/16"	12"



PRODUCT SPECIFICATIONS

TECHNICAL DATA

INLINE CENTRIFUGAL FAN

PERFORMANCE

Model	Current* [Amp]	Power* [W]	RPM*	Energy Star compliant	[Volts/Hz]
VKM 100	0.90	108	3000	No	120/60
VKM 125	0.61	73	3244	No	120/60
VKM 150 E	0.44	51	3036	Yes	120/60
VKM 150	1.27	152	3287	No	120/60
VKM 200 E	0.75	89	3288	Yes	120/60
VKM 200	1.63	195	2520	No	120/60
VKMS 200	2.14	240	2745	No	120/60
VKM 250 E	1.20	144	2832	Yes	120/60
VKM 250	1.95	232	2516	No	120/60
VKM 305 E	1.22	146	2772	Yes	120/60
VKM 305	2.10	244	2981	No	120/60
VKMS 305	2.42	272	2320	No	120/60

* The parameters Volts, Watts, Amps are indicated at 0.2 in WG static pressure

Model	CFM vs. Static Pressure (Ps) in WG											Max Ps
	0"	0.125"	0.2"	0.25"	0.375"	0.5"	0.75"	1.0"	1.25"	1.5"	2.5"	
VKM 100	174	167	162	159	151	142	124	106	84	60	-	2.13
VKM 125	231	213	202	194	177	162	130	103	75	42	-	1.83
VKM 150 E	254	235	225	216	196	175	137	93	34	-	-	1.475
VKM 150	460	436	422	415	390	360	307	255	212	172	20	2.6
VKM 200 E	445	421	405	396	374	350	301	252	225	143	-	1.925
VKM 200	541	502	480	464	428	391	320	265	222	183	36	2.76
VKMS 200	657	640	632	625	608	590	550	498	434	370	112	2.80
VKM 250 E	680	655	631	610	587	535	426	323	284	194	-	2.375
VKM 250	678	638	613	599	550	479	408	340	292	248	90	3.00
VKM 305 E	695	650	625	610	575	520	405	315	248	180	-	2.30
VKM 305	784	756	738	727	698	669	611	542	480	428	168	3.25
VKMS 305	985	920	890	869	818	773	680	594	512	441	210	3.65

MODEL	QUANTITY	COMMENTS	PROJECT
			location:
			architect:
			engineer:
			contractor:
			submitted by:

400 Murray Road, Cincinnati, OH 45217
 Tel: 1-888-640-0925,
 513-583-5786
 Fax: 513-268-4597

E-mail: sales@ventsus.com
 support@ventsus.com
 zoltan@ventsus.com

