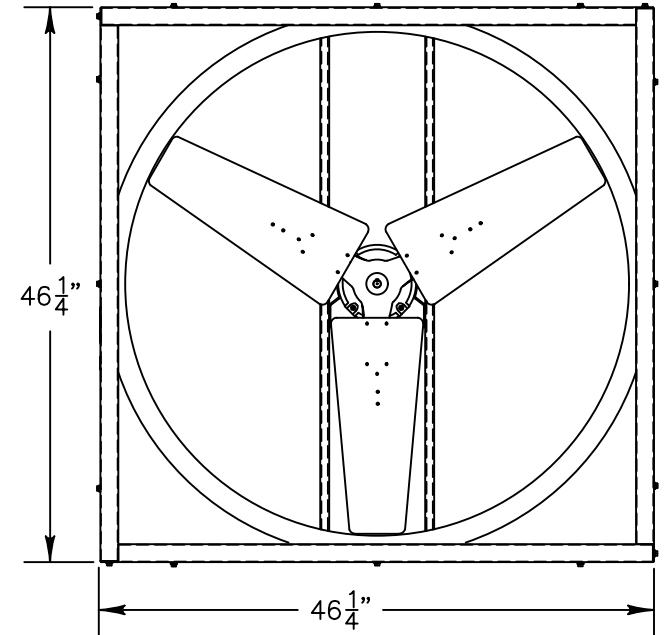
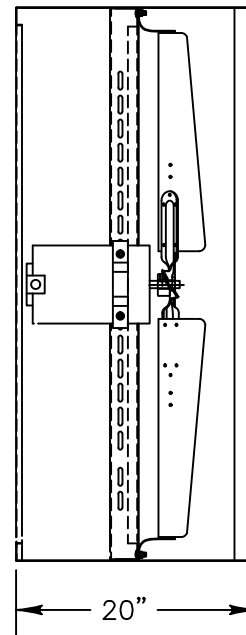


INTAKE VIEW



DISCHARGE VIEW

Exhaust Fan Specifications

Blade Diameter:	42"	Motor Enclosure:	TEAO
Drive:	Direct	Duty Cycle:	Continuous Duty
Horsepower:	1	Guards:	N/A
Voltage:	230/460	Power Cord:	N/A
Phase:	3		
RPM:	850		

*See TriangleFans.com for performance specifications
 *Specifications are subject to change without notice



VID4215T-X

NOT TO SCALE | 4 MAR 2009