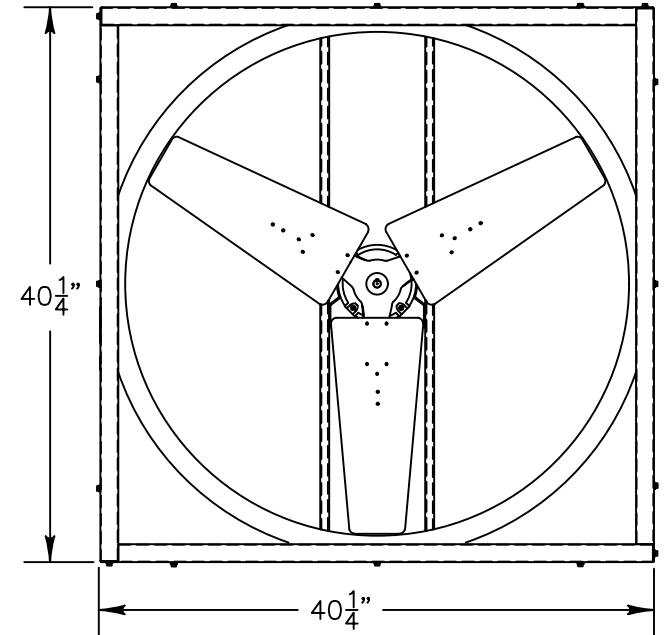
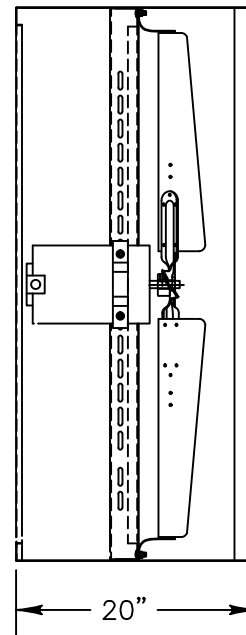


INTAKE VIEW



DISCHARGE VIEW

### Exhaust Fan Specifications

Blade Diameter:	36"	Motor Enclosure:	TEAO
Drive:	Direct	Duty Cycle:	Continuous Duty
Horsepower:	1	Guards:	N/A
Voltage:	230/460	Power Cord:	N/A
Phase:	3		
RPM:	840		

\*See TriangleFans.com for performance specifications  
 \*Specifications are subject to change without notice



VID3615T-X

NOT TO SCALE | 4 MAR 2009