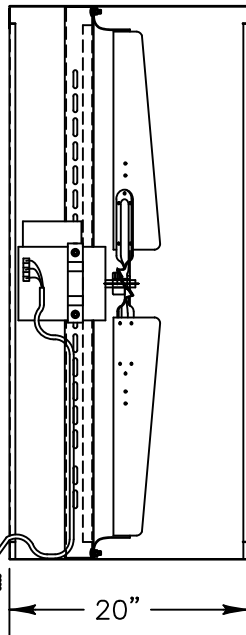
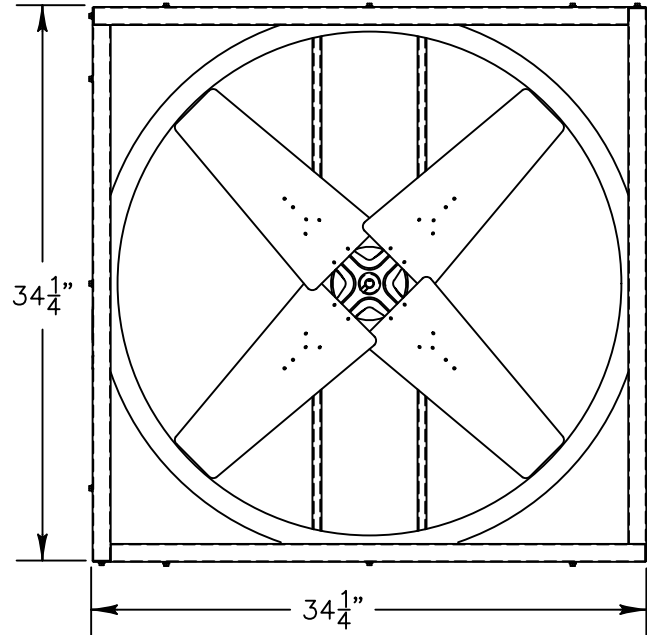


INTAKE VIEW



20"
8 FOOT OF CORD
OUTSIDE THE BOX.



DISCHARGE VIEW

Exhaust Fan Specifications

Blade Diameter:	30"	Motor Enclosure:	TEAO
Drive:	Direct	Duty Cycle:	Continuous Duty
Horsepower:	1/2	Guards:	N/A
Voltage:	115	Power Cord:	8' with molded plug
Phase:	1		
RPM:	840		

*See TriangleFans.com for performance specifications
 *Specifications are subject to change without notice



VID3013T-V

NOT TO SCALE | 4 MAR 2009