



Technical data

Voltage	U	265/460	V
Phase		3	~
Frequency		60	Hz
Speed		1640	RPM
Power consumption	P _e	2400	W
Nominal current	I	7.8/4.5	A
Maximum current	I	8.2/4.8	A
Capacitor		-	μF
Ambient temperature	T _{amb min/max}	-13...104	°F
Insulation Class		CL.F	
IP Class Fan		IP55	
Weight		59.1	Lbs.
Packing dimensions		34.3x34.3x15.6	inch

Fan details

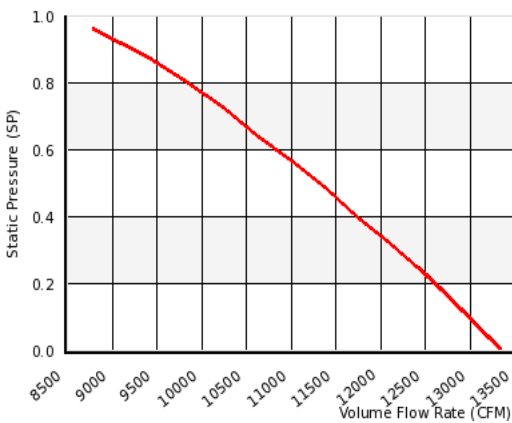
Impeller blades	4
Impeller type	5
Impeller system	G
Impeller material	PG

Control options

Triac controller	No
Transformer	No
Frequency drive	Yes
Intelligent Fan Drive	No

Characteristics

0.00 in. wg	13350 CFM
0.60 in. wg	10850 CFM



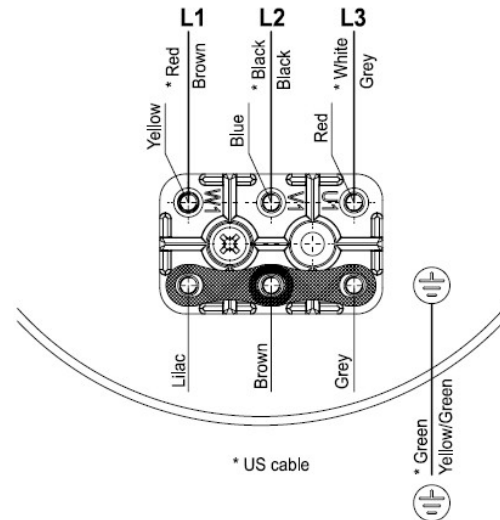
Please note: Picture may deviate from original product

Approval(s)

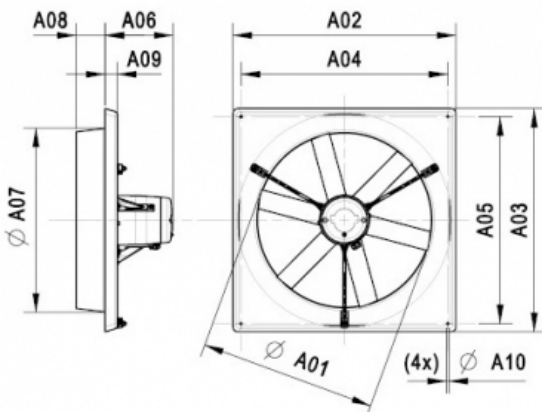


Wiring diagram - Fan

AB01 - 3 Phase - Star connected - CCW



Dimensions



A01:	28.0 inch
A02:	33.5 inch
A03:	33.5 inch
A04:	31.1 inch
A05:	31.1 inch
A06:	9.7 inch
A07:	29.1 inch
A08:	4.1 inch
A09:	1.6 inch
A10:	0.4 inch