



CEILING MOUNTED FANS

Triangle's Ceiling Mounted fans are rugged, low-cost air movers and are available in direct drive models up to 48" and belt drive models up to 84". Yoke mounted models allow for precise, directional cooling of people, products or equipment. They are used worldwide to cool assembly lines, machine shops, loading docks, gymnasiums, warehouses, or anywhere a high volume of air movement is required.

Features

- Heavy gauge steel barrels
- Deep pitched blades for maximum air flow
- OSHA approved spiral wound guard
- Single and three-phase models available
- Suspension or yoke mounted models



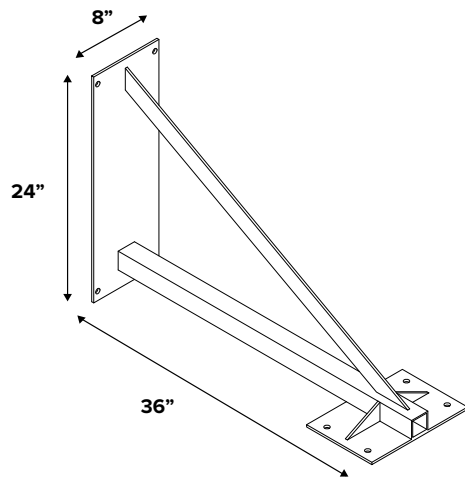


THE CMPC

- Direct drive
- Easy overhead mounting
- Safety cable included
- Tilts up/down 90° swivels 360°

The "CMPC" is great for factories, gymnasiums or anywhere there is a need to have precise directional ceiling mounted air

Model	Blade Diameter	CFM	RPM	HP	Amps	Width	Depth	Height	Approximate Weight
CMPC3021	30"	8,200 / 6,600	825 / 680	1/4	3.8	36"	12"	37"	96
CMPC3613	36"	10,900	825	1/2	6.0	44"	19"	51"	180
CMPC4213	42"	13,600	825	1/2	6.0	51"	19"	56"	190
CMPC4815	48"	19,100	850	1	9.1	57"	24"	63"	235



MOUNTING ACCESSORIES

Model: VMB111

- Beam Mount
- Durable polyester powder coat finish
- Compatible with CMB and CMPC models

