

TOUCH 'N' GO PREMIER

7" Digital Touch Screen Multi-Fan Controller

KEY FEATURES

- Control multiple fans in groups or individually
- Operate your fans in either forward or reverse
- 0-100% speed control
- Fully digital interface
- Visual indicators of speed and direction
- Password lockout capability

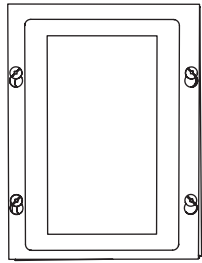
CONTROLLER SPECIFICATIONS

Power Supply	External 24V (supplied)	Fans/Control	Up to 10
Dimensions	4.75"W x 7.125"L x 0.5"D	Rating	IP30
Weight	0.5 lb.	Display Resolution	272 x 480 pixels
Language Protocol	0-10v signal/CAN	Speed Pot Connection	4 Core 16 AWG Shielded Wire (field supplied)
Touchscreen Size	7"	VFD Connection	6 Core 24 AWG Shielded Wire (field supplied)
Enclosure Material	Steel	Max. Cable Length	1,640 Feet (500 meters)
Luminance	380	Enclosure Dimensions	8"W x 6"L x 4"D

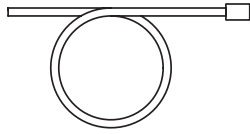
TOUCH 'N' GO PREMIER

Digital, Multi-Fan Controller

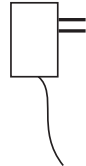
PACKAGE CONTENTS & ASSEMBLY



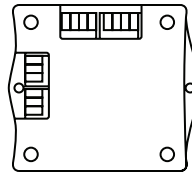
A. TNG Control
(x1)



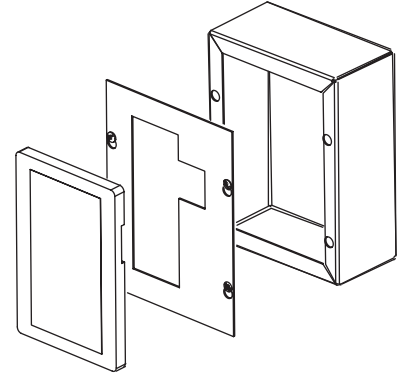
B. 9" Control Cable Pigtail
(x1)



C. 4-ft Power Supply
(x1)



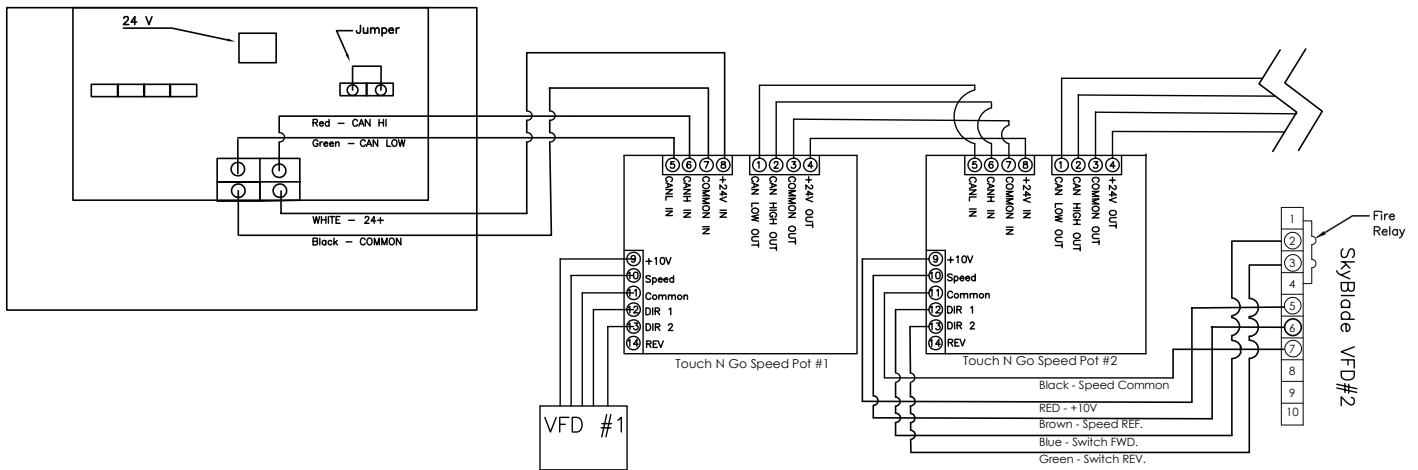
D. Pot Board
(1 per fan)



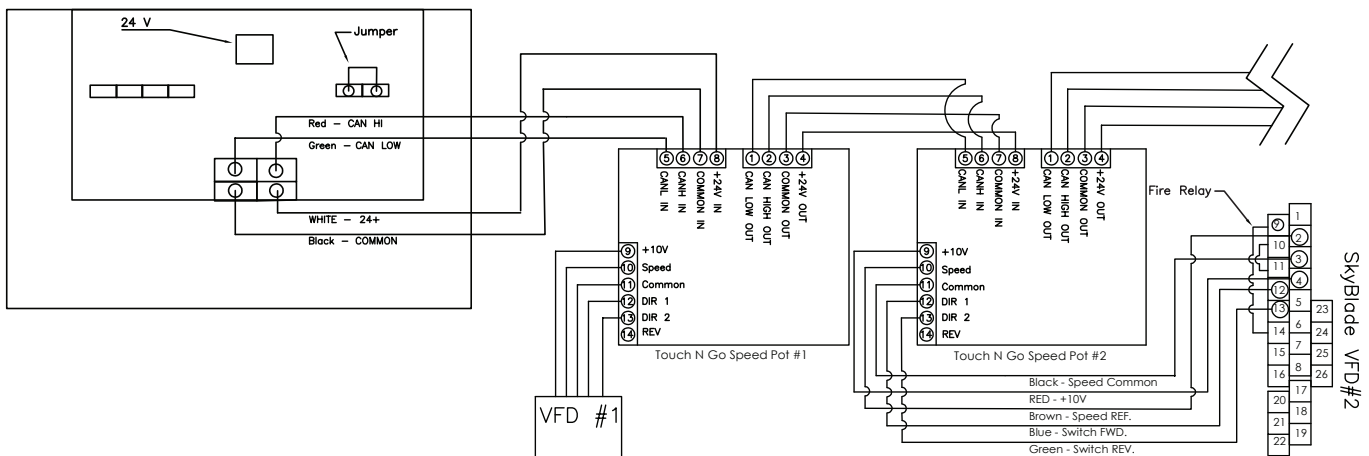
WIRING DIAGRAM - GEARED DRIVE FAN (ABB DRIVE)

NOTE: Pot boards must be installed within 15 feet from the fan (outside of VFD enclosure).

120V/1PH - ABB DRIVE



230V/1PH, 230V/3PH & 460V/3PH - ABB DRIVE



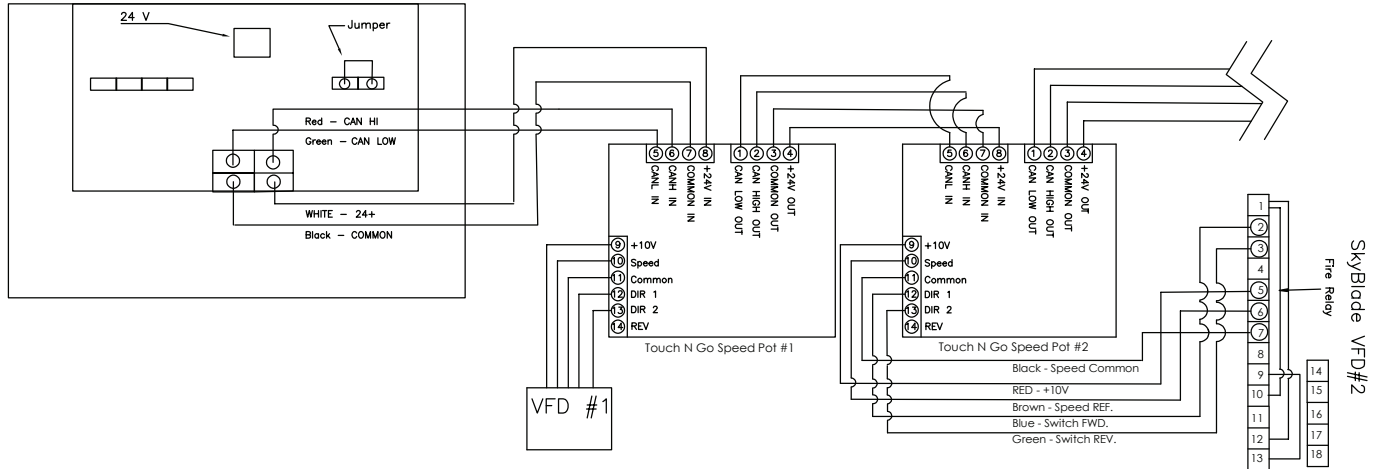
TOUCH 'N' GO PREMIER

Digital, Multi-Fan Controller

WIRING DIAGRAM - GEARED DRIVE FAN (ABB DRIVE)

NOTE: Pot boards must be installed within 15 feet from the fan (outside of VFD enclosure).

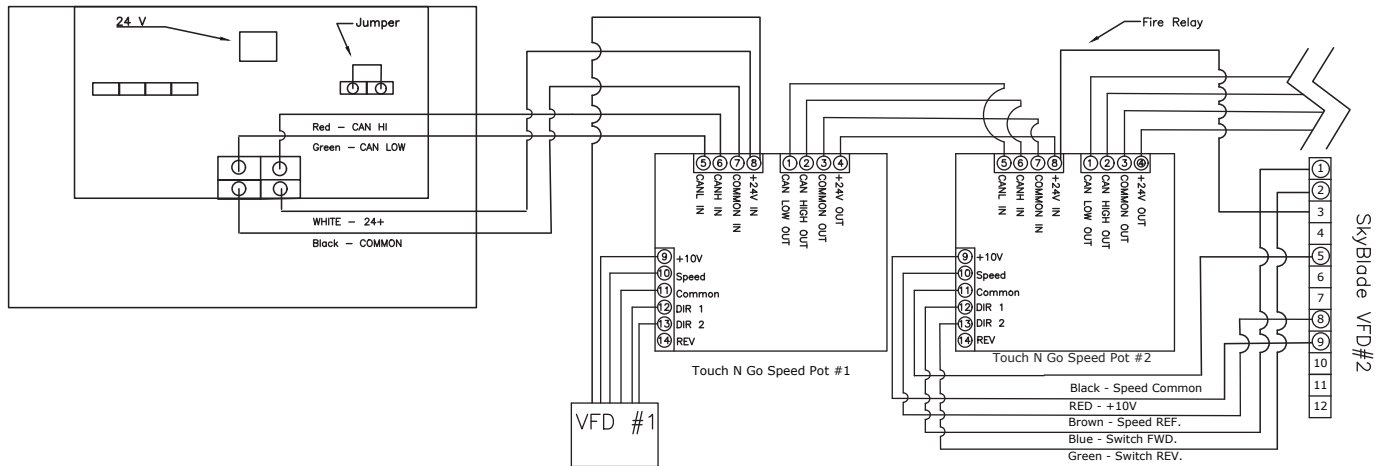
575V/3PH - ABB DRIVE



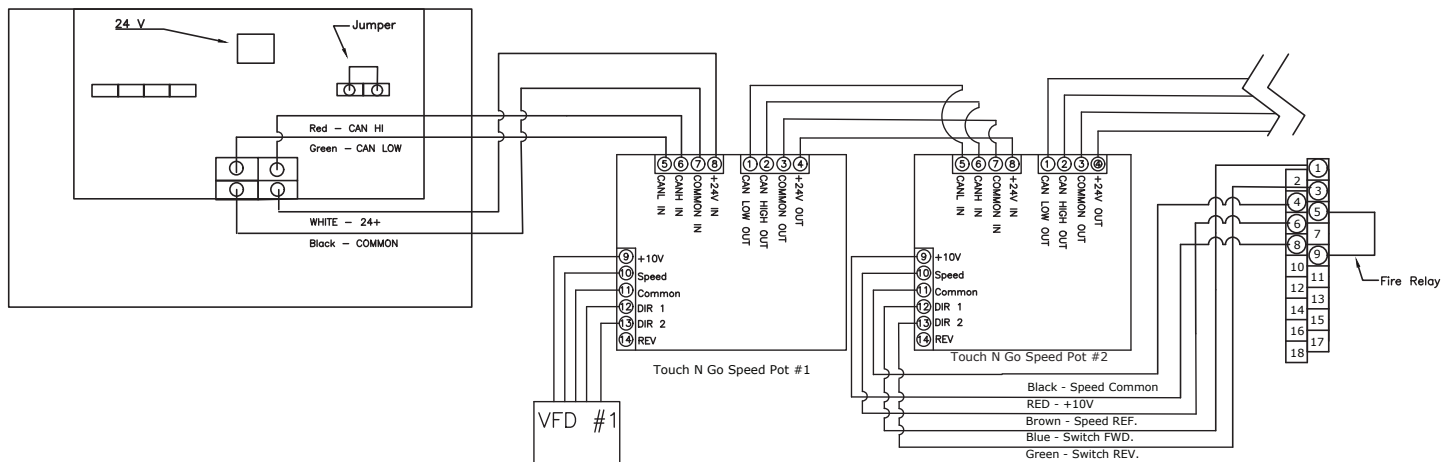
WIRING DIAGRAM - GEARED DRIVE FAN (WEG DRIVE)

NOTE: Pot boards must be installed within 15 feet from the fan (outside of VFD enclosure).

120V/1PH, 230V/1PH & 230V/3PH - WEG DRIVE



460V/3PH - WEG DRIVE



TOUCH 'N' GO PREMIER

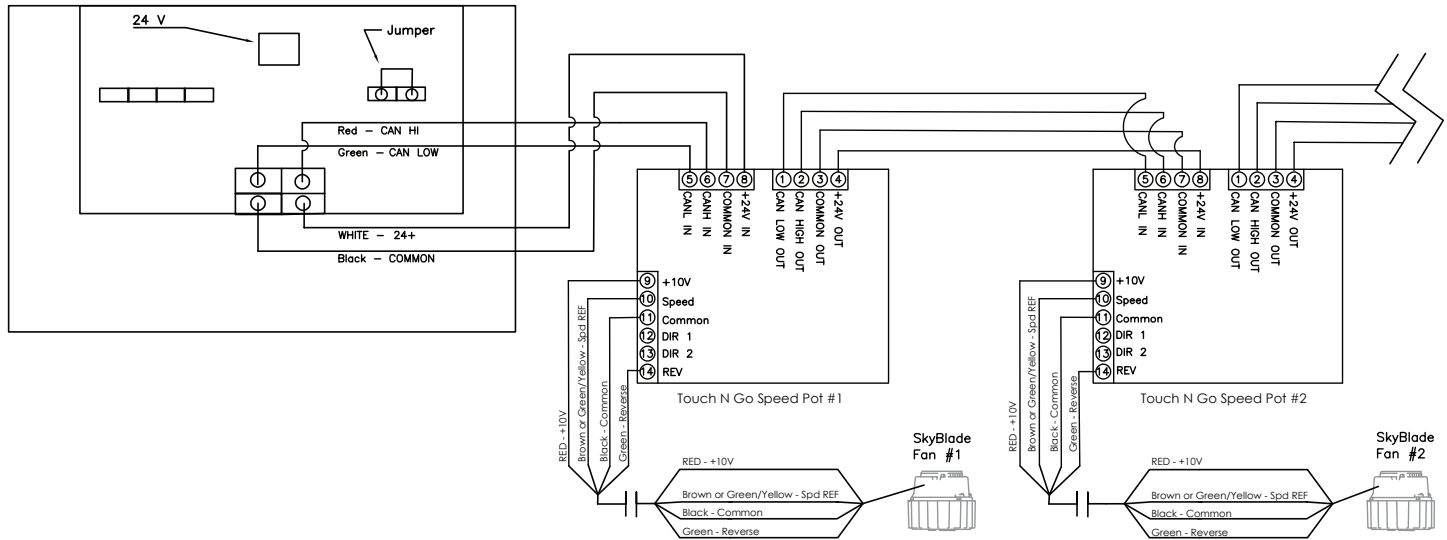
Digital, Multi-Fan Controller

WIRING DIAGRAM - DIRECT DRIVE FAN

120V/1PH, 230V/1PH, 230V/3PH & 460V/3PH

NOTE: Blue and White wire is required to be capped separately down by the pot board.

NOTE: Pot boards must be installed within 15 feet from the fan.



SkyBlade Fan Company | Where Form Follows Function

24501 Hoover Road, Warren, Michigan 48089 USA

+1 (586) 806-5107 | sales@skybladefans.com

www.SkyBladeFans.com

Concurrent with our continuing product improvement program, specifications are subject to change without notice. Please contact SkyBlade Fan Company for latest information. Some features illustrated may be optional in certain market areas.

