

## THERMOSTAT: MODEL NUMBER TS-115/230-1



Tough industrial application thermostat, built for long-term, reliable performance.

- ▲ NEMA 4X enclosure for harsh environments.
- ▲ Large visible dial making set point temperatures clear.
- ▲ Enclosure complies with N.E.C. Article 547 (Agricultural Buildings)
- ▲ UL listed and CSA certified

### TYPICAL APPLICATIONS:

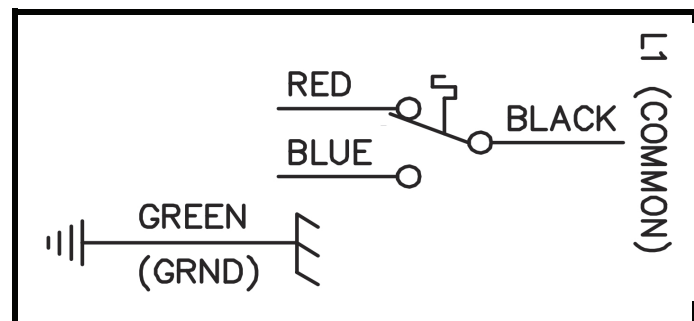
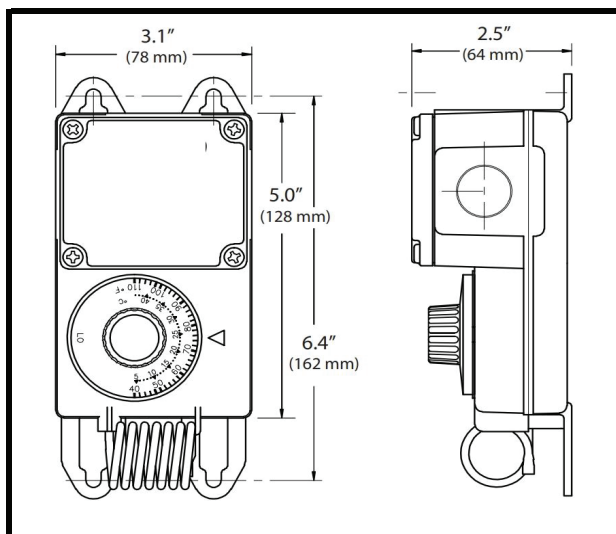
EXHAUST FANS

GENERAL PURPOSE FANS

WHOLE HOUSE FANS

**Voltage Rating:** 120 VAC  
**Full Load Amps:** 18.0 A  
**Locked Rotor Amps:** 80.0 A  
**Non-inductive load:** 25.0 A  
**Pilot Duty:** 125 VA

Temperature Range 40°F to 110°F  
 Temperature Differential Fixed 3°F  
 Switch Action SPDT (Single Pole Double Throw)  
 Bulb Coiled Air - Stainless Steel  
 Dimensions 3.1" W x 6.5" H x 2.5" D



To control fan load, connect fan to blue lead and insulate red lead

- Blue is cooling load
- Red is heating load

## THERMOSTAT WIRING DIAGRAM

