



TP HIGH VELOCITY

Triangle's "TP" Series high velocity direct drive air circulators are easily installed units that offer economical, efficient air cooling for almost any kind of indoor/outdoor location: manufacturing areas, furnace rooms, welding booths, storage and drying rooms, warehouses, spot-cooling of equipment, stockyards, barns, cotton gins, saw mills, shipyards, drilling rigs, live poultry in trucks and hundreds of others. The "TP" fan produces air circulation that will keep an area from becoming stagnant with hot or polluted air.

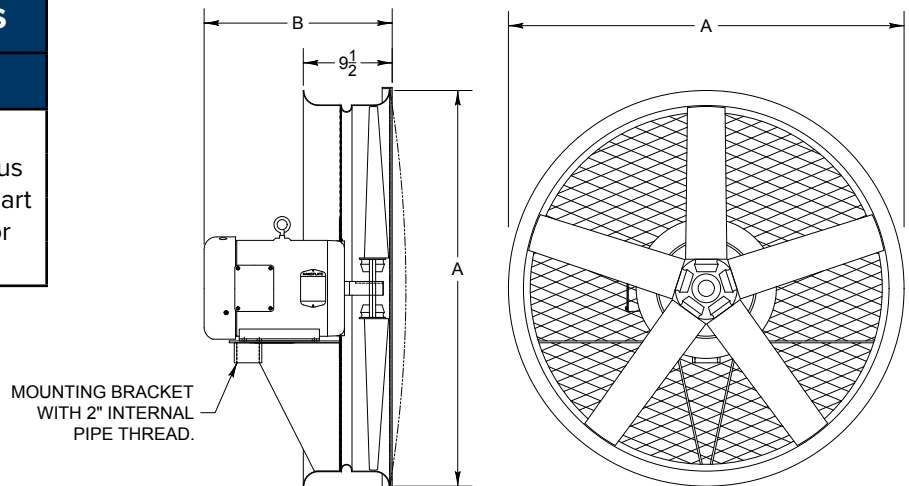
Features

- Standard sizes are 24," 30," 36" and 42"
- High efficiency, non-overloading airfoil cast aluminum blades
- All welded, all steel construction
- Heavy gauge, expanded metal safety guards
- Direct drive
- Totally enclosed motors
- Durable polyester powder coated finish
- OSHA guards available



Diam	HP	CFM	RPM	OSHA GUARD		Standard Guard	
				1 Phase	3 Phase	1 Phase	3 Phase
24"	1/2 HP	5,420	1140	TP2413T-U-OG-1200	TP2413T-X-OG-1200	TP2413T-U-RG-1200	TP2413T-X-RG-1200
	3/4 HP	6,579	1140	TP2414T-U-OG-1200	TP2414T-X-OG-1200	TP2414T-U-RG-1200	TP2414T-X-RG-1200
	1 HP	7,240	1140		TP2415T-X-OG-1200		TP2415T-X-RG-1200
		7,115	1750	TP2415T-U-OG-1800	TP2415T-X-OG-1800	TP2415T-U-RG-1800	TP2415T-X-RG-1800
	1 1/2 HP	8,320	1750	TP2416T-U-OG-1800	TP2416T-X-OG-1800	TP2416T-U-RG-1800	TP2416T-X-RG-1800
30"	1/2 HP	7,518	860		TP3013T-X-OG-900		TP3013T-X-RG-900
	3/4 HP	9,062	860		TP3014T-X-OG-900		TP3014T-X-RG-900
	1 HP	9,966	1140		TP3015T-X-OG-1200		TP3015T-X-RG-1200
	2 HP	12,012	1140		TP3017T-X-OG-1200		TP3017T-X-RG-1200
	3 HP	15,300	1140		TP3018T-X-OG-1200		TP3018T-X-RG-1200
36"	3/4 HP	12,003	860		TP3614T-X-OG-900		TP3614T-X-RG-900
	1 HP	15,046	860		TP3615T-X-OG-900		TP3615T-X-RG-900
	2 HP	16,050	1140		TP3617T-X-OG-1200		TP3617T-X-RG-1200
	3 HP	19,700	1140		TP3618T-X-OG-1200		TP3618T-X-RG-1200
	5 HP	21,370	1140		TP3619T-X-OG-1200		TP3619T-X-RG-1200
42"	2 HP	19,892	860		TP4217T-X-OG-900		TP4217T-X-RG-900
	3 HP	22,870	860		TP4218T-X-OG-900		TP4218T-X-RG-900
		22,745	1140		TP4218T-X-OG-1200		TP4218T-X-RG-1200
	5 HP	28,810	860		TP4219T-X-OG-900		TP4219T-X-RG-900
		28,791	1140		TP4219T-X-OG-1200		TP4219T-X-RG-1200

Dimensions "TP" Series		
Diameter	A	B
24"	28"	9-1/2" Plus outside part of motor
30"	34"	
36"	40"	
42"	46"	



HAZARDOUS LOCATION MODELS

Hazardous location models are made to order and are not returnable. They come equipped with:

- No wiring
- Aluminum blades
- Stationary motor mounts

Motor Ratings

Belt Drive Models: Single Speed, DIV. I, Class I, Group D & Class II, Groups F & G

Direct Drive Models: Consult Factory

CAUTION - WARNING

Although this product is supplied with an explosion proof motor and blades with spark resistant aluminum paddles, it is not intended to convey the suitability of the overall finished product in a hazardous atmosphere, but only that the product has been supplied with certain components for this purpose. Application and wiring must be in accordance with local, state and national codes and performed by a qualified electrician. Fans not appropriate for use where paint residue can accumulate on motor or blade. Hazardous location motors **cannot be run into service factor** so fan performance may be slightly less than published.