



CFM[™]
CONTINENTAL FAN

better AIRFLOW by DESIGN[™]

Industrial Fans & Blowers



IN-LINE FANS

AID AXIAL IN-LINE FANS

FEATURES & BENEFITS

- Spark resistant, cast aluminum airfoil axial impeller
- Factory set adjustable pitch blades
- Superior performance and sound characteristics
- Baked polyester powder coat finish
- GRP [polypropylene] blades available
- Fully reversible airflow option
- Custom mounting arrangements available
- External junction box
- Sizes range from 12" to 27"; capacities to 11,400 cfm

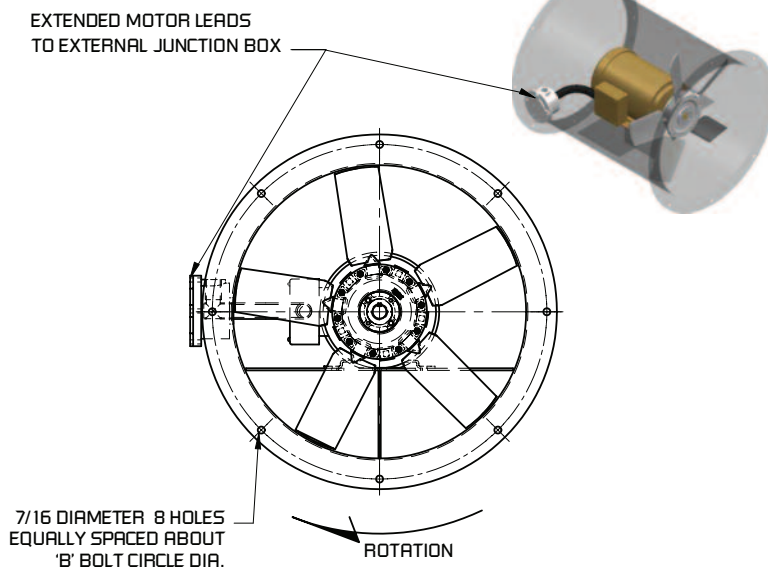
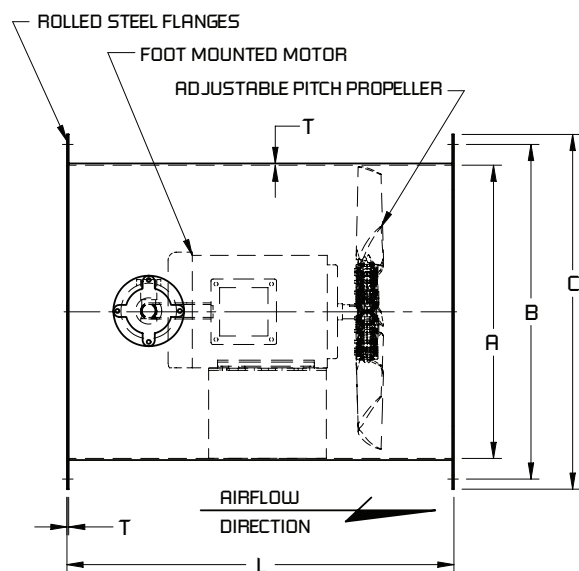


APPLICATIONS

- Process ventilation
- Cabinet cooling
- OEM applications

ACCESSORIES / OPTIONS

- Mounting feet
- Motor side guard
- Explosion proof motors
- Horizontal mounting brackets
- Impeller side guard
- Special duty motors



MODEL	DIMENSIONS IN INCHES*					MAX MTR FRAME
	A	B	C	L	T	
AID120	12.2	13.8	15.0	18.0	0.075	143/5T
AID140	14.2	16.3	17.5	20.0	0.075	143/5T
AID160	16.2	18.0	19.5	21.0	0.075	143/5T
AID180	18.2	20.8	22.0	24.0	0.105	143/5T
AID210	21.2	23.3	24.5	26.0	0.105	182/4T
AID240	24.2	26.3	27.5	29.0	0.105	182/4T
AID270	27.2	29.3	31.0	29.0	0.105	182/4T

MODEL	AIRFLOW PERFORMANCE (CFM)	
	MINIMUM	MAXIMUM
AID120	500	2600
AID140	800	4200
AID160	900	5600
AID180	1600	6800
AID210	1600	7000
AID240	2800	9000
AID270	3400	11400

*DO NOT USE FOR CONSTRUCTION

CONSULT FACTORY FOR CERTIFIED PRINTS

MID MIXED FLOW IN-LINE FANS

FEATURES & BENEFITS

- High capacity mixed flow impellers
- Standard NEMA motors
- Baked polyester powder coat finish
- Custom mounting arrangements available
- External junction box
- Sizes range from 12" to 24"; capacities to 5,340 cfm



APPLICATIONS

- Process ventilation
- Cabinet cooling
- OEM applications

ACCESSORIES / OPTIONS

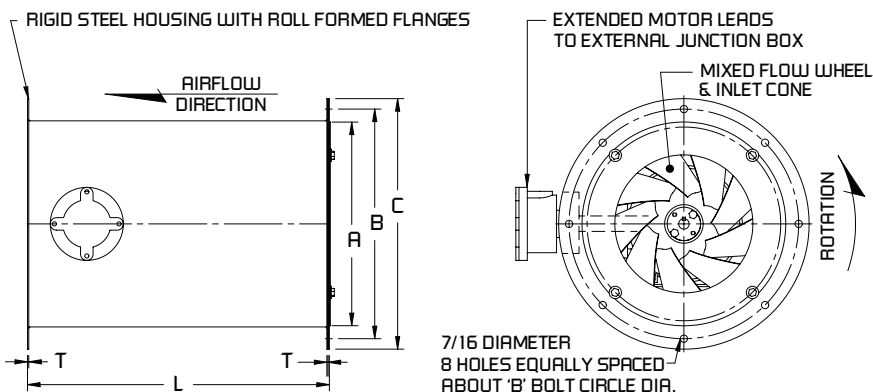
- Mounting feet
- Motor side guard
- Explosion proof motors
- Inspection door
- Impeller side guard
- Special duty motors

MODEL	PEAK HP	MTR HP	dBA @ 5'	AIRFLOW PERFORMANCE (CFM) AT 1740 RPM										
				0" SP	.25" SP	.5" SP	.75" SP	1" SP	1.25" SP	1.5" SP	1.75" SP	2" SP	2.25" SP	2.5" SP
MD315-1	0.20	1/4	61	1190	1050	890	650	360						
MD315-2	0.23	1/4	62	1390	1260	1080	840	540						
MD315-3	0.31	1/3	64	1630	1470	1300	1050	720						
MD315-4	0.39	1/2	65	1830	1680	1490	1250	870						
MD315-5	0.49	1/2	65	2020	1870	1680	1400	924						
MD350-1	0.34	1/2	61	1850	1720	1570	1390	1110	690					
MD350-2	0.43	1/2	62	2180	2050	1890	1690	1410	980					
MD350-3	0.53	1/2	65	2540	2390	2190	2010	1700	1290					
MD350-4	0.67	3/4	66	2930	2770	2580	2350	2050	1500					
MD350-5	0.86	1	66	3280	3110	2900	2620	2230						
MD400-1	0.64	3/4	68	2630	2480	2310	2140	1930	1640	1260	700			
MD400-2	0.82	1	69	3150	3010	2780	2560	2320	2040	1540	960			
MD400-3	1.02	1	70	3590	3410	3220	3020	2740	2440	1990	1170			
MD400-4	1.23	1-1/2	73	4030	3840	3620	3390	3140	2830	2280	1340			
MD400-5	1.45	1-1/2	73	4380	4200	4000	3780	3490	3140	2410				
MD450-1	0.97	1	70	3600	3460	3300	3110	2900	2670	2350	1950	1360	970	
MD450-2	1.27	1-1/2	72	4470	4280	4060	3870	3630	3360	3000	2590	1960	1320	
MD450-3	1.58	1-1/2	73	5340	5130	4900	4640	4360	4060	3650	3170	2440	1670	

MODEL	PEAK HP	MTR HP	dBA @ 5'	AIRFLOW PERFORMANCE (CFM) AT 3450 RPM										
				0" SP	.25" SP	.5" SP	.75" SP	1" SP	1.5" SP	2" SP	2.5" SP	3" SP	4" SP	5" SP
MD250-1	0.46	1/2	72	990	950	900	840	770	570	380	250	150		
MD250-2	0.49	1/2	71	1260	1220	1160	1090	1010	810	570	390	240		
MD250-3	0.52	3/4	71	1460	1410	1360	1300	1220	1000	730	500	300		
MD250-4	0.64	3/4	72	1640	1590	1530	1460	1360	1190	870	580	360		
MD250-5	0.79	1	72	1800	1750	1700	1630	1550	1300	930				
MD315-1	1.94	2	80	2470	2410	2340	2270	2200	2060	1860	1630	1330	790	410
MD315-2	2.21	2	81	2970	2900	2830	2750	2660	2490	2290	2080	1770	1090	570

MODEL	DIMENSIONS IN INCHES*					MAX MTR FRAME
	A	B	C	L	T	
MD250	12.2	13.8	15.0	18.0	0.075	143/5T
MD315	16.2	18.0	19.5	21.0	0.075	143/5T
MD355	18.2	20.8	22.0	24.0	0.105	143/5T
MD400	21.2	23.3	24.5	26.0	0.105	182/4T
MD450	24.2	26.3	27.5	29.0	0.105	182/4T

*DO NOT USE FOR CONSTRUCTION
CONSULT FACTORY FOR CERTIFIED PRINTS



IN-LINE FANS

TID CENTRIFUGAL IN-LINE FANS

FEATURES & BENEFITS

- Backward curved airfoil (BCA) impeller
- Non-overloading power characteristics
- Super quiet, highly efficient performance
- Rugged glass reinforced polyamide impeller
- Baked polyester powder coat finish
- Custom mounting arrangements available
- External junction box
- Standard NEMA motors
- Sizes range from 12" to 24"; capacities to 4,258 cfm



APPLICATIONS

- Process ventilation
- Cabinet cooling
- General ventilation

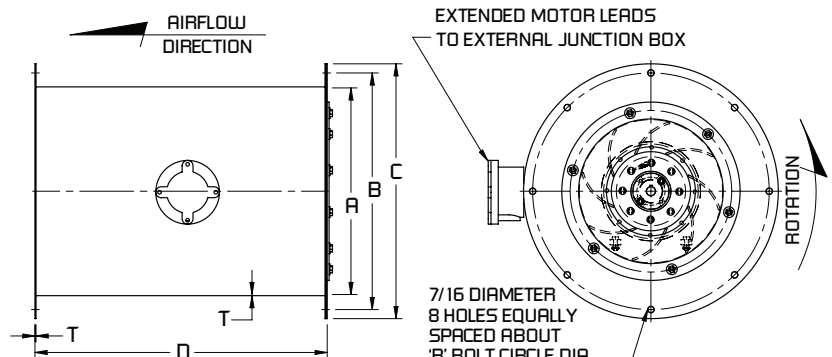
ACCESSORIES / OPTIONS

- Mounting feet
- Motor side guard
- Explosion proof motors
- Impeller side guard
- Inspection door
- Special duty motors

MODEL	PEAK HP	MTR HP	dBA @ 5'	AIRFLOW PERFORMANCE (CFM) AT 1740 RPM											
				0" SP	.25" SP	.50" SP	.75" SP	1" SP	1.25" SP	1.5" SP	1.75" SP	2" SP	2.5" SP	3" SP	
TID280	0.16	1/4	62	1080	990	880	700	450							
TID315	0.34	1/2	67	1570	1460	1350	1210	1020	790	490					
TID355	0.65	3/4	72	2160	2050	1940	1820	1670	1480	1240	940				
TID400	1.23	1-1/2	73	2850	2750	2640	2530	2410	2270	2090	1840	1610	410		
TID450	1.82	2	74	4220	4070	3920	3760	3590	3400	3190	2900	2660	1900	590	

MODEL	PEAK HP	MTR HP	dBA @ 5'	AIRFLOW PERFORMANCE (CFM) AT 3450 RPM											
				0" SP	.5" SP	1" SP	1.5" SP	2" SP	2.5" SP	3" SP	3.5" SP	4" SP	5" SP	6" SP	
TID200	0.24	1/3	68	810	740	650	520	380							
TID225	0.44	1/2	73	1020	960	900	810	690	520	140					
TID250	0.66	3/4	75	1530	1450	1360	1260	1120	960	790	510				
TID280	1.41	1-1/2	77	2140	2060	1980	1870	1750	1590	1390	1140	850			
TID315	2.58	3	82	3130	3020	2910	2790	2660	2520	2360	2160	1990	1490	500	
TID355	4.98	5	86	4258	4146	4037	3928	3814	3692	3560	3412	3248	2857	2342	

MODEL	DIMENSIONS IN INCHES*					MAX MTR FRAME
	A	B	C	D	T	
TID200	12.2	13.8	15.0	18	0.075	143/5T
TID225	14.2	16.3	17.5	20	0.075	143/5T
TID250	14.2	16.3	17.5	20	0.075	143/5T
TID280	16.2	18.0	19.5	21	0.075	143/5T
TID315	18.2	20.8	22.0	24	0.105	143/5T
TID355	21.2	23.3	24.5	26	0.105	182/4T
TID400	24.2	26.3	27.5	29	0.105	182/4T
TID450	24.2	26.3	27.5	29	0.105	182/4T



*DO NOT USE FOR CONSTRUCTION
CONSULT FACTORY FOR CERTIFIED PRINTS

AXC IN-LINE DUCT FANS

FEATURES & BENEFITS

- Heavy gauge, drawn steel housing with baked epoxy finish
- 120V operation, other voltages available
- Easy to install - mounting brackets included
- May be mounted in any position
- Fans may be used to supply or exhaust air
- Suitable for air temperatures up to 140 F / 60 C
- Energy efficient - speed controllable (optional solid state speed control)
- Optional pre-wired with 120V power cord (AXC-C)
- Exceptionally quiet and efficient BC centrifugal motorized impeller
- External rotor motor design results in superior motor cooling and durability
- Permanently lubricated ball bearing motor for maintenance-free operation
- Automatic reset thermal overload protection
- Fan and motor are precision balanced for quiet and vibration-free operation
- Easily accessible, external junction box with pre-wired capacitor
- Available to fit duct sizes 4" - 14"; airflow capacities to 1,400 cfm



APPLICATIONS

- Conference room exhaust
- Computer rooms
- Humidity and moisture removal
- Powered make-up air
- Equipment and spot cooling
- Hair and nail salons

ACCESSORIES / OPTIONS

- Speed controls
- Pressure switches
- Backdraft dampers
- Supply & exhaust grilles
- Mounting clamps
- Roof & wall caps

MODEL	WATTS	RPM	AIRFLOW PERFORMANCE (CFM)												
			0" SP	0.2" SP	0.4" SP	0.6" SP	0.8" SP	1.0" SP	1.2" SP	1.5" SP	2.0" SP	3.0" SP			
AXC100A-ES	43.3	2580	147	130	107	82	57	34	11						
AXC100B	83.4	2620	150	140	127	112	94	74	53	23					
AXC125A-ES	44.4	2520	179	150	121	87	49	14							
AXC125B	85.4	2750	183	160	141	122	101	77	51	14					
AXC150A-ES	46.8	2390	235	190	148	97	44								
AXC150B-ES	89.2	2450	308	260	216	175	139	108	81	47					
AXC200A-ES	84.5	2500	368	300	234	184	149	114	70						
AXC200B-ES	188	2550	579	520	453	387	329	282	245	206	154				
AXC250-ES	197	2470	616	550	488	431	379	330	286	227	143				
AXC300A-ES	206	2450	780	700	595	420	330	290	255	210	132				
AXC300B-ES	312	2780	970	910	803	680	559	453	367	273	164				
AXC355A	334	1360	1325	1150	960	790	660	550	430	238					
AXC355B	830	2900	1400	1370	1325	1250	1210	1135	1090	1000	880	675			

FOR PRE-WIRED WITH 120V POWER CORD, ADD -C TO MODEL.

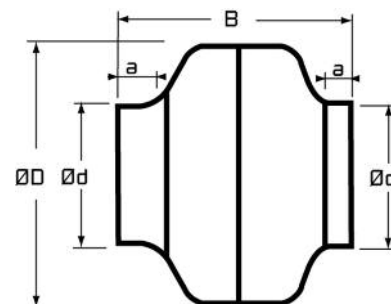
MODEL	DIMENSIONS IN INCHES*				SHIP WT (LBS)
	D	d	a	B	
AXC100A-ES	9.5	3.9	1.0	8.3	7.5
AXC100B	9.5	3.9	1.0	8.3	8.0
AXC125A-ES	9.5	4.8	1.0	8.3	7.5
AXC125B	9.5	4.8	1.0	8.3	7.5
AXC150A-ES	9.5	5.8	1.0	8.3	7.5
AXC150B-ES	13.2	5.8	1.0	9.1	12.5
AXC200A-ES	13.2	7.8	1.0	9.1	12.0
AXC200B-ES	13.2	7.8	1.0	9.1	15.0
AXC250-ES	13.2	9.8	1.0	9.1	15.0
AXC300A-ES	15.9	11.8	1.2	11.8	18.0
AXC300B-ES	15.9	11.8	1.2	11.8	18.0
AXC355A	19.0	14.0	1.5	15.7	35.5
AXC355B	19.0	14.0	1.5	15.7	41.0

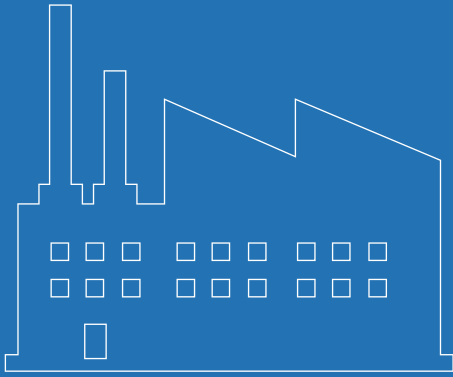
*DO NOT USE FOR CONSTRUCTION
CONSULT FACTORY FOR CERTIFIED PRINTS



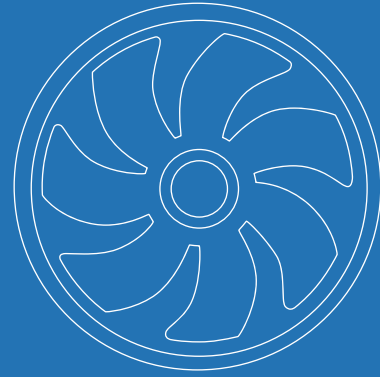
AXC models 100A through 300B are cULus listed
AXC models 355A and 355B are CSA listed to both US and Canadian standards

Products are HVI certified for airflow and power at 0.2" SP. HVI currently does not have a standard in place for testing the sound of a remote mounted fan. Many factors, such as ducting and fan location, can contribute to sound levels. Generally, a remote mounted fan should be quieter than a typical ceiling mounted fan.





***Industrial Fans
& Blowers***



***OEM Solutions
& Custom Fans***



***Commercial Fans
& Dampers***



***Residential Fans &
Air Purifiers***



Industrial Fans & Blowers

Continental Fan Manufacturing Inc.
203 Eggert Road
Buffalo, New York 14215

Continental Fan Canada Inc.
12-205 Matheson Blvd. E
Mississauga, Ontario L4Z 3E3

Continental Fan Manufacturing Inc.
6274 Executive Blvd.
Dayton, Ohio 45424

1-800-779-4021 • www.continentalfan.com

Distributed by:

INDUSTRIAL-CAT-1709