

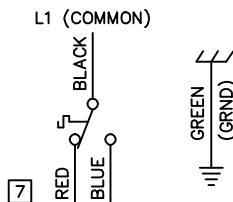
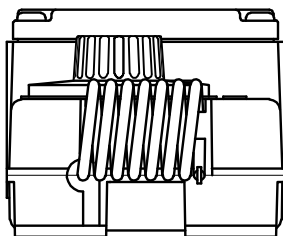
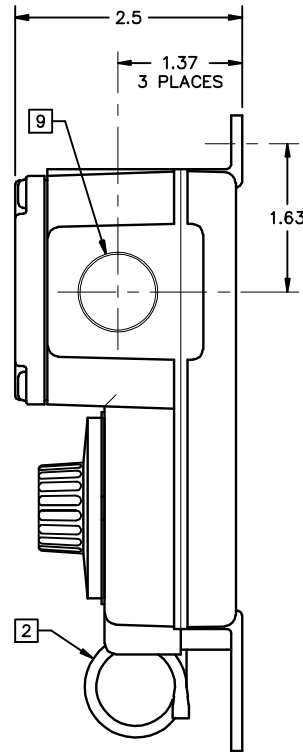
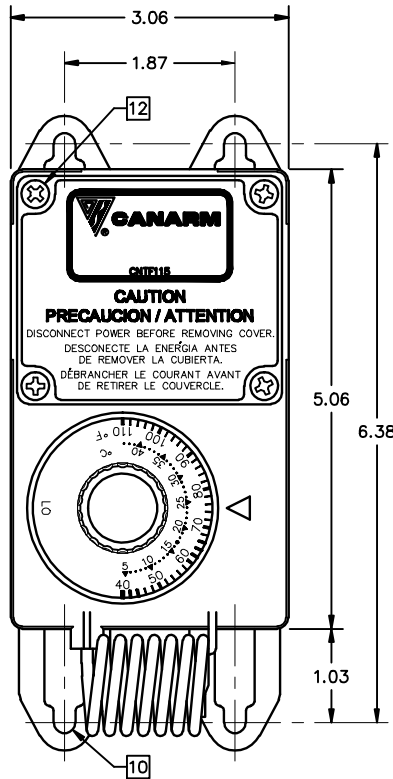
NOTES:

1. SPDT THERMOSTAT IS HOUSED WITHIN RAIN-TIGHT LIGHT GRAY PLASTIC TYPE 4X ENCLOSURE. BLACK KNOB HAS WHITE MARKINGS.

2. COILED TEMPERATURE SENSING BULB IS TYPE 300 SERIES STAINLESS STEEL.

3. ADJUSTABLE TEMPERATURE RANGE IS 40 F TO 110 F (4.4 C TO 43.3 C). ONE DIAL DIVISION EQUALS 2 F (1.1 C).

4. U.L. LISTED FILE E50023. C.S.A. CERTIFIED FILE NO. LR30247.



HEATING OR COOLING EQUIPMENT, SPDT, OPENS ONE CIRCUIT (RED/BLACK, REF. HEATING), CLOSES ONE CIRCUIT (BLUE/BLACK, REF. COOLING) ON TEMPERATURE RISE.

DATE	REV	DESCRIPTION	DR.	CK.
12/12/07	6	ECN 7694 ADD NOTES 13, 14	SEM	SR

5. MAXIMUM AMBIENT TEMPERATURE FOR ASSEMBLY IS 140 F (60 C).

6. ELECTRICAL RATING:

VAC	INDUCTIVE		RESISTIVE AMPS	PILOT DUTY
	FLA	LRA		
120	16.0	80.0	25	125 VA
208	13.2	66.0	25	125 VA
240	12.0	60.0	25	125 VA
277	10.0	50.0	22	125 VA
480	---	---	5	125 VA

SUITABLE FOR 24 VAC OPERATION

7. FOR TYPICAL CIRCUIT, WHERE BOTH HEATING AND COOLING LOADS ARE CONNECTED TO THE THERMOSTAT, A MANUAL OR AUTOMATIC SELECTOR SWITCH IS REQUIRED FOR ISOLATION OF LOADS.

8. LOAD LEADS ARE #14 AWG 600 V 105 C STRANDED COPPER WIRE. FREE LEAD LENGTH IS 6" MINIMUM WITH WIRE ENDS STRIPPED TO 0.62".

9. KNOCKOUT ALSO IN FAR SIDE OF WIRING COMPARTMENT. 1/2" TRADE SIZE KNOCKOUTS AT 3 LOCATIONS PROVIDE FOR U.L. LISTED RAIN-TIGHT CORD SEALS OR CONDUIT HUBS.

10. ENCLOSURE MOUNTS TO WALL OR PANEL SURFACE WITH #8 OR WITH #10 SCREWS.

11. MARKING TO INCLUDE:

TF115-011
E50023
LR30247

DC (DC REPRESENTS A DATE CODE.)

12. UNIT IS INDIVIDUALLY BOXED WITH INSTRUCTION SHEET. COVER, GASKET, AND SCREWS (SHOWN IN THE ASSEMBLED POSITION) ARE PACKED WITH UNIT, 20 UNITS PER MASTER CARTON.

13. THIS ASSEMBLY AND ALL COMPONENTS AND SUBASSEMBLIES CONTAINED WITHIN THIS ASSEMBLY MUST MEET ENVIRONMENTAL IMPACT REQUIREMENTS SPECIFIED IN TI-698.

14. NOTES MARKED WITH ● CONTAIN SPECIFICATIONS THAT MUST BE CERTIFIED BY THE VENDOR WITH EACH SHIPMENT.

TOLERANCES EXCEPT AS NOTED	PECO, INC. PORTLAND, OR. USA	
DECIMAL .X= .XX= .XXX=	PART NUMBER 65643	SCALE HALF
ANGULAR ±	TITLE STAT ASSY, TF115-011	
ACAD FILE TF115011	SHEET SIZE A	DRAWING NUMBER TF115-011