

Multifan System 1 Installation Instructions

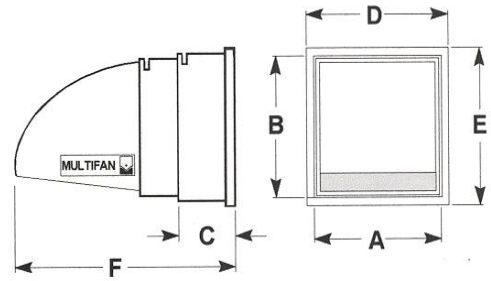
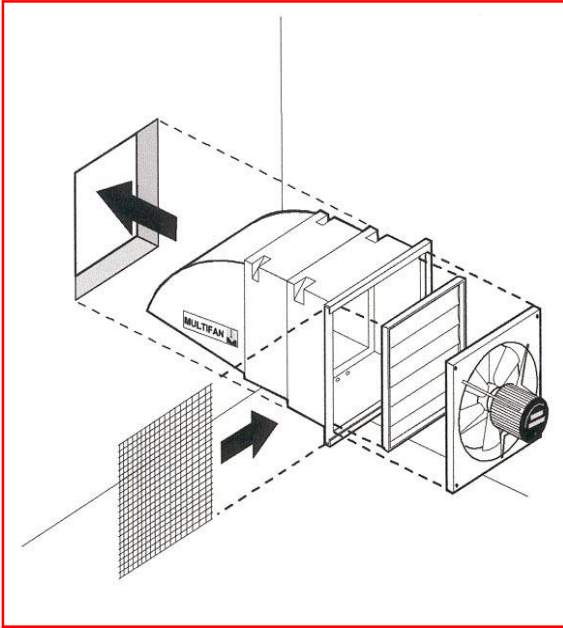
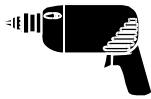


Table 1

Measurements in Inches

	A	B	C	D	E	F	Rough Opening Square
10"/12"Q	18	18	9 1/4	21 7/16	21 3/8	31	19 1/4
16"Q	21 5/8	21 7/8	8 7/8	25 1/8	25 1/4	34 5/8	23 1/4
18"Q	23 3/4	24	8 7/8	27 1/8	27 1/2	36 1/2	25 1/4
20"Q	25 3/4	25 3/4	8 7/8	29 1/2	29 1/2	36 3/8	27 1/4
24"Q	30 7/8	30 7/8	10 3/4	34 1/4	34 1/8	47 1/2	31 3/4

Tools Required:



Screw Gun/Drill



Skill Saw

Shipping and Packaging

10" and 12" Q style System 1's can be shipped United Parcel Service with no restrictions

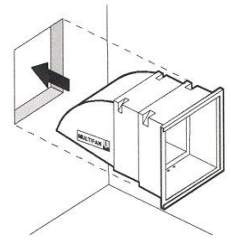
16"-24"Q style System1's must be shipped Freight, because of width and girth restrictions.

All System 1's can be shipped assembled or in pieces

Note: Winter seal can replace wireguard during extended non-use periods. It comes with a left side opening. If obstructions enable this side unusable, cut the opposite side to enable the foam to slide in.

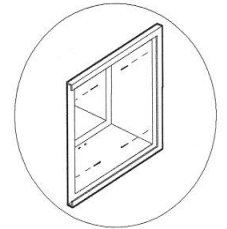
1.

Cut rough opening in sidewall and insert hood. Rough opening must be square. (See table 1 above for hood dimensions and rough opening sizes).



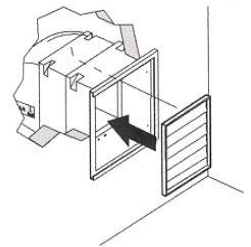
2.

Screw to framework inside the housing on all four corners using screw gun and (4) 1/2" wood screws. Drill top and bottom screws 1" from the top and bottom on the side of the housing.



3.

Insert shutter. Corners of shutter rest in slot past the first corner tab as shown in diagram at right. Insert a plastic nail in the pre-drilled hole to secure the shutter in the housing.



4.

Insert top corners of fan. Corners should rest in slot past the second corner tab as shown in diagram at right. Slide wire guard into place before using. When fan is not in use, a winter shut-off slide is available.

