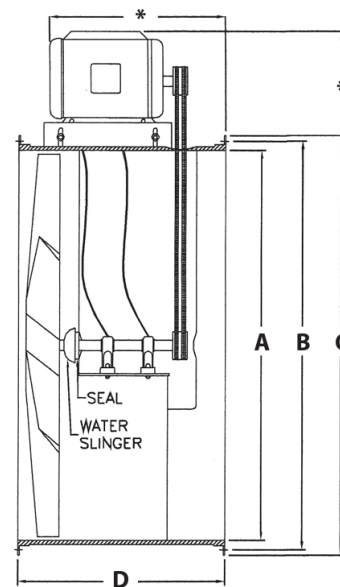
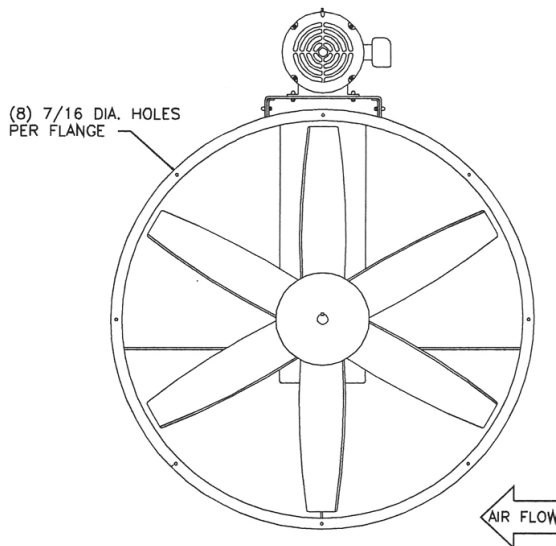


Designed for use in high moisture or contaminated air streams in maximum temperatures of 225° Fahrenheit. Ideally suited for use on industrial parts washers for excess water vapor removal.

### FEATURES

- Bearings located in sealed, watertight chamber and protected by a water slinger and shaft seal
- Standard propellers are cast aluminum; carbon steel and stainless steel available
- High temperature package (375° F) available
- Adjustable motor base
- Pulleys are rugged cast iron or turned steel
- Motors are totally enclosed



\* Dimensions vary with motor

### DIMENSIONS

Model	A	B	C	D
NBC12	12"	13-1/8"	14"	18"
NBC15	15"	16-1/8"	17"	18"
NBC18	18"	19-1/8"	20"	18"
NBC24	24"	25-3/4"	27"	18"
NBC27	27"	28-3/4"	30"	18"
NBC30	30"	31-3/4"	33"	18"
NBC34	34"	35-3/4"	37"	18"
NBC36	36"	37-7/8"	39"	18"
NBC42	42"	43-9/16"	45"	22"
NBC48	48"	49-5/8"	51"	24"
NBC60	60"	61-5/8"	63"	30"

### OPTIONAL ACCESSORIES

- Belt guard
- Combination motor cover/belt guard
- Companion flanges
- Horizontal support legs
- Horizontal or vertical support brackets
- Inlet or outlet guards - OSHA compliant
- Inspection door
- Epoxy or urethane coatings
- Adjustable pitch motor pulley
- Continuously welded flanges

### PERFORMANCE DATA

Blade Diameter	Model	Horse Power	RPM	Free Air	1/8" SP	1/4" SP	3/8" SP	1/2" SP	3/4" SP	1" SP	1-1/4" SP	1-1/2" SP
12"	NBC12-C	1/2	3450	1875	1650	1400	1320	1250	1100	660	-	-
	NBC12-D	3/4	3450	2044	1960	1920	1820	1650	1500	1100	-	-
15"	NBC15-D	3/4	2200	3900	3700	3400	3100	2700	1150	-	-	-
	NBC15-E	1	2400	4250	4000	3700	3375	2950	1250	-	-	-
18"	NBC18-C	1/2	1890	6850	3500	3100	2500	2000	-	-	-	-
	NBC18-E	1	1725	4600	4375	4080	3600	3000	2100	1550	-	-
	NBC18-F	1-1/2	1990	5350	5060	4830	4550	3950	3000	2500	-	-
24"	NBC24-C	1/2	1298	5643	5320	4826	4440	3500	-	-	-	-
	NBC24-D	3/4	1600	6906	6510	5900	5440	4650	2750	-	-	-
	NBC24-E	1	1725	7425	7000	6350	5850	5000	3300	1775	-	-
	NBC24-E	1	1357	7450	7100	6650	5950	5200	3000	-	-	-
	NBC24-F	1-1/2	1540	8200	7900	7650	7280	6850	5500	-	-	-
	NBC24-G	2	1680	9600	9250	8940	8655	8250	7300	4800	-	-
	NBC24-G	2	1600	9760	9114	8830	8460	8090	7000	4400	-	-
	NBC24-H	3	1725	10500	9800	9500	9100	8700	7800	5000	3600	2000
27"	NBC24-I	5	1920	11400	10600	10350	9900	9475	8500	7200	6000	5000
	NBC27-D	3/4	1250	8330	7814	7550	7070	6500	4650	-	-	-
	NBC27-E	1	1400	9400	8675	8480	7950	7300	5200	-	-	-
	NBC27-F	1-1/2	1600	10700	10250	9700	9080	8375	6000	2500	-	-
	NBC27-G	2	1350	11500	11200	10700	10000	9300	8375	6000	2500	-
30"	NBC27-H	3	1600	13480	12900	12222	11440	10552	8200	6200	4000	-
	NBC30-F	1-1/2	1035	11100	10600	9700	8600	7500	3500	-	-	-
	NBC30-G	2	1176	12100	11660	11000	10121	9322	6700	-	-	-
	NBC30-H	3	1350	13480	12982	12498	12042	11465	10380	9470	7500	-
34"	NBC30-I	5	1650	16440	15832	15242	14686	13982	12659	11550	9200	-
	NBC34-G	2	1027	14657	13652	12590	11500	10000	8000	-	-	-
	NBC34-H	3	1175	17580	16750	15896	14600	14095	12000	9500	-	-
36"	NBC34-I	5	1416	20500	19800	19000	18325	17500	16000	14200	12250	-
	NBC36-H	3	930	17500	16800	15900	14740	14100	12200	-	-	-
	NBC36-I	5	1100	20600	19950	19200	18500	17800	16020	14300	-	-
42"	NBC36-J	7-1/2	1250	22500	21900	21200	20750	20050	19008	17000	15200	-
	NBC42-G	2	820	20700	18900	17002	14700	11400	4000	-	-	-
	NBC42-H	3	890	23700	22100	20200	18960	16970	9950	3600	-	-
	NBC42-I	5	850	26900	25600	24403	23450	22250	18400	13900	-	-
	NBC42-J	7-1/2	960	30800	29600	28500	27400	26200	23500	20500	16500	-
48"	NBC42-K	10	1075	33300	32500	31500	30300	29500	27400	25100	22000	18000
	NBC48-I	5	800	33000	31000	29400	27500	25670	20700	-	-	-
	NBC48-J	7-1/2	900	37500	35900	34500	32800	31200	27700	23000	-	-
60"	NBC48-K	10	1000	41200	39700	38300	36900	35400	32400	29000	24400	-
	NBC60-I	5	690	45000	40800	36000	32150	26000	-	-	-	-
	NBC60-J	7-1/2	690	51000	49500	47250	43500	39375	30750	21375	16875	12000
	NBC60-K	10	783	54000	51900	49000	46300	43200	36000	27000	-	-

### MODEL NUMBER SCHEMATIC

