



# MODEL SQB

## BELT DRIVE SQUARE INLINE CENTRIFUGAL DUCT FAN



### MODEL FEATURES

- Exhaust air up to 24,000 CFM in high static pressure applications up to 3-1/2" w.g.
- Belt drives permit easy performance adjustments when needed
- Ideal for applications where space is limited
- Non-overloading backward inclined wheel for efficiency at higher static pressures
- AMCA Air and Sound Licensed
- cULus 705 Listed

### APPLICATION CONSTRUCTION OPTIONS

MODEL NAME	TYPICAL APPLICATIONS
SQB	Removal of clean air in general applications
SQBHP	High Pressure version of SQB

### MODEL OVERVIEW

Model SQB fans are available in sizes 7 through 42, moving from 100 to over 24,000 CFM, with high static pressure capabilities to 3-1/2". SQB units are the perfect selection for clean air applications where space is a leading consideration. The compact housing, with removable access doors (2), can be mounted in any orientation.

### CONSTRUCTION FEATURES AND OPTIONS

Motor mounting plate with integral belt tensioning device.

Heavy-gauge galvanized steel housing (aluminum optional).

Deep spun venturi inlet.

Aluminum non-overloading backward inclined wheel.

Corrosion resistant fasteners.

**Factory Run & Tested**  
Assures dependable operation

**AMCA Seal**  
Assures rating of Sound and Air performance

Open drip-proof motor (many options available).

Adjustable motor sheave.

Cast iron pillow block air handling bearings.

Removable access panels (2) with neoprene gaskets.

Integral inlet and outlet duct flanges.

Removable drive and bearing covers.

**UL Label**  
For electrical reliability

Model SQB is available in our Quickship program. Sizes 7-24 are available for next day or 3-day shipping from stock.

**2 year fan housing warranty, 1 year motor warranty**



## **CONSTRUCTION/SPECIFICATION CHECKLIST**

### **Blower/Housing**

- Aluminum, non-overloading, backward inclined centrifugal wheel statically and dynamically balanced.
- Deep spun venturi inlet.
- Heavy-gauge galvanized steel housing.
- Integral inlet and outlet duct collars.
- Universal mounting - horizontal, vertical, or any angle.
- Motors and drives out of the airstream.
- Removable drive and bearing covers for easy access.
- Easy access to interior of unit with removable side panels (two per unit) with closed cell neoprene gasketing.
- Motor, drives, wheel, shaft, and bearings removable from unit without disconnecting duct.
- Motor mount plate with integral belt tensioning device.

### **Shaft and Bearings**

- Precision turned, ground, and polished steel fan shaft and keyed.
- Self aligning cast iron air handling pillow block bearings with re-lube fitting, double sealed and pre-lubricated, designed for 200,000 hour life, L50.

### **Motor and Drives**

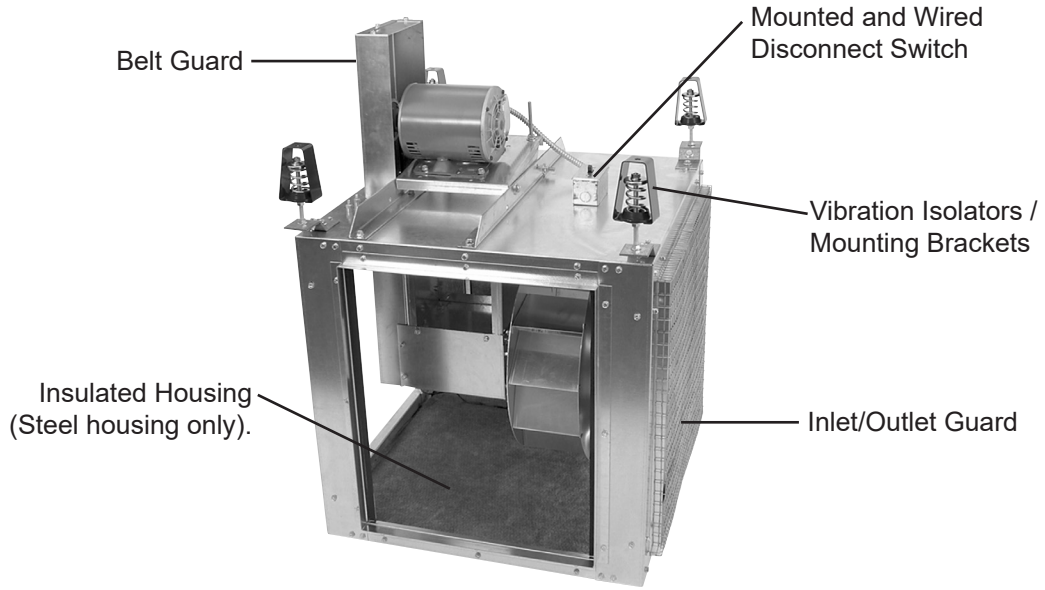
- Permanently sealed ball bearing type motor furnished to the specified voltage, phase, and enclosure.
- Open drip-proof is standard. Two speed, totally enclosed, and explosion proof motors can be specified for most models.
- Drives are specified for a minimum of 150% of driven horsepower. Cast iron motor pulleys are factory set to the required RPM and are adjustable for final system balancing.
- Disconnect switch standard on single speed drip-proof and totally enclosed motors.

### **Certifications**

- AMCA - the AMCA Seal on all units assures certified rating of air and sound performance.
- cULus - most models are available as listed by Underwriters Laboratories under Standard 705 when specified.



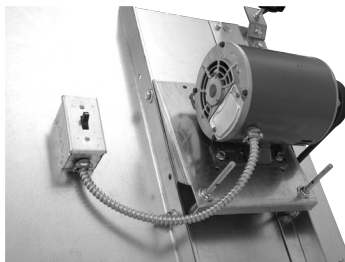
**OPTIONS/ACCESSORIES**



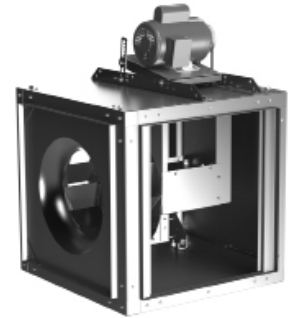
**External Grease Fittings**



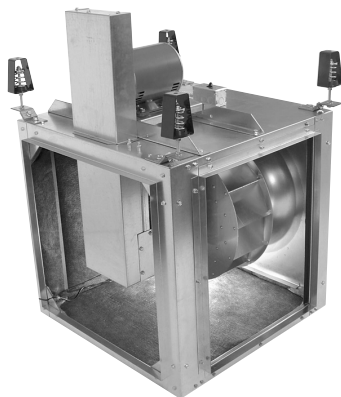
**Mounted and Wired Disconnect**



**Side Discharge**



**Belt Guard**



**Motor Cover**



**Inlet/Outlet Guard**





**Hanging Bracket/  
Mounting Foot with  
Hanging Spring Isolator**



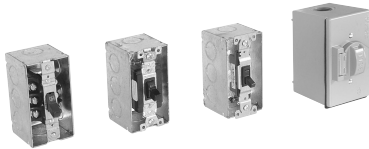
**Hanging Spring Isolators**



**Hanging Rubber in  
Shear Isolators**



**Assorted Disconnects**



**Heavy-duty Disconnect**



**Backdraft Damper**

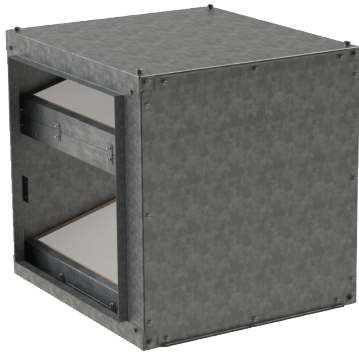


**Insulated Housing**



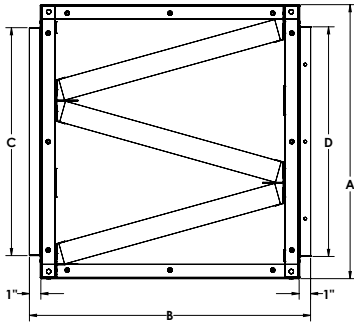


# FILTER BOX OPTIONS



## Features

- Designed for use with SQB Fans
- Designed to handle 1" or 2" filters
- Galvanized or aluminum construction up to size 24
- Galvanized construction sizes 30-42
- Standard filter is washable aluminum
- MERV 7 (1") or MERV 8 (2") disposable pleated filters available by special quote
- Removable side panels for easy access to filters



## Dimensions - Filter Box with 1" Aluminum Filters

Fan Size	Filter Box Dimensions				Avg. Ship Wgt. (lbs)		No. of Filters	1" Filter Nominal Size
	A	B	C	D	Galv.	Alum.		
07-08	25	25	11-7/8	12	28	15	2	15x20x1
10	18	24-1/2	13-7/8	14	35	17	2	16x20x1
12	22	29-1/8	17-7/8	18	48	24	2	20x25x1
15	24	24-5/8	21-7/8	22	47	23	3	20x25x1
18	28	24-5/8	23-7/8	24	62	31	4	20x25x1
20	32	29-1/8	27-7/8	28	72	36	6	16x25x1
24	39	29-1/8	34-7/8	35	96	47	6	20x25x1
30	44	30-3/8	39-7/8	40	131	-	8	20x25x1
36	52	27-1/8	47-7/8	48	149	-	10	20x25x1
42	58	32-1/8	53-7/8	54	180	-	15	20x25x1

## Dimensions - Filter Box with 2" Aluminum Filters

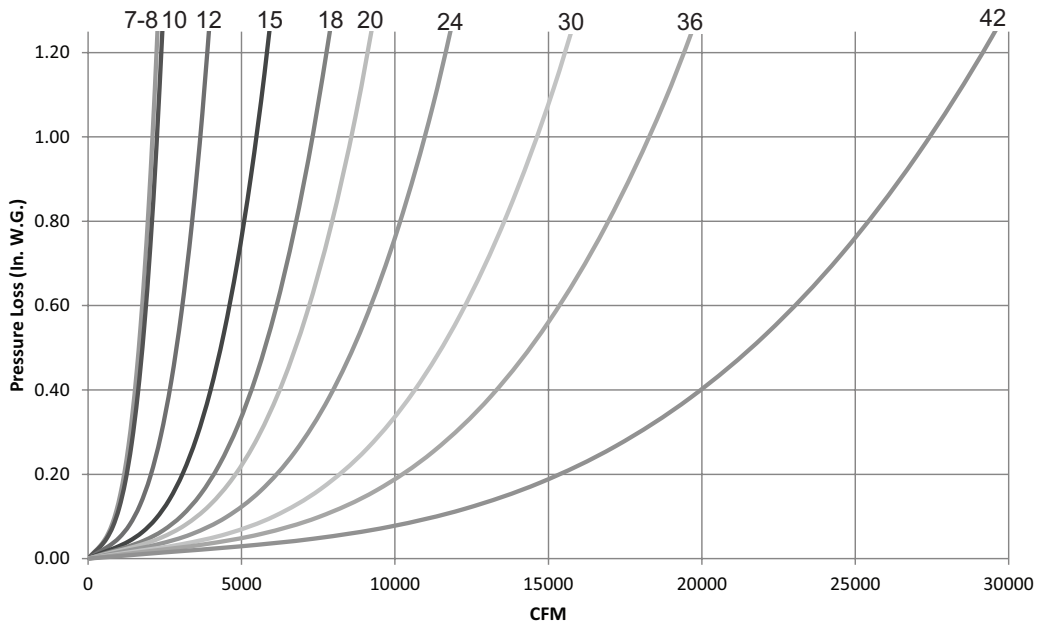
Fan Size	Filter Box Dimensions				Avg. Ship Wgt. (lbs)		No. of Filters	2" Filter Nominal Size
	A	B	C	D	Galv.	Alum.		
07-08	25	25	11-7/8	12	29	16	2	15x20x2
10	18	24-1/2	13-7/8	14	37	19	2	16x20x2
12	22	29-1/8	17-7/8	18	50	26	2	20x25x2
15	24	24-5/8	21-7/8	22	49	25	3	20x25x2
18	28	24-5/8	23-7/8	24	65	34	4	20x25x2
20	32	29-1/8	27-7/8	28	75	39	6	16x25x2
24	39	29-1/8	34-7/8	35	100	51	6	20x25x2
30	44	30-3/8	39-7/8	40	135	-	8	20x25x2
36	52	27-1/8	47-7/8	48	154	-	10	20x25x2
42	58	32-1/8	53-7/8	54	185	-	15	20x25x2



### FILTER BOX OPTIONS Cont.

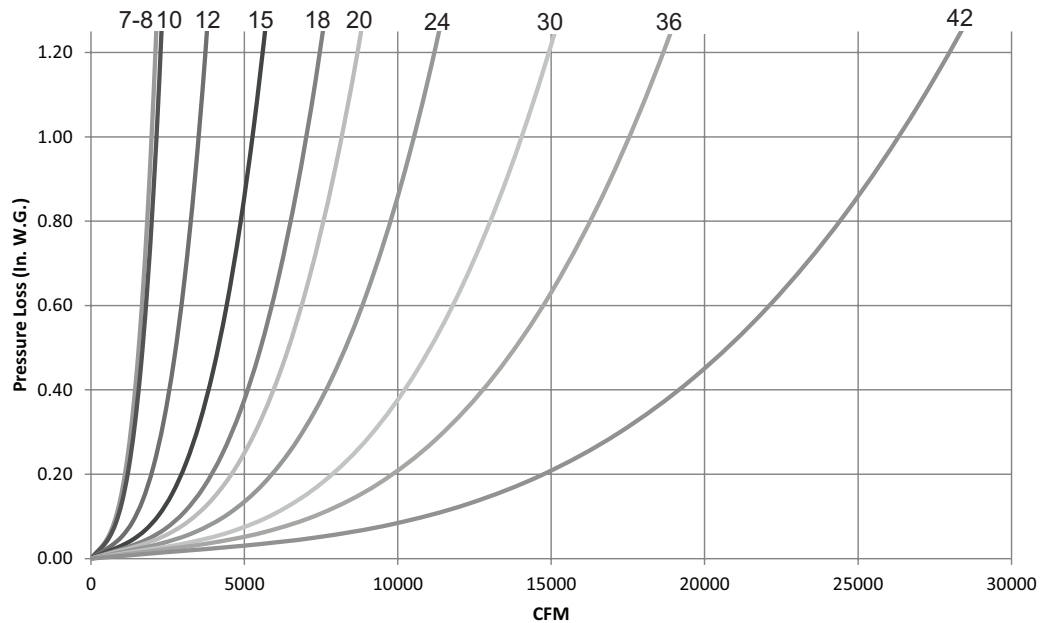
### PRESSURE LOSS GUIDE FOR 1" FILTER BOX

Use the estimated pressure drop graphs to help select the proper fan that will deliver the desired airflow. Enter the graph from the bottom at the specified CFM and move vertically upward to the fan curve for the desired size, then horizontally to the left and read the estimated static pressure drop resulting from these typical accessory packages. Add the accessory pressure loss to the system (or building) design static pressure loss to obtain the total static pressure loss to be used for the proper fan selection.



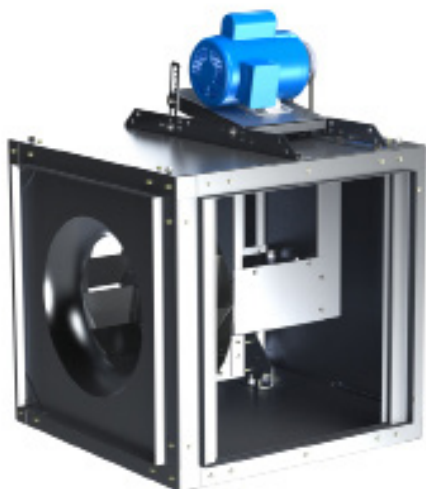
### PRESSURE LOSS GUIDE FOR 2" FILTER BOX

Use the estimated pressure drop graphs to help select the proper fan that will deliver the desired airflow. Enter the graph from the bottom at the specified CFM and move vertically upward to the fan curve for the desired size, then horizontally to the left and read the estimated static pressure drop resulting from these typical accessory packages. Add the accessory pressure loss to the system (or building) design static pressure loss to obtain the total static pressure loss to be used for the proper fan selection.



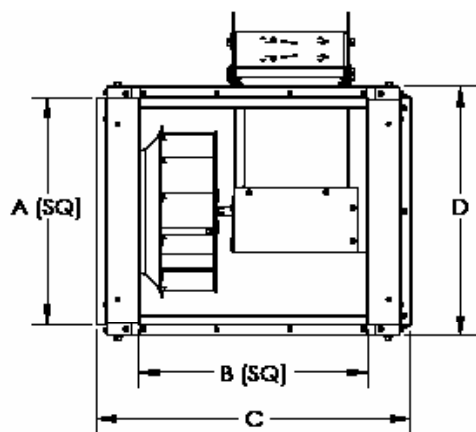


## SIDE DISCHARGE OPTION



## Dimensions (in.)

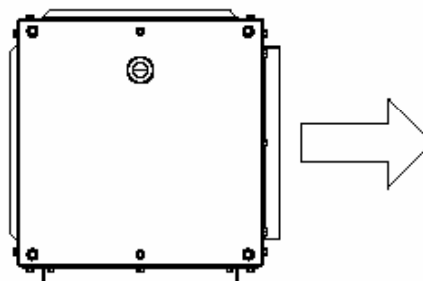
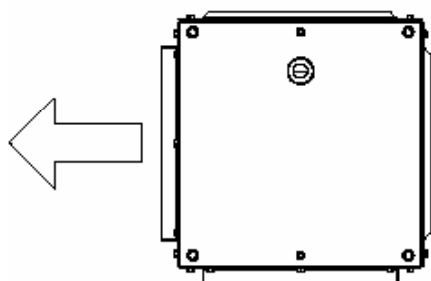
MODEL	A(IN)	B(IN)	C(IN)	D(IN)
SQB 7	11-7/8	11-7/8	23	15
SQB 8	11-7/8	11-7/8	23	15
SQB 10	13-7/8	13-7/8	23	17
SQB 12	17-7/8	17-7/8	23	21
SQB 15	21-7/8	21-7/8	30	24
SQB 15 HP	21-7/8	21-7/8	30	24
SQB 18	23-7/8	23-7/8	30	28
SQB 18 HP	23-7/8	23-7/8	30	28
SQB 20	27-7/8	27-7/8	34	32
SQB 20 HP	27-7/8	23-7/8	34	32
SQB 24	34-7/8	34-7/8	38	39
SQB 24 HP	34-7/8	34-7/8	38	39
SQB 30	39-7/8	39-7/8	40	44
SQB 30 HP	39-7/8	39-7/8	40	44
SQB 36	47-7/8	NA	45	52
SQB 36 HP	47-7/8	NA	45	52
SQB 42	53-7/8	NA	53	58



## Side Discharge Directions

**SIDE DISCHARGE LEFT**

**SIDE DISCHARGE RIGHT**



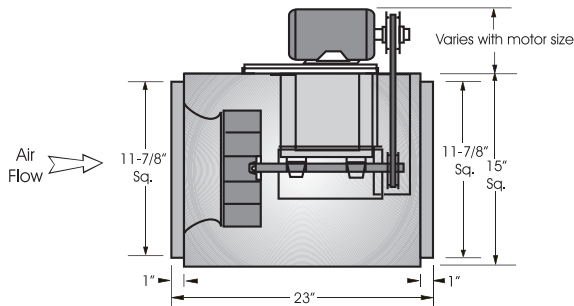
**AIRFLOW**

**AIRFLOW**



# PERFORMANCE/DIMENSIONS

## SQB 7



**Outlet Velocity = CFM x 1.02**  
**Tip Speed = RPM x 2.6835**  
**Maximum Motor Frame Size = 145T**  
**Maximum RPM = 2430**  
**Maximum BHP at a Given RPM = (RPM/3022)<sup>3</sup>**

**Unit Specifications**  
**Housing Metal Thickness = 18 GA.**  
**Approximate Weight = 75 lbs.**

CFM / BHP @ Static Pressure / Sones										Drive Range	RPM	HP	Tip Speed
1/8	1/4	3/8	1/2	5/8	3/4	1	1-1/4	1-1/2	1-3/4				
151	98	-	-	-	-	-	-	-	-	DP 1	1070	1/4	2871
.04/4.4	.04/4.4	-	-	-	-	-	-	-	-		1150	1/4	3086
169	122	-	-	-	-	-	-	-	-		1210	1/4	3247
.06/5.5	.06/5.4	-	-	-	-	-	-	-	-		1290	1/4	3462
182	138	86	-	-	-	-	-	-	-		1370	1/4	3676
.06/6.2	.06/6.1	.06/6.1	-	-	-	-	-	-	-		1450	1/4	3891
199	159	113	-	-	-	-	-	-	-		1530	1/4	4106
.08/7.1	.08/7.0	.08/7.0	-	-	-	-	-	-	-		1610	1/4	4320
216	179	138	89	-	-	-	-	-	-		1690	1/4	4535
.09/7.9	.09/7.7	.09/7.7	.09/7.7	-	-	-	-	-	-		1730	1/4	4642
233	199	161	118	-	-	-	-	-	-	1770	1/4	4750	
.11/8.6	.11/8.5	.11/8.4	.11/8.4	-	-	-	-	-	-	1810	1/4	4857	
249	217	182	144	99	-	-	-	-	-	1850	1/4	4964	
.13/9.4	.13/9.2	.13/9.1	.13/9.1	.12/9.1	-	-	-	-	-	1890	1/4	5072	
265	235	203	167	128	-	-	-	-	-	1930	1/4	5179	
.15/10.2	.15/10.1	.15/9.9	.15/9.9	.15/9.9	-	-	-	-	-	1970	1/3	5286	
281	253	223	190	154	114	-	-	-	-	2050	1/3	5501	
.18/11.2	.18/11.0	.18/10.8	.18/10.8	.17/10.8	.17/10.8	-	-	-	-	2110	1/3	5662	
289	262	232	201	167	129	-	-	-	-	2190	1/2	5877	
.19/11.8	.19/11.7	.19/11.4	.19/11.3	.19/11.3	.18/11.3	-	-	-	-	2270	1/2	6091	
297	270	242	211	178	143	-	-	-	-	2350	1/2	6306	
.20/12.4	.20/12.3	.20/12.0	.20/11.9	.20/11.9	.20/11.9	-	-	-	-	2430	1/2	6521	
304	279	251	222	190	156	-	-	-	-				
.22/13.0	.22/12.9	.22/12.6	.22/12.4	.22/12.4	.21/12.4	-	-	-	-				
312	287	260	232	201	169	-	-	-	-				
.23/13.6	.23/13.5	.23/13.2	.23/12.9	.23/12.9	.23/12.9	-	-	-	-				
320	296	270	242	212	181	105	-	-	-				
.25/14.2	.25/14.2	.25/13.9	.25/13.6	.25/13.5	.24/13.5	.22/13.5	-	-	-				
328	304	279	252	223	193	123	-	-	-				
.26/14.9	.26/14.8	.26/14.5	.26/14.3	.26/14.2	.26/14.2	.24/14.2	-	-	-				
335	312	288	261	234	205	138	-	-	-				
.28/15.5	.28/15.5	.28/15.2	.28/14.9	.28/14.8	.28/14.8	.26/14.8	-	-	-				
351	329	305	281	254	227	167	-	-	-				
.32/16.8	.31/16.7	.31/16.6	.31/16.3	.31/16.1	.31/16.1	.31/16.1	-	-	-				
362	341	319	295	270	243	186	116	-	-				
.34/17.8	.34/17.7	.34/17.6	.34/17.3	.34/17.1	.34/17.0	.34/17.0	.31/17.0	-	-				
377	357	336	313	289	264	211	150	-	-				
.39/19.1	.38/19.0	.38/18.9	.38/18.7	.38/18.5	.38/18.3	.38/18.3	.36/18.3	-	-				
393	373	353	331	309	285	235	179	107	-				
.43/20	.43/20	.42/20	.42/20	.43/19.9	.43/19.7	.43/19.7	.41/19.7	.38/19.7	-				
408	389	370	349	327	305	257	206	145	-				
.48/22	.47/22	.47/22	.47/22	.47/21	.47/21	.47/21	.46/21	.44/21	-				
423	405	386	366	346	324	279	231	176	102				
.53/24	.52/24	.52/24	.52/23	.52/23	.52/23	.52/23	.52/23	.50/23	.46/23				

Performance certified is for installation type B - free inlet, ducted outlet.  
 Power Ratings (BHP) does not include drive losses.  
 Performance ratings do not include the effects of appurtenances in the airstream.

The sound ratings shown are loudness values in fan sones @ 5' (1.5m) in a hemispherical free field calculated per AMCA Standard 301. Values shown are for installation type A - free inlet fan sone levels.



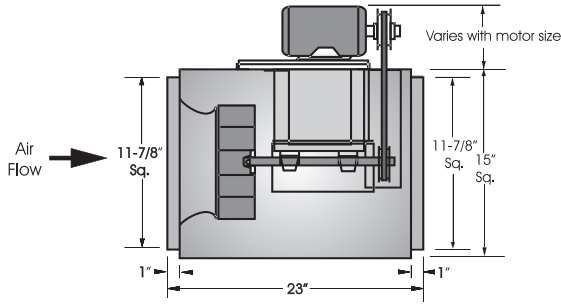
S&P USA Ventilation Systems, LLC., Div. of Soler & Palau Ventilation Group, certifies that the Models SQB shown herein are licensed to bear the AMCA Seal. The ratings shown are based on test and procedures performed in accordance with AMCA Publication 211 and AMCA Publication 311 and comply with the requirement of the AMCA Certified Ratings Program.







SQB 8



Outlet Velocity = CFM x 1.02

Tip Speed = RPM x 2.6835

Maximum Motor Frame Size = 145T

Maximum RPM = 2625

Maximum BHP at a Given RPM = (RPM/2876)<sup>3</sup>

Unit Specifications

Housing Metal Thickness = 18 GA.

Approximate Weight = 75 lbs.

CFM / BHP @ Static Pressure / Sones										Drive Range	RPM	HP	Tip Speed		
1/8	1/4	3/8	1/2	5/8	3/4	1	1-1/4	1-1/2	1-3/4						
453	347	-	-	-	-	-	-	-	-	DP5	1050	1/4	2818		
.05/5.0	.05/4.8	-	-	-	-	-	-	-	-		1125	1/4	3019		
542	460	336	-	-	-	-	-	-	-		1200	1/4	3220		
.07/7.0	.08/6.8	.07/6.8	-	-	-	-	-	-	-		1275	1/4	3421		
585	510	415	-	-	-	-	-	-	-		1350	1/4	3623		
.09/8.0	.09/7.8	.09/7.8	-	-	-	-	-	-	-		1425	1/4	3824		
627	558	477	331	-	-	-	-	-	-		1500	1/4	4025		
.10/8.7	.11/8.5	.11/8.4	.10/8.6	-	-	-	-	-	-		1575	1/4	4226		
669	604	532	434	-	-	-	-	-	-		1650	1/4	4428		
.12/9.5	.12/9.4	.13/9.2	.13/9.3	-	-	-	-	-	-		1725	1/4	4629		
711	650	584	503	346	-	-	-	-	-	DP6	1800	1/4	4830		
.14/10.2	.14/10.1	.15/10.0	.15/9.9	.14/10.0	-	-	-	-	-		1850	1/3	4964		
753	695	633	563	465	-	-	-	-	-		1900	1/3	5099		
.16/11.1	.16/10.9	.17/10.8	.17/10.7	.17/10.8	-	-	-	-	-		1950	1/3	5233		
794	738	681	618	539	397	-	-	-	-		2025	1/3	5434		
.18/12.0	.19/11.9	.19/11.7	.20/11.6	.20/11.7	.18/12.0	-	-	-	-		2075	1/2	5568		
835	782	728	669	602	509	-	-	-	-		DP7	2125	1/2	5702	
.21/13.1	.21/13.0	.22/12.8	.22/12.7	.23/12.6	.22/12.9	-	-	-	-			2175	1/2	5836	
876	825	774	719	658	584	-	-	-	-			2275	1/2	6105	
.24/14.3	.24/14.1	.25/13.9	.25/13.8	.26/13.7	.26/13.8	-	-	-	-			2325	1/2	6239	
903	853	804	752	694	627	-	-	-	-	DP8		2475	3/4	6642	
.26/15.0	.26/14.9	.27/14.7	.27/14.6	.28/14.4	.28/14.4	-	-	-	-			2625	3/4	7044	
930	882	833	783	729	667	445	-	-	-			DP9			
.28/15.8	.28/15.7	.29/15.5	.30/15.4	.30/15.2	.30/15.1	.28/15.6	-	-	-						
957	910	863	815	763	705	536	-	-	-						
.30/16.6	.31/16.5	.31/16.3	.32/16.2	.32/16.1	.33/15.9	.32/16.3	-	-	-						
998	952	907	861	812	759	623	-	-	-						
.34/17.8	.34/17.7	.35/17.6	.35/17.4	.36/17.3	.36/17.2	.36/17.3	-	-	-						
1024	980	936	891	844	794	671	-	-	-						
.37/18.7	.37/18.5	.37/18.4	.38/18.3	.39/18.1	.39/18.0	.39/18.0	-	-	-						
1051	1008	965	921	876	828	715	500	-	-						
.39/19.5	.40/19.4	.40/19.3	.41/19.1	.41/19.1	.42/18.9	.42/18.8	.39/19.2	-	-						
1078	1036	993	951	907	861	755	592	-	-						
.42/20	.42/20	.43/20	.44/19.9	.44/19.9	.45/19.8	.45/19.6	.44/20	-	-						
1132	1091	1051	1010	969	926	831	708	-	-						
.48/22	.48/22	.49/22	.50/22	.50/22	.51/22	.52/21	.52/22	-	-						
1158	1118	1079	1039	999	958	868	755	540	-						
.51/24	.52/23	.52/23	.53/23	.53/23	.54/23	.55/23	.55/23	.51/23	-						
1238	1200	1163	1126	1089	1051	971	878	758	-						
.62/27	.62/27	.63/27	.63/27	.64/27	.65/27	.66/26	.67/26	.66/26	-						
1318	1282	1247	1212	1177	1142	1068	988	894	766						
.74/30	.74/30	.75/30	.75/29	.76/29	.77/29	.78/29	.79/29	.80/29	.79/29						

Performance certified is for installation type B - free inlet, ducted outlet. Power Ratings (BHP) does not include drive losses. Performance ratings do not include the effects of appurtenances in the airstream.

The sound ratings shown are loudness values in fan sones @ 5' (1.5m) in a hemispherical free field calculated per AMCA Standard 301. Values shown are for installation type A - free inlet fan sone levels.

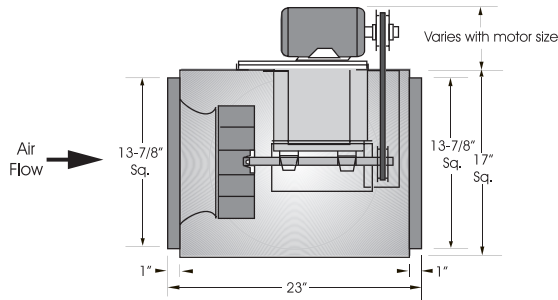


S&P USA Ventilation Systems, LLC., Div. of Soler & Palau Ventilation Group, certifies that the Models SQB shown herein are licensed to bear the AMCA Seal. The ratings shown are based on test and procedures performed in accordance with AMCA Publication 211 and AMCA Publication 311 and comply with the requirement of the AMCA Certified Ratings Program.





# SQB 10



**Outlet Velocity = CFM x 0.74**  
**Tip Speed = RPM x 3.207**  
**Maximum Motor Frame Size = 145T**  
**Maximum RPM = 2400**  
**Maximum BHP at a Given RPM = (RPM/2376)<sup>3</sup>**

**Unit Specifications**  
**Housing Metal Thickness = 18 GA.**  
**Approximate Weight = 85 lbs.**

CFM / BHP @ Static Pressure / Sones												Drive Range	RPM	HP	Tip Speed
1/8	1/4	3/8	1/2	5/8	3/4	1	1-1/4	1-1/2	1-3/4	2					
798	687	540	-	-	-	-	-	-	-	-	DP 10	1050	1/4	3367	
.09/5.5	.09/5.2	.09/5.1	-	-	-	-	-	-	-	-		1100	1/4	3528	
846	741	614	-	-	-	-	-	-	-	-		1175	1/4	3768	
.10/6.2	.10/5.8	.10/5.7	-	-	-	-	-	-	-	-		1250	1/4	4009	
917	821	712	557	-	-	-	-	-	-	-		1300	1/4	4169	
.12/7.2	.12/6.8	.12/6.6	.12/6.6	-	-	-	-	-	-	-		1350	1/4	4330	
988	897	800	681	436	-	-	-	-	-	-		1400	1/4	4490	
.14/8.3	.15/7.9	.15/7.5	.15/7.5	.12/7.5	-	-	-	-	-	-		1450	1/4	4650	
1035	948	856	750	594	-	-	-	-	-	-		1500	1/4	4811	
.16/8.8	.17/8.4	.17/8.0	.17/8.0	.16/8.0	-	-	-	-	-	-		1550	1/3	4971	
1081	997	911	814	688	-	-	-	-	-	-		1600	1/3	5131	
.18/9.4	.18/8.9	.19/8.6	.19/8.4	.18/8.4	-	-	-	-	-	-		1650	1/3	5292	
1127	1046	964	874	765	593	-	-	-	-	-		1700	1/2	5452	
.20/10.0	.21/9.5	.21/9.1	.21/8.9	.21/8.9	.19/8.9	-	-	-	-	-	1775	1/2	5692		
1173	1095	1016	932	834	702	-	-	-	-	-	1850	1/2	5933		
.22/10.5	.23/10.2	.23/9.7	.23/9.4	.23/9.4	.22/9.4	-	-	-	-	-	1900	1/2	6093		
1219	1143	1068	988	898	787	-	-	-	-	-	1950	3/4	6254		
.25/11.1	.25/10.7	.26/10.4	.26/10.0	.26/9.9	.25/9.9	-	-	-	-	-	2025	3/4	6494		
1265	1191	1118	1042	959	861	-	-	-	-	-	2100	3/4	6735		
.27/11.7	.28/11.3	.28/10.9	.28/10.6	.29/10.4	.28/10.4	-	-	-	-	-	2175	3/4	6975		
1310	1239	1169	1096	1018	929	634	-	-	-	-	2250	1	7216		
.30/12.4	.30/12.0	.31/11.6	.31/11.2	.31/11.0	.31/11.0	.27/10.9	-	-	-	-	2400	1	7697		
1356	1286	1216	1148	1074	992	763	-	-	-	-					
.33/13.1	.33/12.7	.34/12.3	.34/11.9	.34/11.6	.34/11.5	.32/11.5	-	-	-	-					
1401	1334	1267	1200	1130	1053	857	-	-	-	-					
.36/13.9	.36/13.5	.37/13.1	.37/12.7	.38/12.4	.38/12.3	.36/12.1	-	-	-	-					
1469	1404	1340	1276	1210	1140	973	654	-	-	-					
.41/14.9	.41/14.6	.42/14.3	.42/13.9	.43/13.6	.43/13.3	.42/13.3	.36/13.2	-	-	-					
1536	1474	1413	1352	1289	1224	1076	864	-	-	-					
.46/16.2	.47/15.8	.47/15.5	.48/15.1	.48/14.8	.48/14.5	.48/14.4	.46/14.3	-	-	-					
1581	1520	1461	1401	1341	1278	1139	957	-	-	-					
.50/17.0	.50/16.7	.51/16.3	.51/16.0	.52/15.7	.52/15.3	.53/15.1	.51/15.1	-	-	-					
1626	1566	1508	1451	1392	1332	1200	1037	741	-	-					
.54/17.9	.54/17.5	.55/17.2	.56/16.9	.56/16.5	.57/16.2	.57/15.9	.56/15.9	.49/15.9	-	-					
1693	1636	1579	1524	1468	1411	1288	1145	943	-	-					
.60/19.2	.61/18.8	.61/18.5	.62/18.2	.63/17.9	.63/17.6	.64/17.1	.63/17.1	.60/17.1	-	-					
1760	1704	1650	1597	1543	1488	1373	1243	1079	773	-					
.67/21	.68/20	.68/19.9	.69/19.6	.70/19.3	.70/19.0	.71/18.4	.71/18.3	.69/18.2	.60/18.3	-					
1827	1773	1720	1669	1617	1564	1456	1336	1194	993	-					
.75/22	.75/22	.76/21	.76/21	.77/21	.78/20	.79/19.8	.79/19.5	.78/19.5	.74/19.4	-					
1894	1841	1790	1740	1690	1640	1536	1424	1297	1135	849					
.83/24	.83/23	.84/23	.84/23	.85/22	.86/22	.87/21	.87/21	.87/21	.85/21	.74/21					
2027	1977	1929	1882	1835	1788	1693	1593	1484	1360	1205					
1.00/27	1.01/27	1.01/26	1.02/26	1.03/26	1.03/25	1.05/25	1.06/24	1.06/24	1.06/24	1.03/24					

Performance certified is for installation type B - free inlet, ducted outlet.  
 Power Ratings (BHP) does not include drive losses.  
 Performance ratings do not include the effects of appurtenances in the airstream.

The sound ratings shown are loudness values in fan sones @ 5' (1.5m) in a hemispherical free field calculated per AMCA Standard 301. Values shown are for installation type A - free inlet fan sone levels.

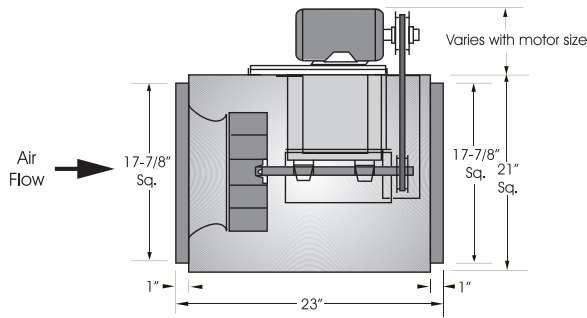


S&P USA Ventilation Systems, LLC., Div. of Soler & Palau Ventilation Group, certifies that the Models SQB shown herein are licensed to bear the AMCA Seal. The ratings shown are based on test and procedures performed in accordance with AMCA Publication 211 and AMCA Publication 311 and comply with the requirement of the AMCA Certified Ratings Program.





SQB 12



Outlet Velocity = CFM x 0.45  
Tip Speed = RPM x 3.534  
Maximum Motor Frame Size = 145T  
Maximum RPM = 2125  
Maximum BHP at a Given RPM = (RPM/1821)<sup>3</sup>

Unit Specifications  
Housing Metal Thickness = 18 GA.  
Approximate Weight = 95 lbs.

CFM / BHP @ Static Pressure / Sones											Drive Range	RPM	HP	Tip Speed	
1/8	1/4	3/8	1/2	5/8	3/4	1	1-1/4	1-1/2	1-3/4	2					
1293	1098	769	-	-	-	-	-	-	-	-	DP 15	900	1/4	3181	
.12/5.9	.12/5.6	.11/5.4	-	-	-	-	-	-	-	-		DP 16	1000	1/4	3534
1474	1309	1102	-	-	-	-	-	-	-	-			1025	1/4	3623
.16/7.3	.16/7.0	.16/6.8	-	-	-	-	-	-	-	-		1075	1/4	3799	
1518	1359	1165	806	-	-	-	-	-	-	-		DP 17	1120	1/4	3958
.17/7.6	.18/7.4	.18/7.1	.15/6.9	-	-	-	-	-	-	-			1170	1/4	4135
.20/8.4	.20/8.1	.21/7.9	.20/7.7	-	-	-	-	-	-	-			1225	1/3	4330
1607	1458	1284	1036	-	-	-	-	-	-	-		DP 18	1275	1/3	4506
.22/9.1	.23/8.9	.23/8.6	.23/8.4	-	-	-	-	-	-	-			1325	1/2	4683
1686	1544	1384	1177	-	-	-	-	-	-	-			1400	1/2	4948
.25/10.0	.26/9.7	.26/9.4	.26/9.3	.24/9.1	-	-	-	-	-	-	1475		1/2	5213	
1773	1639	1491	1312	1032	-	-	-	-	-	-	DP 19	1525	3/4	5390	
.29/11.0	.30/10.8	.30/10.5	.30/10.3	.30/10.1	-	-	-	-	-	-		1575	3/4	5567	
1868	1741	1604	1445	1235	-	-	-	-	-	-		1625	3/4	5743	
.33/12.0	.33/11.8	.34/11.5	.34/11.3	.34/11.1	.31/10.9	-	-	-	-	-		1675	3/4	5920	
1954	1833	1704	1558	1380	1099	-	-	-	-	-		DP 20	1700	1	6008
.37/13.1	.37/12.8	.38/12.5	.39/12.3	.38/12.1	.37/11.9	-	-	-	-	-	1750		1	6185	
2040	1924	1801	1667	1509	1297	-	-	-	-	-	1800		1	6362	
.43/14.6	.44/14.3	.45/14.1	.45/13.8	.45/13.7	.45/13.5	-	-	-	-	-	1850		1	6538	
2168	2059	1945	1822	1685	1520	-	-	-	-	-	1900		1-1/2	6715	
.51/15.8	.51/15.5	.52/15.3	.53/15.1	.53/14.9	.53/14.7	.48/14.5	-	-	-	-	2000		1-1/2	7069	
2296	2192	2085	1973	1850	1710	1282	-	-	-	-	2125	1-1/2	7510		
.56/16.6	.57/16.3	.57/16.1	.58/15.9	.59/15.7	.59/15.6	.56/15.3	-	-	-	-					
2380	2280	2178	2070	1955	1827	1481	-	-	-	-					
.62/17.3	.62/17.1	.63/16.9	.64/16.7	.64/16.5	.65/16.4	.63/16.1	-	-	-	-					
2465	2368	2269	2167	2057	1938	1639	-	-	-	-					
.68/18.2	.68/18.0	.69/17.8	.70/17.6	.71/17.4	.71/17.2	.70/17.0	.62/16.7	-	-	-					
2549	2456	2360	2262	2158	2046	1778	1303	-	-	-					
.74/19.0	.75/18.8	.76/18.6	.76/18.4	.77/18.2	.78/18.0	.78/17.8	.73/17.6	-	-	-					
2633	2543	2450	2356	2256	2151	1906	1545	-	-	-					
.77/19.4	.78/19.2	.79/19.0	.80/18.6	.80/18.6	.81/18.5	.81/18.2	.78/18.0	-	-	-					
2675	2586	2495	2402	2305	2202	1967	1638	-	-	-					
.84/21	.85/20	.86/20	.87/19.9	.88/19.6	.88/19.4	.89/19.1	.87/18.9	.66/18.7	-	-					
2759	2672	2585	2495	2402	2304	2084	1800	1111	-	-					
.92/22	.93/21	.93/21	.94/21	.95/21	.96/21	.97/20	.95/19.7	.87/19.5	-	-					
2843	2758	2673	2586	2497	2403	2197	1943	1539	-	-					
2926	2844	2762	2678	2591	2501	2306	2074	1751	-	-					
1.00/23	1.00/22	1.01/22	1.02/22	1.03/22	1.04/22	1.05/21	1.04/21	.99/20	-	-					
3010	2930	2850	2768	2684	2598	2412	2197	1920	1356	-					
1.08/24	1.09/24	1.09/23	1.10/23	1.11/23	1.12/23	1.13/22	1.13/22	1.10/22	.91/21	-					
3176	3101	3024	2947	2869	2788	2618	2428	2203	1897	-					
1.26/26	1.27/26	1.27/26	1.28/26	1.29/25	1.30/25	1.32/25	1.33/24	1.32/24	1.26/24	-					
3384	3313	3241	3169	3096	3022	2866	2699	2510	2286	1979					
1.51/29	1.52/29	1.52/29	1.53/29	1.54/29	1.55/28	1.57/28	1.59/28	1.59/27	1.57/26	1.50/26					

Performance certified is for installation type B - free inlet, ducted outlet.  
Power Ratings (BHP) does not include drive losses.  
Performance ratings do not include the effects of appurtenances in the airstream.

The sound ratings shown are loudness values in fan sones @ 5' (1.5m) in a hemispherical free field calculated per AMCA Standard 301. Values shown are for installation type A - free inlet fan sone levels.

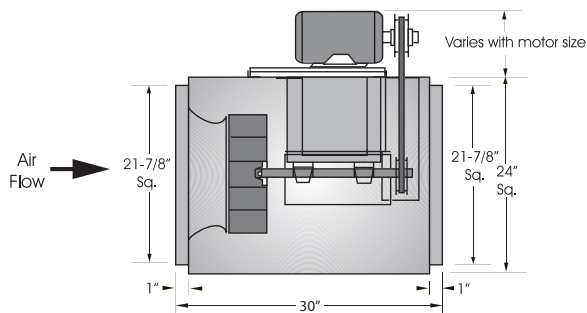


S&P USA Ventilation Systems, LLC., Div. of Soler & Palau Ventilation Group, certifies that the Models SQB shown herein are licensed to bear the AMCA Seal. The ratings shown are based on test and procedures performed in accordance with AMCA Publication 211 and AMCA Publication 311 and comply with the requirement of the AMCA Certified Ratings Program.





# SQB 15



**Outlet Velocity = CFM x 0.30**  
**Tip Speed = RPM x 4.058**  
**Maximum Motor Frame Size = 184T**  
**Maximum RPM = 1910**  
**Maximum BHP at a Given RPM = (RPM/1492)<sup>3</sup>**

**Unit Specifications**  
**Housing Metal Thickness = 18 GA.**  
**Approximate Weight = 140 lbs.**

CFM / BHP @ Static Pressure / Sones												Drive Range	RPM	HP	Tip Speed
1/8	1/4	3/8	1/2	5/8	3/4	1	1-1/4	1-1/2	1-3/4	2	2-1/4				
1611	1408	1135	-	-	-	-	-	-	-	-	-	DP 21	770	1/4	3126
.13/6.4	.14/5.8	.14/5.0	-	-	-	-	-	-	-	-	-				
1753	1567	1349	-	-	-	-	-	-	-	-	-	DP 22	825	1/4	3348
.16/7.3	.16/6.8	.17/6.1	-	-	-	-	-	-	-	-	-				
1894	1721	1531	1269	-	-	-	-	-	-	-	-	DP 23	880	1/4	3571
.19/8.3	.20/7.7	.20/7.1	.20/6.3	-	-	-	-	-	-	-	-				
2071	1911	1745	1548	1227	-	-	-	-	-	-	-	DP 24	950	1/4	3855
.23/9.6	.24/9.0	.25/8.4	.26/7.7	.24/7.0	-	-	-	-	-	-	-				
2172	2018	1861	1684	1447	-	-	-	-	-	-	-	DP 25	990	1/3	4017
.26/10.3	.27/9.7	.29/9.2	.29/8.6	.29/7.8	-	-	-	-	-	-	-				
2347	2203	2058	1904	1723	1464	-	-	-	-	-	-	DP 26	1060	1/3	4301
.32/11.7	.33/11.1	.35/10.6	.36/10.2	.36/9.4	.35/8.7	-	-	-	-	-	-				
2459	2320	2182	2038	1877	1674	-	-	-	-	-	-	DP 27	1105	1/2	4484
.36/12.6	.38/12.1	.39/11.6	.40/11.1	.41/10.5	.40/9.7	-	-	-	-	-	-				
2595	2462	2331	2197	2052	1884	-	-	-	-	-	-	DP 28	1160	1/2	4707
.42/13.7	.43/13.3	.45/12.9	.46/12.4	.47/12.0	.47/11.1	-	-	-	-	-	-				
2707	2577	2452	2324	2189	2038	1576	-	-	-	-	-	DP 29	1205	1/2	4890
.47/14.9	.48/14.3	.50/13.9	.51/13.5	.52/13.1	.53/12.4	.49/10.8	-	-	-	-	-				
2842	2718	2597	2476	2350	2214	1865	-	-	-	-	-	DP 30	1260	3/4	5113
.54/16.0	.55/15.6	.56/15.1	.58/14.6	.59/14.2	.60/13.7	.59/12.2	-	-	-	-	-				
3026	2908	2794	2680	2564	2442	2159	1668	-	-	-	-	DP 31	1335	3/4	5417
.64/17.7	.65/17.2	.66/16.7	.68/16.3	.69/15.9	.71/15.4	.72/14.1	.66/12.7	-	-	-	-				
3124	3009	2897	2787	2675	2559	2298	1925	-	-	-	-	DP 32	1375	3/4	5580
.70/18.5	.71/18.1	.72/17.6	.74/17.2	.75/16.8	.77/16.4	.78/15.1	.76/13.8	-	-	-	-				
3295	3184	3078	2973	2868	2760	2526	2236	1585	-	-	-	DP 33	1445	1	5864
.81/20	.82/19.6	.83/19.2	.85/18.8	.87/18.4	.88/18.0	.90/17.1	.91/15.6	.76/14.3	-	-	-				
3502	3396	3295	3196	3097	2996	2786	2545	2225	-	-	-	DP 34	1530	1	6209
.96/22	.97/22	.98/21	1.00/21	1.02/20	1.03/19.9	1.06/19.2	1.08/18.0	1.06/16.7	-	-	-				
3575	3471	3371	3274	3177	3079	2874	2645	2356	1672	-	-	DP 35	1560	1-1/2	6330
1.01/23	1.03/22	1.04/22	1.06/21	1.08/21	1.09/21	1.12/19.9	1.14/18.8	1.13/17.5	.93/16.2	-	-				
3732	3632	3536	3442	3349	3255	3063	2853	2608	2268	-	-	DP 36	1625	1-1/2	6594
1.14/24	1.16/24	1.17/24	1.19/23	1.21/23	1.23/22	1.26/21	1.29/21	1.29/19.3	1.25/18.1	-	-				
3854	3756	3662	3570	3480	3390	3205	3007	2784	2503	1963	-	DP 37	1675	1-1/2	6797
1.25/26	1.27/25	1.28/25	1.30/24	1.32/24	1.34/24	1.37/23	1.40/22	1.42/21	1.40/19.5	1.24/18.4	-				
3999	3904	3813	3724	3636	3549	3372	3187	2983	2742	2413	-	DP 38	1735	1-1/2	7040
1.39/27	1.40/27	1.42/26	1.44/26	1.46/25	1.48/25	1.51/24	1.55/24	1.57/22	1.57/21	1.52/20	-				
4023	3928	3838	3749	3662	3576	3400	3216	3015	2780	2465	-	DP 39	1745	2	7081
1.42/27	1.43/27	1.44/26	1.46/26	1.48/26	1.50/25	1.54/25	1.57/24	1.60/23	1.60/22	1.56/20	-				
4119	4027	3938	3851	3766	3681	3510	3333	3141	2923	2651	2181	DP 40	1785	2	7243
1.52/28	1.53/28	1.54/28	1.56/27	1.58/27	1.60/26	1.64/26	1.68/25	1.70/24	1.71/23	1.69/22	1.54/20				
4252	4162	4075	3991	3908	3826	3660	3490	3310	3110	2876	2558	DP 41	1840	2	7467
1.66/30	1.67/29	1.69/29	1.71/29	1.73/28	1.75/28	1.79/27	1.82/26	1.86/26	1.88/24	1.87/23	1.81/22				
4421	4333	4249	4168	4087	4008	3849	3688	3518	3336	3131	2884	DP 42	1910	2	7751
1.85/32	1.87/31	1.88/31	1.90/31	1.92/30	1.94/30	1.98/29	2.03/28	2.06/27	2.09/27	2.10/25	2.08/24				

Performance certified is for installation type B - free inlet, ducted outlet.  
 Power Ratings (BHP) does not include drive losses.  
 Performance ratings do not include the effects of appurtenances in the airstream.

The sound ratings shown are loudness values in fan sones @ 5' (1.5m) in a hemispherical free field calculated per AMCA Standard 301. Values shown are for installation type A - free inlet fan sone levels.

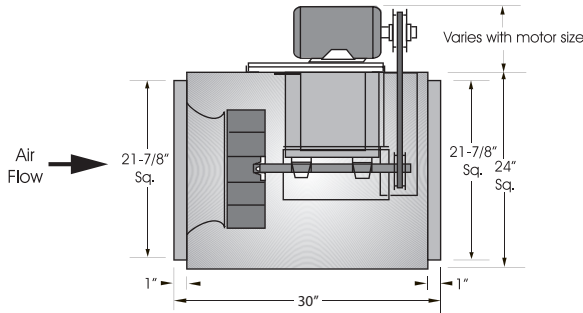


S&P USA Ventilation Systems, LLC., Div. of Soler & Palau Ventilation Group, certifies that the Models SQB shown herein are licensed to bear the AMCA Seal. The ratings shown are based on test and procedures performed in accordance with AMCA Publication 211 and AMCA Publication 311 and comply with the requirement of the AMCA Certified Ratings Program.





# SQBHP 15



**Outlet Velocity = CFM x 0.30**  
**Tip Speed = RPM x 4.058**  
**Maximum Motor Frame Size = 184T**  
**Maximum RPM = 2130**  
**Maximum BHP at a Given RPM = (RPM/1708)<sup>3</sup>**

**Unit Specifications**  
**Housing Metal Thickness = 18 GA.**  
**Approximate Weight = 140 lbs.**

CFM / BHP @ Static Pressure / Sones											Drive Range	RPM	HP	Tip Speed	
3/4	1	1-1/4	1-1/2	1-3/4	2	2-1/4	2-1/2	2-3/4	3	3-1/4					3-1/2
1313	741	-	-	-	-	-	-	-	-	-	-	DP 28	1140	1/3	4626
.31/12.6	.26/11.8	-	-	-	-	-	-	-	-	-	-				
1432	1002	-	-	-	-	-	-	-	-	-	-	DP 29	1180	1/3	4788
.35/13.8	.32/13.1	-	-	-	-	-	-	-	-	-	-				
1850	1588	1220	-	-	-	-	-	-	-	-	-	DP 30	1340	1/2	5438
.51/18.2	.51/17.5	.48/16.8	-	-	-	-	-	-	-	-	-				
1910	1660	1326	-	-	-	-	-	-	-	-	-	DP 31	1365	1/2	5539
.53/18.8	.54/18.0	.52/17.4	-	-	-	-	-	-	-	-	-				
1969	1731	1422	847	-	-	-	-	-	-	-	-	DP 31	1390	3/4	5640
.56/19.4	.57/18.6	.55/17.9	.46/17.4	-	-	-	-	-	-	-	-				
2086	1865	1595	1200	-	-	-	-	-	-	-	-	DP 31	1440	3/4	5843
.62/21	.63/19.8	.62/19.1	.58/18.4	-	-	-	-	-	-	-	-				
2200	1994	1751	1431	-	-	-	-	-	-	-	-	DP 31	1490	3/4	6046
.69/22	.70/21	.70/20	.67/19.6	-	-	-	-	-	-	-	-				
2312	2118	1896	1621	1210	-	-	-	-	-	-	-	DP 32	1540	3/4	6249
.75/24	.77/23	.77/21	.76/21	.69/20	-	-	-	-	-	-	-				
2421	2239	2033	1788	1464	-	-	-	-	-	-	-	DP 32	1590	1	6452
.83/26	.84/24	.85/23	.84/22	.80/21	-	-	-	-	-	-	-				
2530	2356	2163	1941	1666	1255	-	-	-	-	-	-	DP 32	1640	1	6655
.90/27	.92/26	.93/25	.93/23	.90/23	.82/22	-	-	-	-	-	-				
2637	2471	2290	2085	1842	1521	-	-	-	-	-	-	DP 32	1690	1	6858
.98/29	1.00/28	1.02/27	1.02/25	1.01/24	.95/23	-	-	-	-	-	-				
2690	2528	2352	2154	1924	1630	1155	-	-	-	-	-	DP 32	1715	1	6959
1.02/30	1.05/29	1.06/28	1.07/26	1.06/25	1.02/24	.89/23	-	-	-	-	-				
2742	2584	2412	2222	2002	1730	1334	-	-	-	-	-	DP 33	1740	1-1/2	7061
1.06/30	1.09/31	1.11/29	1.12/27	1.11/26	1.07/24	.98/24	-	-	-	-	-				
2847	2695	2532	2353	2151	1912	1601	1044	-	-	-	-	DP 33	1790	1-1/2	7264
1.15/32	1.18/32	1.20/31	1.21/29	1.21/27	1.19/26	1.13/25	.95/25	-	-	-	-				
2951	2805	2649	2480	2293	2077	1814	1443	-	-	-	-	DP 33	1840	1-1/2	7467
1.25/33	1.28/34	1.30/32	1.32/31	1.32/31	1.31/28	1.27/27	1.17/26	-	-	-	-				
3054	2913	2764	2604	2428	2231	1999	1702	1225	-	-	-	DP 33	1890	1-1/2	7669
1.35/35	1.38/35	1.40/34	1.42/33	1.43/31	1.42/30	1.40/28	1.34/28	1.18/27	-	-	-				
3156	3020	2877	2724	2559	2376	2166	1914	1572	-	-	-	DP 33	1940	1-1/2	7872
1.45/36	1.48/36	1.51/36	1.53/35	1.54/33	1.54/31	1.53/30	1.49/29	1.39/29	-	-	-				
3258	3126	2988	2842	2685	2514	2322	2099	1821	1410	-	-	DP 33	1990	2	8075
1.56/38	1.60/38	1.63/38	1.65/37	1.66/35	1.67/33	1.66/32	1.63/31	1.57/30	1.42/30	-	-				
3359	3231	3098	2958	2809	2647	2469	2267	2028	1716	1179	-	DP 33	2040	2	8278
1.67/39	1.71/39	1.74/40	1.77/39	1.79/37	1.80/35	1.79/34	1.77/33	1.73/32	1.64/32	1.40/31	-				
3459	3336	3207	3072	2929	2776	2610	2424	2211	1952	1596	-	DP 33	2090	2	8481
1.79/41	1.83/41	1.87/41	1.90/41	1.92/39	1.93/38	1.93/36	1.92/35	1.89/34	1.83/34	1.70/33	-				
3499	3377	3250	3117	2977	2827	2664	2485	2280	2036	1715	1131	DP 33	2110	2	8562
1.84/42	1.88/42	1.92/42	1.95/42	1.97/40	1.98/38	1.99/37	1.98/36	1.95/35	1.90/34	1.79/34	1.50/33				
3539	3418	3293	3162	3024	2877	2718	2544	2347	2115	1821	1361	DP 33	2130	2	8643
1.89/43	1.93/42	1.97/43	2.00/43	2.03/41	2.04/39	2.05/38	2.04/37	2.02/36	1.97/35	1.88/34	1.67/34				

Performance certified is for installation type B - free inlet, ducted outlet.  
 Power Ratings (BHP) does not include drive losses.  
 Performance ratings do not include the effects of appurtenances in the airstream.

The sound ratings shown are loudness values in fan sones @ 5' (1.5m) in a hemispherical free field calculated per AMCA Standard 301. Values shown are for installation type A - free inlet fan sone levels.



S&P USA Ventilation Systems, LLC., Div. of Soler & Palau Ventilation Group, certifies that the Models SQB shown herein are licensed to bear the AMCA Seal. The ratings shown are based on test and procedures performed in accordance with AMCA Publication 211 and AMCA Publication 311 and comply with the requirement of the AMCA Certified Ratings Program.



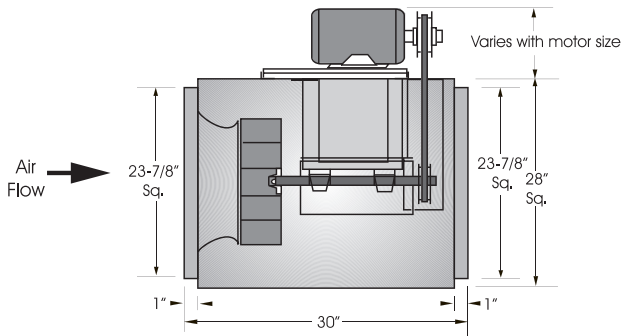


# MODEL SQB

## BELT DRIVE SQUARE INLINE CENTRIFUGAL DUCT FAN



### SQB 18



- Outlet Velocity = CFM x 0.25
- Tip Speed = RPM x 4.843
- Maximum Motor Frame Size = 184T
- Maximum RPM = 1640
- Maximum BHP at a Given RPM = (RPM/1122)<sup>3</sup>

#### Unit Specifications

- Housing Metal Thickness = 18 GA.
- Approximate Weight = 190 lbs.

CFM / BHP @ Static Pressure / Sones												Drive Range	RPM	HP	Tip Speed
1/8	1/4	3/8	1/2	5/8	3/4	1	1-1/4	1-1/2	1-3/4	2	2-1/4				
2395	2155	1888	1443	-	-	-	-	-	-	-	-	DP 34	700	1/3	3390
.22/6.7	.23/6.2	.24/6.0	.23/5.9	-	-	-	-	-	-	-	-	DP 35	750	1/3	3632
2600	2376	2141	1845	-	-	-	-	-	-	-	-	DP 36	800	1/3	3875
.27/7.6	.28/7.2	.30/6.9	.30/6.7	-	-	-	-	-	-	-	-	DP 37	850	1/2	4117
2803	2592	2378	2135	1786	-	-	-	-	-	-	-	DP 38	900	1/2	4359
.32/8.6	.34/8.2	.35/7.8	.36/7.6	.35/7.4	-	-	-	-	-	-	-	DP 39	925	1/2	4480
3005	2805	2607	2393	2135	1662	-	-	-	-	-	-	DP 37	975	3/4	4722
.38/9.6	.40/9.2	.42/8.9	.43/8.5	.43/8.3	.39/8.1	-	-	-	-	-	-	DP 38	1025	3/4	4964
3206	3014	2829	2635	2417	2137	-	-	-	-	-	-	DP 39	1050	1	5085
.45/10.8	.47/10.3	.49/9.9	.51/9.6	.52/9.3	.51/9.0	-	-	-	-	-	-	DP 40	1100	1	5328
3306	3119	2938	2752	2548	2301	-	-	-	-	-	-	DP 39	1125	1	5449
.49/11.3	.51/10.9	.53/10.6	.55/10.2	.56/9.8	.56/9.6	-	-	-	-	-	-	DP 40	1150	1	5570
3505	3326	3154	2981	2797	2589	1754	-	-	-	-	-	DP 39	1200	1-1/2	5812
.57/12.5	.59/12.1	.61/11.7	.63/11.3	.65/11.0	.66/10.7	.56/10.2	-	-	-	-	-	DP 40	1250	1-1/2	6054
3704	3531	3367	3204	3034	2851	2364	-	-	-	-	-	DP 39	1300	1-1/2	6296
.66/13.7	.68/13.4	.71/13.0	.73/12.6	.75/12.3	.76/11.9	.75/11.3	-	-	-	-	-	DP 40	1325	2	6417
3803	3633	3473	3314	3150	2976	2541	-	-	-	-	-	DP 39	1375	2	6660
.71/14.4	.73/14.0	.76/13.6	.78/13.3	.80/12.9	.81/12.5	.81/11.9	-	-	-	-	-	DP 40	1425	2	6902
4000	3837	3682	3531	3377	3217	2846	2189	-	-	-	-	DP 39	1475	3	7144
.81/15.7	.84/15.3	.86/14.9	.89/14.6	.91/14.2	.93/13.9	.94/13.2	.86/12.5	-	-	-	-	DP 40	1525	3	7386
4099	3938	3787	3638	3489	3334	2985	2469	-	-	-	-	DP 39	1600	3	7749
.87/16.3	.89/15.9	.92/15.6	.94/15.2	.97/14.9	.99/14.5	1.01/13.8	.97/13.2	-	-	-	-	DP 40	1640	3	7943
4198	4039	3890	3745	3600	3450	3119	2673	-	-	-	-	DP 39			
.92/17.0	.95/16.6	.98/16.3	1.00/15.9	1.03/15.6	1.05/15.2	1.07/14.5	1.06/13.9	-	-	-	-	DP 40			
4394	4241	4097	3957	3818	3677	3374	3006	2313	-	-	-	DP 39			
1.05/18.5	1.07/18.1	1.10/17.7	1.13/17.4	1.16/17.0	1.18/16.7	1.21/15.9	1.22/15.2	1.10/14.6	-	-	-	DP 40			
4591	4442	4303	4168	4034	3900	3618	3295	2853	-	-	-	DP 39			
1.18/19.7	1.21/19.4	1.24/19.0	1.27/18.7	1.30/18.3	1.32/18.0	1.36/17.3	1.38/16.6	1.35/15.9	-	-	-	DP 40			
4786	4642	4507	4376	4248	4120	3854	3562	3202	2566	-	-	DP 39			
1.33/21	1.36/21	1.39/20	1.42/20	1.45/19.7	1.47/19.4	1.52/18.7	1.55/18.0	1.55/17.3	1.42/16.7	-	-	DP 40			
4884	4742	4609	4480	4354	4228	3970	3689	3356	2865	-	-	DP 39			
1.40/22	1.43/21	1.46/21	1.50/21	1.52/20	1.55/20	1.60/19.4	1.64/18.7	1.64/18.1	1.57/17.4	-	-	DP 40			
5080	4941	4812	4687	4565	4444	4198	3937	3641	3265	-	-	DP 39			
1.57/23	1.60/23	1.63/22	1.66/22	1.69/22	1.72/21	1.78/21	1.82/20	1.84/19.5	1.82/18.9	-	-	DP 40			
5275	5140	5014	4893	4774	4657	4422	4176	3906	3588	3141	-	DP 39			
1.74/24	1.77/24	1.81/24	1.84/23	1.87/23	1.90/23	1.96/22	2.01/22	2.04/21	2.04/20	1.97/19.7	-	DP 40			
5469	5339	5216	5098	4983	4869	4643	4409	4159	3877	3526	2924	DP 39			
1.93/26	1.96/25	2.00/25	2.03/25	2.06/25	2.10/24	2.16/24	2.21/23	2.25/22	2.27/22	2.25/21	2.07/21	DP 40			
5664	5536	5416	5301	5190	5079	4861	4638	4403	4146	3845	3447	DP 39			
2.13/27	2.16/27	2.20/27	2.23/26	2.27/26	2.30/26	2.37/25	2.43/25	2.48/24	2.51/23	2.51/23	2.44/22	DP 40			
5955	5833	5717	5606	5498	5393	5184	4974	4757	4526	4271	3972	DP 39			
2.45/29	2.49/29	2.53/29	2.56/28	2.60/28	2.64/28	2.71/27	2.78/27	2.83/26	2.87/26	2.90/25	2.89/24	DP 40			
6111	5990	5877	5786	5662	5559	5355	5151	4941	4721	4482	4212	DP 39			
2.64/30	2.68/30	2.72/30	2.75/30	2.79/29	2.83/29	2.90/29	2.97/28	3.03/28	3.08/27	3.11/26	3.12/26	DP 40			

Performance certified is for installation type B - free inlet, ducted outlet.  
 Power Ratings (BHP) does not include drive losses.  
 Performance ratings do not include the effects of appurtenances in the airstream.

The sound ratings shown are loudness values in fan sones @ 5' (1.5m) in a hemispherical free field calculated per AMCA Standard 301. Values shown are for installation type A - free inlet fan sone levels.

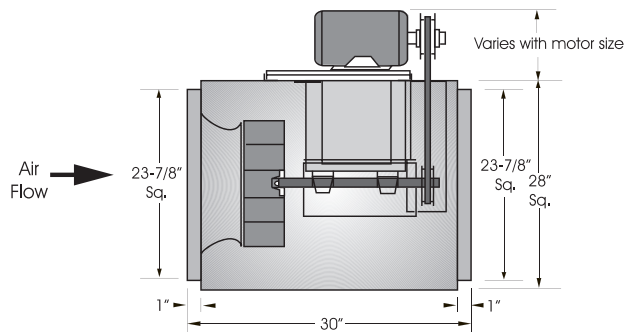


S&P USA Ventilation Systems, LLC., Div. of Soler & Palau Ventilation Group, certifies that the Models SQB shown herein are licensed to bear the AMCA Seal. The ratings shown are based on test and procedures performed in accordance with AMCA Publication 211 and AMCA Publication 311 and comply with the requirement of the AMCA Certified Ratings Program.





# SQBHP 18



Outlet Velocity = CFM x 0.25

Tip Speed = RPM x 4.843

Maximum Motor Frame Size = 184T

Maximum RPM = 1800

Maximum BHP at a Given RPM = (RPM/1251)<sup>3</sup>

### Unit Specifications

Housing Metal Thickness = 18 GA.

Approximate Weight = 190 lbs.

CFM / BHP @ Static Pressure / Sones											Drive Range	RPM	HP	Tip Speed
3/4	1	1-1/4	1-1/2	1-3/4	2	2-1/4	2-1/2	2-3/4	3	3-1/4				
2119	-	-	-	-	-	-	-	-	-	-	DP 41	980	1/2	4746
.50/9.5	-	-	-	-	-	-	-	-	-	-				
2209	1559	-	-	-	-	-	-	-	-	-	DP 42	1000	1/2	4843
.53/9.9	.47/9.0	-	-	-	-	-	-	-	-	-				
2318	1845	-	-	-	-	-	-	-	-	-	DP 43	1025	3/4	4964
.57/10.6	.55/9.6	-	-	-	-	-	-	-	-	-				
2525	2165	-	-	-	-	-	-	-	-	-	DP 44	1075	3/4	5207
.65/11.9	.66/10.8	-	-	-	-	-	-	-	-	-				
2721	2416	1857	-	-	-	-	-	-	-	-	DP 45	1125	3/4	5449
.74/13.3	.76/12.2	.69/11.2	-	-	-	-	-	-	-	-				
2817	2530	2095	-	-	-	-	-	-	-	-	DP 46	1150	1	5570
.78/14.0	.81/12.9	.78/11.9	-	-	-	-	-	-	-	-				
3004	2746	2410	-	-	-	-	-	-	-	-	DP 46	1200	1	5812
.88/15.5	.91/14.3	.91/13.3	-	-	-	-	-	-	-	-				
3187	2950	2664	2216	-	-	-	-	-	-	-	DP 46	1250	1	6054
.98/17.0	1.02/15.8	1.04/14.7	.99/13.8	-	-	-	-	-	-	-				
3277	3049	2780	2403	-	-	-	-	-	-	-	DP 46	1275	1	6175
1.03/17.6	1.08/16.5	1.10/15.4	1.07/14.4	-	-	-	-	-	-	-				
3456	3242	3000	2696	2105	-	-	-	-	-	-	DP 46	1325	1-1/2	6417
1.15/18.8	1.20/17.8	1.23/16.7	1.23/15.7	1.10/14.8	-	-	-	-	-	-				
3632	3429	3207	2945	2581	-	-	-	-	-	-	DP 46	1375	1-1/2	6660
1.27/20	1.32/19.1	1.36/18.0	1.38/17.1	1.35/16.1	-	-	-	-	-	-				
3806	3613	3407	3172	2879	2374	-	-	-	-	-	DP 46	1425	1-1/2	6902
1.40/21	1.46/20	1.51/19.5	1.53/18.5	1.53/17.6	1.41/16.7	-	-	-	-	-				
3978	3794	3600	3385	3133	2793	-	-	-	-	-	DP 46	1475	2	7144
1.54/23	1.60/22	1.65/21	1.69/20	1.70/19.1	1.67/18.2	-	-	-	-	-				
4149	3973	3788	3589	3364	3087	2661	-	-	-	-	DP 46	1525	2	7386
1.68/24	1.75/23	1.81/22	1.86/21	1.88/21	1.87/19.7	1.78/18.8	-	-	-	-				
4234	4061	3881	3688	3473	3217	2863	-	-	-	-	DP 46	1550	2	7507
1.76/25	1.83/24	1.89/23	1.94/22	1.97/21	1.98/20	1.92/19.6	-	-	-	-				
4318	4149	3973	3786	3580	3340	3029	-	-	-	-	DP 46	1575	2	7628
1.84/25	1.91/25	1.98/24	2.03/23	2.06/22	2.08/21	2.04/20	-	-	-	-				
4403	4236	4065	3883	3685	3458	3178	2731	-	-	-	DP 46	1600	3	7749
1.92/26	2.00/25	2.06/25	2.12/24	2.16/23	2.18/22	2.16/21	2.03/20	-	-	-				
4570	4410	4245	4073	3888	3683	3442	3128	-	-	-	DP 46	1650	3	7991
2.09/28	2.17/27	2.24/26	2.30/25	2.35/24	2.38/23	2.38/23	2.33/22	-	-	-				
4738	4582	4424	4259	4085	3896	3682	3424	3062	-	-	DP 46	1700	3	8234
2.27/29	2.35/28	2.43/28	2.50/27	2.55/26	2.59/25	2.61/24	2.59/23	2.50/23	-	-				
4904	4753	4600	4443	4278	4100	3906	3682	3403	2963	-	DP 46	1750	3	8476
2.46/30	2.55/30	2.63/29	2.70/28	2.76/28	2.81/27	2.84/26	2.85/25	2.81/24	2.64/24	-				
4987	4838	4688	4534	4372	4201	4013	3802	3547	3194	-	DP 46	1775	3	8597
2.56/31	2.65/30	2.73/30	2.81/29	2.87/28	2.92/28	2.96/27	2.97/26	2.95/25	2.84/24	-				
5069	4923	4775	4624	4466	4299	4119	3918	3682	3377	2739	DP 46	1800	3	8718
2.66/32	2.75/31	2.84/31	2.91/30	2.98/29	3.04/28	3.08/27	3.10/27	3.09/26	3.02/25	2.68/24				

Performance certified is for installation type B - free inlet, ducted outlet.  
 Power Ratings (BHP) does not include drive losses.  
 Performance ratings do not include the effects of appurtenances in the airstream.

The sound ratings shown are loudness values in fan sones @ 5' (1.5m) in a hemispherical free field calculated per AMCA Standard 301. Values shown are for installation type A - free inlet fan sone levels.



S&P USA Ventilation Systems, LLC., Div. of Soler & Palau Ventilation Group, certifies that the Models SQB shown herein are licensed to bear the AMCA Seal. The ratings shown are based on test and procedures performed in accordance with AMCA Publication 211 and AMCA Publication 311 and comply with the requirement of the AMCA Certified Ratings Program.



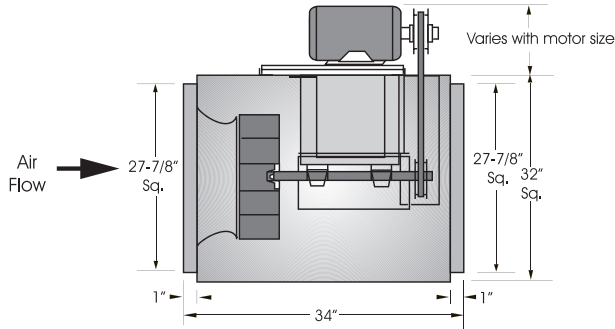


# MODEL SQB

## BELT DRIVE SQUARE INLINE CENTRIFUGAL DUCT FAN



### SQB 20



- Outlet Velocity = CFM x 0.18
- Tip Speed = RPM x 5.629
- Maximum Motor Frame Size = 184T
- Maximum RPM = 1275
- Maximum BHP at a Given RPM = (RPM/870)<sup>3</sup>

#### Unit Specifications

- Housing Metal Thickness = 18 GA.
- Approximate Weight = 220 lbs.

CFM / BHP @ Static Pressure / Sones												Drive Range	RPM	HP	Tip Speed	
1/8	1/4	3/8	1/2	5/8	3/4	1	1-1/4	1-1/2	1-3/4	2	2-1/4					
3297	2923	2428	-	-	-	-	-	-	-	-	-	-	DP 47	750	1/3	3236
.27/7.1	.29/6.9	.29/5.5	-	-	-	-	-	-	-	-	-	-				
3470	3118	2683	-	-	-	-	-	-	-	-	-	-	DP 48	600	1/3	3377
.30/7.7	.32/7.7	.33/6.3	-	-	-	-	-	-	-	-	-	-				
3539	3195	2778	2028	-	-	-	-	-	-	-	-	-	DP 49	610	1/3	3433
.32/8.0	.34/8.0	.35/6.7	.31/5.6	-	-	-	-	-	-	-	-	-				
3813	3496	3134	2646	-	-	-	-	-	-	-	-	-	DP 50	650	1/2	3659
.38/8.9	.40/8.9	.42/8.1	.41/6.7	-	-	-	-	-	-	-	-	-				
3982	3681	3344	2920	2054	-	-	-	-	-	-	-	-	DP 51	675	1/2	3799
.43/9.4	.45/9.4	.47/8.8	.47/7.5	.39/6.6	-	-	-	-	-	-	-	-				
4151	3862	3546	3167	2603	-	-	-	-	-	-	-	-	DP 52	700	1/2	3940
.47/10.0	.50/9.9	.52/9.6	.52/8.3	.50/7.3	-	-	-	-	-	-	-	-				
4486	4220	3935	3615	3217	2551	-	-	-	-	-	-	-	DP 53	750	3/4	4222
.58/11.2	.60/11.0	.63/10.8	.64/9.9	.64/8.8	.58/ 8.0	-	-	-	-	-	-	-				
4653	4396	4125	3824	3468	2971	-	-	-	-	-	-	-	DP 54	775	3/4	4362
.63/11.9	.66/11.5	.69/11.4	.71/10.7	.71/9.6	.68/8.8	-	-	-	-	-	-	-				
4819	4571	4311	4028	3702	3286	-	-	-	-	-	-	-	DP 55	800	3/4	4503
.69/12.6	.73/12.3	.75/12.0	.77/11.6	.78/10.5	.77/9.6	-	-	-	-	-	-	-				
5051	4814	4568	4305	4011	3661	-	-	-	-	-	-	-	DP 56	835	1	4700
.79/13.6	.82/13.4	.85/13.1	.87/12.9	.89/11.9	.89/10.9	-	-	-	-	-	-	-				
5216	4987	4750	4498	4222	3904	2801	-	-	-	-	-	-	DP 57	860	1	4841
.86/14.4	.89/14.2	.92/13.9	.95/13.7	.97/12.9	.97/11.9	.85/10.2	-	-	-	-	-	-				
5380	5158	4929	4688	4427	4134	3286	-	-	-	-	-	-	DP 58	885	1	4981
.93/15.2	.97/15.0	1.00/14.7	1.03/14.5	1.05/14.0	1.06/12.9	1.00/11.1	-	-	-	-	-	-				
5643	5431	5214	4987	4746	4482	3809	-	-	-	-	-	-	DP 59	925	1-1/2	5207
1.06/16.5	1.10/16.3	1.13/16.1	1.16/16.0	1.19/15.8	1.20/14.7	1.19/12.7	-	-	-	-	-	-				
5970	5769	5565	5354	5132	4895	4335	3429	-	-	-	-	-	DP 60	975	1-1/2	5488
1.24/18.2	1.28/18.0	1.32/17.9	1.35/17.7	1.38/17.6	1.40/17.0	1.41/14.9	1.30/13.1	-	-	-	-	-				
6199	6005	5809	5607	5396	5173	4665	3963	-	-	-	-	-	DP 61	1010	1-1/2	5685
1.37/19.4	1.41/19.2	1.45/19.1	1.49/19.0	1.52/18.9	1.55/18.7	1.57/16.6	1.52/14.6	-	-	-	-	-				
6296	6106	5912	5714	5508	5291	4801	4150	-	-	-	-	-	DP 62	1025	2	5769
1.43/20	1.48/19.8	1.52/19.7	1.55/19.5	1.59/19.4	1.61/19.4	1.64/17.3	1.61/15.3	-	-	-	-	-				
6622	6440	6256	6069	5876	5675	5233	4697	3880	-	-	-	-	DP 63	1075	2	6051
1.65/22	1.69/22	1.74/22	1.78/22	1.81/21	1.84/21	1.89/19.8	1.89/17.7	1.77/15.9	-	-	-	-				
6849	6673	6496	6315	6130	5938	5523	5038	4388	-	-	-	-	DP 64	1110	2	6248
1.81/23	1.86/23	1.90/23	1.95/23	1.98/23	2.02/23	2.07/22	2.09/19.5	2.03/17.6	-	-	-	-				
7108	6938	6768	6594	6417	6235	5845	5403	4856	3987	-	-	-	DP 65	1150	3	6473
2.01/25	2.06/25	2.11/25	2.15/25	2.19/24	2.23/24	2.29/24	2.32/22	2.30/19.6	2.12/17.8	-	-	-				
7431	7269	7106	6940	6772	6600	6237	5835	5366	4753	-	-	-	DP 66	1200	3	6754
2.28/27	2.33/27	2.38/27	2.43/27	2.47/27	2.51/27	2.58/27	2.63/25	2.63/22	2.56/20	-	-	-				
7754	7598	7442	7284	7124	6960	6618	6248	5831	5329	4622	-	-	DP 67	1250	3	7036
2.57/29	2.63/29	2.68/29	2.73/29	2.78/29	2.82/29	2.90/29	2.95/28	2.98/25	2.96/23	2.81/21	-	-				
7916	7763	7609	7455	7298	7138	6806	6450	6053	5588	4979	3527	-	DP 68	1275	3	7177
2.73/30	2.78/30	2.84/30	2.89/30	2.94/30	2.98/30	3.06/30	3.12/29	3.16/27	3.15/24	3.06/22	2.48/21	-				

Performance certified is for installation type B - free inlet, ducted outlet.  
 Power Ratings (BHP) does not include drive losses.  
 Performance ratings do not include the effects of appurtenances in the airstream.

The sound ratings shown are loudness values in fan sones @ 5' (1.5m) in a hemispherical free field calculated per AMCA Standard 301. Values shown are for installation type A - free inlet fan sone levels.



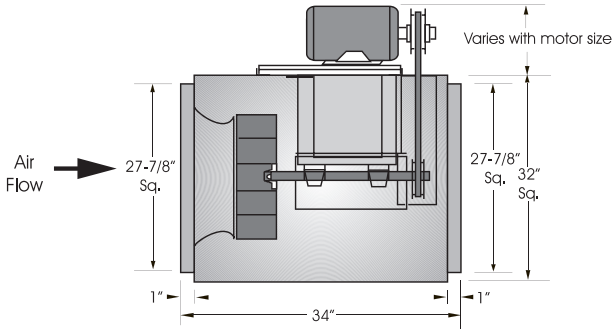
S&P USA Ventilation Systems, LLC., Div. of Soler & Palau Ventilation Group, certifies that the Models SQB shown herein are licensed to bear the AMCA Seal. The ratings shown are based on test and procedures performed in accordance with AMCA Publication 211 and AMCA Publication 311 and comply with the requirement of the AMCA Certified Ratings Program.







SQBHP 20



Outlet Velocity = CFM x 0.18
Tip Speed = RPM x 5.629
Maximum Motor Frame Size = 184T
Maximum RPM = 1440
Maximum BHP at a Given RPM = (RPM/988)^3

Unit Specifications
Housing Metal Thickness = 18 GA.
Approximate Weight = 220 lbs.

Table with columns: CFM / BHP @ Static Pressure / Sones (3/4, 1, 1-1/4, 1-1/2, 1-3/4, 2, 2-1/4, 2-1/2, 2-3/4), Drive Range (DP-54 to DP-58), RPM, HP, Tip Speed.

Performance certified is for installation type B - free inlet, ducted outlet. Power Ratings (BHP) does not include drive losses. Performance ratings do not include the effects of appurtenances in the airstream.

The sound ratings shown are loudness values in fan sones @ 5' (1.5m) in a hemispherical free field calculated per AMCA Standard 301. Values shown are for installation type A - free inlet fan sone levels.

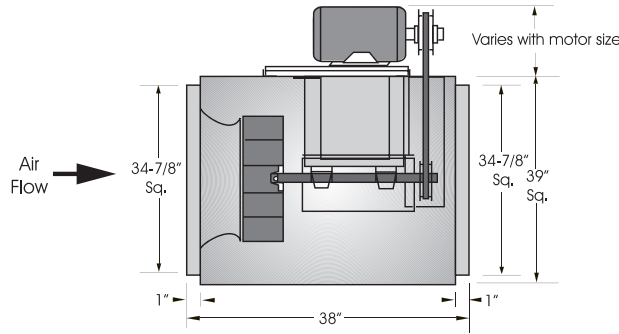


S&P USA Ventilation Systems, LLC., Div. of Soler & Palau Ventilation Group, certifies that the Models SQB shown herein are licensed to bear the AMCA Seal. The ratings shown are based on test and procedures performed in accordance with AMCA Publication 211 and AMCA Publication 311 and comply with the requirement of the AMCA Certified Ratings Program.





SQB 24



Outlet Velocity = CFM x 0.11
Tip Speed = RPM x 6.48
Maximum Motor Frame Size = 215T
Maximum RPM = 1235
Maximum BHP at a Given RPM = (RPM/711)³

Unit Specifications
Housing Metal Thickness = 18 GA.
Approximate Weight = 320 lbs.

Table with columns for CFM / BHP @ Static Pressure / Sones (1/8 to 2-1/4), Drive Range (DP 59 to DP 65), RPM, HP, and Tip Speed. The table lists performance data for various fan models and drive configurations.

Performance certified is for installation type B - free inlet, ducted outlet.
Power Ratings (BHP) does not include drive losses.
Performance ratings do not include the effects of appurtenances in the airstream.

The sound ratings shown are loudness values in fan sones @ 5' (1.5m) in a hemispherical free field calculated per AMCA Standard 301. Values shown are for installation type A - free inlet fan sone levels.



S&P USA Ventilation Systems, LLC., Div. of Soler & Palau Ventilation Group, certifies that the Models SQB shown herein are licensed to bear the AMCA Seal. The ratings shown are based on test and procedures performed in accordance with AMCA Publication 211 and AMCA Publication 311 and comply with the requirement of the AMCA Certified Ratings Program.

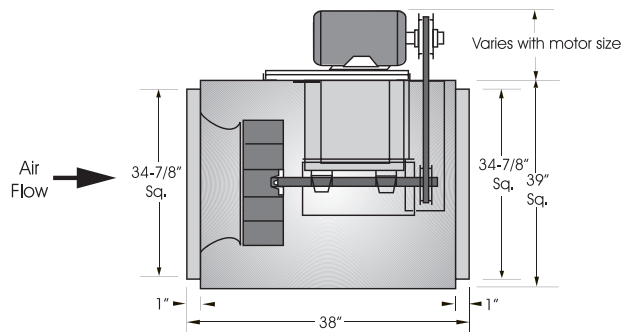




# MODEL SQB

## BELT DRIVE SQUARE INLINE CENTRIFUGAL DUCT FAN

### SQBHP 24



Outlet Velocity = CFM x 0.11  
 Tip Speed = RPM x 6.48  
 Maximum Motor Frame Size = 215T  
 Maximum RPM = 1515  
 Maximum BHP at a Given RPM = (RPM/774)<sup>3</sup>

**Unit Specifications**  
 Housing Metal Thickness = 18 GA.  
 Approximate Weight = 320 lbs.

CFM / BHP @ Static Pressure / Sones											Drive Range	RPM	HP	Tip Speed	
3/4	1	1-1/4	1-1/2	1-3/4	2	2-1/4	2-1/2	2-3/4	3	3-1/4					3-1/2
4251	3195	-	-	-	-	-	-	-	-	-	-	DP 66	765	1	4957
.99/12.0	.91/10.4	-	-	-	-	-	-	-	-	-	-				
4474	3589	-	-	-	-	-	-	-	-	-	-	DP 67	785	1	5086
1.07/12.8	1.03/11.7	-	-	-	-	-	-	-	-	-	-				
4794	4054	-	-	-	-	-	-	-	-	-	-	DP 68	815	1-1/2	5281
1.19/14.0	1.18/12.8	-	-	-	-	-	-	-	-	-	-				
5251	4635	3676	-	-	-	-	-	-	-	-	-	DP 69	860	1-1/2	5572
1.38/15.8	1.40/14.7	1.31/13.2	-	-	-	-	-	-	-	-	-				
5641	5095	4370	-	-	-	-	-	-	-	-	-	DP 69	900	1-1/2	5832
1.56/17.5	1.61/16.4	1.58/15.3	-	-	-	-	-	-	-	-	-				
5973	5472	4853	3868	-	-	-	-	-	-	-	-	DP 69	935	2	6058
1.74/19.1	1.79/18.0	1.80/16.8	1.66/15.1	-	-	-	-	-	-	-	-				
6159	5680	5103	4281	-	-	-	-	-	-	-	-	DP 69	955	2	6188
1.84/20	1.90/18.9	1.92/17.8	1.84/16.7	-	-	-	-	-	-	-	-				
6481	6034	5515	4848	3558	-	-	-	-	-	-	-	DP 69	990	2	6415
2.03/22	2.10/20	2.14/19.4	2.11/18.4	1.81/15.6	-	-	-	-	-	-	-				
6887	6473	6008	5453	4687	-	-	-	-	-	-	-	DP 69	1035	3	6706
2.29/24	2.38/23	2.44/21	2.44/20	2.35/19.5	-	-	-	-	-	-	-				
7331	6947	6527	6047	5458	4589	-	-	-	-	-	-	DP 69	1085	3	7030
2.61/26	2.71/25	2.78/24	2.82/23	2.79/22	2.62/20	-	-	-	-	-	-				
7725	7364	6974	6542	6039	5400	4319	-	-	-	-	-	DP 69	1130	3	7322
2.92/27	3.03/27	3.11/25	3.17/24	3.18/23	3.11/23	2.80/20	-	-	-	-	-				
7985	7637	7265	6857	6395	5836	5059	-	-	-	-	-	DP 70	1160	5	7516
3.14/28	3.25/28	3.35/27	3.42/26	3.45/25	3.41/24	3.25/23	-	-	-	-	-				
8330	7997	7645	7265	6844	6357	5750	4815	-	-	-	-	DP 70	1200	5	7775
3.45/30	3.57/30	3.68/28	3.76/27	3.81/26	3.81/25	3.73/25	3.45/22	-	-	-	-				
8671	8352	8018	7660	7272	6835	6321	5654	4413	-	-	-	DP 70	1240	5	8035
3.77/31	3.91/31	4.02/30	4.11/29	4.18/28	4.21/27	4.18/26	4.05/25	3.54/22	-	-	-				
8968	8660	8339	7999	7633	7230	6770	6213	5440	-	-	-	DP 70	1275	5	8261
4.08/33	4.22/33	4.34/32	4.44/31	4.52/30	4.57/29	4.57/28	4.50/27	4.27/26	-	-	-				
9179	8878	8566	8237	7885	7502	7072	6567	5921	4817	-	-	DP 70	1300	5	8423
4.30/34	4.45/34	4.58/33	4.69/32	4.77/31	4.83/30	4.85/29	4.81/28	4.66/27	4.19/25	-	-				
9431	9139	8836	8519	8183	7820	7419	6962	6408	5645	-	-	DP 70	1330	5	8618
4.59/35	4.74/35	4.87/34	4.99/33	5.09/32	5.16/31	5.19/31	5.18/30	5.09/29	4.84/27	-	-				
9891	9613	9326	9028	8715	8382	8023	7626	7174	6630	5891	-	DP 71	1385	7 1/2	8974
5.14/37	5.30/37	5.44/37	5.58/36	5.69/35	5.78/34	5.84/33	5.86/32	5.84/32	5.74/31	5.47/29	-				
10223	9954	9678	9392	9094	8779	8443	8078	7673	7207	6637	5829	DP 71	1425	7 1/2	9233
5.56/39	5.73/39	5.89/39	6.03/38	6.15/37	6.25/36	6.33/35	6.38/34	6.38/34	6.34/33	6.19/32	5.84/30				
10513	10251	9984	9707	9420	9119	8800	8458	8084	7665	7176	6562	DP 71	1460	7 1/2	9460
5.96/41	6.13/41	6.29/41	6.44/40	6.57/39	6.68/38	6.77/37	6.84/36	6.87/36	6.85/35	6.77/34	6.57/33				
10760	10505	10244	9975	9697	9406	9100	8774	8422	8034	7593	7068	DP 71	1490	7 1/2	9564
6.31/42	6.49/42	6.66/42	6.81/42	6.95/41	7.07/40	7.17/39	7.25/38	7.29/37	7.30/36	7.25/36	7.12/35				
10996	10716	10460	10197	9925	9642	9346	9032	8696	8329	7919	7445	DP 71	1515	7 1/2	9816
6.61/43	6.80/43	6.97/43	7.13/43	7.27/42	7.40/41	7.51/40	7.59/40	7.65/39	7.68/38	7.65/37	7.56/36				

Performance certified is for installation type B - free inlet, ducted outlet.  
 Power Ratings (BHP) does not include drive losses.  
 Performance ratings do not include the effects of appurtenances in the airstream.

The sound ratings shown are loudness values in fan sones @ 5' (1.5m) in a hemispherical free field calculated per AMCA Standard 301. Values shown are for installation type A - free inlet fan sone levels.



S&P USA Ventilation Systems, LLC., Div. of Soler & Palau Ventilation Group, certifies that the Models SQB shown herein are licensed to bear the AMCA Seal. The ratings shown are based on test and procedures performed in accordance with AMCA Publication 211 and AMCA Publication 311 and comply with the requirement of the AMCA Certified Ratings Program.



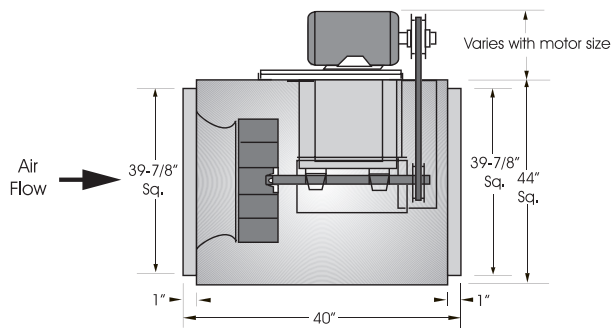


# MODEL SQB

## BELT DRIVE SQUARE INLINE CENTRIFUGAL DUCT FAN



### SQB 30



- Outlet Velocity = CFM x 0.09
- Tip Speed = RPM x 8.017
- Maximum Motor Frame Size = 215T
- Maximum RPM = 1000
- Maximum BHP at a Given RPM = (RPM/510)<sup>3</sup>

### Unit Specifications

- Housing Metal Thickness = 16 GA.
- Approximate Weight = 420 lbs.

CFM / BHP @ Static Pressure / Sones											Drive Range	RPM	HP	Tip Speed	
1/8	1/4	3/8	1/2	5/8	3/4	1	1-1/4	1-1/2	1-3/4	2					2-1/4
5919	5239	4395	-	-	-	-	-	-	-	-	-	DP 72	425	3/4	3407
.53/7.6	.57/7.1	.58/6.4	-	-	-	-	-	-	-	-	-				
6341	5711	4978	3879	-	-	-	-	-	-	-	-	DP 73	450	3/4	3608
.63/8.5	.67/8.0	.69/7.3	.65/6.5	-	-	-	-	-	-	-	-				
6675	6079	5408	4526	-	-	-	-	-	-	-	-	DP 74	470	3/4	3768
.71/9.3	.75/8.8	.78/8.1	.77/7.3	-	-	-	-	-	-	-	-				
7174	6619	6017	5300	4214	-	-	-	-	-	-	-	DP 75	500	1	4009
.85/10.6	.90/10.0	.93/9.5	.94/8.6	.89/7.8	-	-	-	-	-	-	-				
7503	6972	6406	5757	4900	-	-	-	-	-	-	-	DP 76	520	1	4169
.95/11.6	1.00/10.9	1.04/10.4	1.06/9.6	1.04/8.7	-	-	-	-	-	-	-				
7995	7496	6973	6397	5707	4707	-	-	-	-	-	-	DP 77	550	1-1/2	4410
1.12/13.0	1.17/12.4	1.22/11.9	1.25/11.2	1.25/10.2	1.19/9.4	-	-	-	-	-	-				
8403	7926	7433	6901	6294	5525	-	-	-	-	-	-	DP 78	575	1-1/2	4610
1.28/14.3	1.33/13.7	1.38/13.2	1.42/12.6	1.43/11.7	1.41/10.7	-	-	-	-	-	-				
8646	8182	7705	7196	6625	5935	-	-	-	-	-	-	DP 79	590	1-1/2	4730
1.37/15.1	1.43/14.5	1.48/14.0	1.52/13.4	1.55/12.5	1.54/11.6	-	-	-	-	-	-				
9212	8775	8330	7863	7358	6784	5002	-	-	-	-	-	DP 80	625	2	5011
1.63/16.8	1.69/16.3	1.75/15.8	1.79/15.3	1.83/14.7	1.84/13.7	1.69/11.8	-	-	-	-	-				
9615	9195	8770	8328	7857	7337	5958	-	-	-	-	-	DP 81	650	2	5211
1.82/17.9	1.89/17.4	1.95/16.9	2.00/16.4	2.04/15.9	2.07/15.0	2.01/13.2	-	-	-	-	-				
10417	10027	9635	9233	8815	8369	7324	5651	-	-	-	-	DP 82	700	3	5612
2.27/20	2.34/19.5	2.40/19.0	2.47/18.6	2.52/18.2	2.56/17.8	2.58/16.0	2.38/14.4	-	-	-	-				
10817	10440	10062	9677	9279	8860	7909	6605	-	-	-	-	DP 83	725	3	5813
2.51/21	2.59/21	2.66/20	2.72/19.7	2.78/19.3	2.83/18.9	2.88/17.4	2.78/15.9	-	-	-	-				
11215	10851	10487	10116	9736	9339	8461	7349	5116	-	-	-	DP 84	750	3	6013
2.78/22	2.85/22	2.93/21	3.00/21	3.06/20	3.11/20	3.18/18.9	3.15/17.4	2.65/16.0	-	-	-				
12010	11669	11327	10983	10632	10271	9497	8601	7420	-	-	-	DP 85	800	5	6414
3.36/25	3.44/24	3.52/24	3.60/24	3.67/23	3.73/23	3.83/22	3.86/20	3.76/19.1	-	-	-				
12407	12075	11744	11412	11074	10727	9993	9165	8144	6529	-	-	DP 86	825	5	6615
3.68/26	3.76/26	3.85/25	3.92/25	4.00/25	4.07/24	4.18/24	4.24/22	4.19/21	3.86/19.3	-	-				
12803	12481	12160	11837	11511	11178	10478	9704	8791	7552	-	-	DP 87	850	5	6815
4.02/27	4.10/27	4.19/27	4.27/26	4.35/26	4.42/26	4.54/25	4.62/24	4.62/22	4.45/21	-	-				
13198	12885	12573	12260	11945	11623	10953	10224	9390	8344	6595	-	DP 88	875	5	7015
4.38/29	4.47/28	4.56/28	4.64/28	4.72/27	4.80/27	4.93/26	5.03/25	5.06/24	4.96/22	4.48/21	-				
13356	13046	12738	12429	12117	11800	11141	10428	9620	8629	7128	-	DP 89	885	5	7096
4.53/29	4.62/29	4.71/29	4.79/28	4.88/28	4.95/28	5.09/27	5.19/26	5.23/25	5.16/23	4.80/22	-				
13987	13691	13396	13100	12803	12503	11883	11224	10500	9665	8607	6796	DP 90	925	7 1/2	7416
5.16/32	5.26/32	5.35/31	5.44/31	5.53/30	5.61/30	5.76/29	5.89/29	5.96/27	5.96/26	5.82/24	5.21/23				
14381	14092	13805	13518	13229	12937	12339	11708	11025	10256	9332	8049	DP 91	950	7 1/2	7617
5.58/34	5.68/33	5.78/33	5.87/32	5.96/32	6.05/32	6.21/31	6.35/30	6.44/29	6.47/28	6.40/26	6.09/25				
14775	14493	14213	13933	13652	13369	12790	12184	11535	10819	9988	8936	DP 92	975	7 1/2	7817
6.03/35	6.13/35	6.23/35	6.33/34	6.42/34	6.51/33	6.68/33	6.83/32	6.94/31	6.99/29	6.97/28	6.79/27				
15168	14893	14620	14347	14074	13798	13237	12654	12034	11360	10599	9686	DP 93	1000	7 1/2	8018
6.50/37	6.61/37	6.71/36	6.81/36	6.91/35	7.00/35	7.18/34	7.33/34	7.45/33	7.53/31	7.54/30	7.44/28				

Performance certified is for installation type B - free inlet, ducted outlet.  
 Power Ratings (BHP) does not include drive losses.  
 Performance ratings do not include the effects of appurtenances in the airstream.

The sound ratings shown are loudness values in fan sones @ 5' (1.5m) in a hemispherical free field calculated per AMCA Standard 301. Values shown are for installation type A - free inlet fan sone levels.

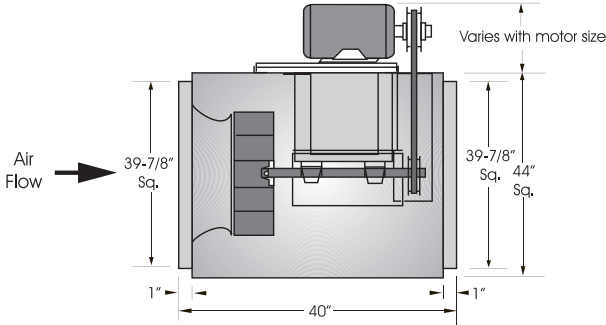


S&P USA Ventilation Systems, LLC., Div. of Soler & Palau Ventilation Group, certifies that the Models SQB shown herein are licensed to bear the AMCA Seal. The ratings shown are based on test and procedures performed in accordance with AMCA Publication 211 and AMCA Publication 311 and comply with the requirement of the AMCA Certified Ratings Program.





# SQBHP 30



**Outlet Velocity = CFM x 0.09**  
**Tip Speed = RPM x 8.017**  
**Maximum Motor Frame Size = 215T**  
**Maximum RPM = 1120**  
**Maximum BHP at a Given RPM = (RPM/572)<sup>3</sup>**

**Unit Specifications**  
**Housing Metal Thickness = 16 GA.**  
**Approximate Weight = 420 lbs.**

CFM / BHP @ Static Pressure / Sones											Drive Range	RPM	HP	Tip Speed	
3/4	1	1-1/4	1-1/2	1-3/4	2	2-1/4	2-1/2	2-3/4	3	3-1/4					3-1/2
5295	3906	-	-	-	-	-	-	-	-	-	-	DP 79	615	1-1/2	4931
1.26/12.0	1.18/10.8	-	-	-	-	-	-	-	-	-	-		640	1-1/2	5131
5739	4646	-	-	-	-	-	-	-	-	-	-	DP 80	660	1-1/2	5292
1.42/13.2	1.39/12.0	-	-	-	-	-	-	-	-	-	-		690	2	5532
6078	5117	-	-	-	-	-	-	-	-	-	-	DP 81	710	2	5692
1.55/14.2	1.55/13.0	-	-	-	-	-	-	-	-	-	-		725	2	5813
6565	5735	4452	-	-	-	-	-	-	-	-	-	DP 81	735	2	5893
1.75/15.8	1.78/14.5	1.68/13.3	-	-	-	-	-	-	-	-	-		765	3	6133
6880	6112	5051	-	-	-	-	-	-	-	-	-	DP 81	785	3	6494
1.90/16.9	1.94/15.6	1.89/14.4	-	-	-	-	-	-	-	-	-		810	3	6494
7112	6382	5426	-	-	-	-	-	-	-	-	-	DP 81	830	3	6655
2.01/17.7	2.06/16.5	2.04/15.2	-	-	-	-	-	-	-	-	-		835	5	6695
7265	6558	5657	3916	-	-	-	-	-	-	-	-	DP 82	900	5	7216
2.09/18.3	2.15/17.0	2.13/15.7	1.87/14.9	-	-	-	-	-	-	-	-		920	5	7376
7715	7066	6286	5172	-	-	-	-	-	-	-	-	DP 82	945	5	7577
2.34/19.7	2.41/18.7	2.43/17.5	2.33/16.3	-	-	-	-	-	-	-	-		975	5	7817
8011	7393	6670	5720	-	-	-	-	-	-	-	-	DP 83	990	5	7937
2.51/21	2.59/19.8	2.62/18.6	2.57/17.4	-	-	-	-	-	-	-	-		1020	7 1/2	8178
8375	7790	7125	6304	5034	-	-	-	-	-	-	-	DP 83	1045	7 1/2	8378
2.73/22	2.83/21	2.88/19.9	2.86/18.8	2.68/17.8	-	-	-	-	-	-	-		1090	7 1/2	8739
8663	8102	7474	6725	5696	-	-	-	-	-	-	-	DP 83	1110	7 1/2	8900
2.92/23	3.03/22	3.09/21	3.10/19.9	2.99/18.9	-	-	-	-	-	-	-		1120	7 1/2	8980
8734	8179	7559	6826	5838	-	-	-	-	-	-	-	DP 83	1120	7 1/2	8980
2.97/23	3.08/23	3.14/21	3.15/20	3.06/19.2	-	-	-	-	-	-	-		1120	7 1/2	8980
9651	9155	8622	8028	7334	6439	4783	-	-	-	-	-	DP 83	1120	7 1/2	8980
3.65/26	3.79/26	3.89/25	3.94/24	3.95/23	3.86/22	3.43/21	-	-	-	-	-		1120	7 1/2	8980
9929	9448	8935	8371	7726	6933	5767	-	-	-	-	-	DP 83	1120	7 1/2	8980
3.88/27	4.02/27	4.13/26	4.20/25	4.22/24	4.17/23	3.94/22	-	-	-	-	-		1120	7 1/2	8980
10273	9810	9319	8787	8191	7488	6569	4737	-	-	-	-	DP 83	1120	7 1/2	8980
4.18/28	4.33/28	4.45/28	4.54/27	4.58/26	4.56/25	4.43/24	3.86/23	-	-	-	-		1120	7 1/2	8980
10684	10240	9773	9272	8722	8095	7335	6268	-	-	-	-	DP 83	1120	7 1/2	8980
4.56/30	4.72/30	4.85/29	4.95/29	5.01/27	5.03/26	4.96/25	4.74/24	-	-	-	-		1120	7 1/2	8980
10888	10453	9996	9509	8979	8382	7676	6748	4850	-	-	-	DP 83	1120	7 1/2	8980
4.76/31	4.92/30	5.06/30	5.17/30	5.24/28	5.26/27	5.22/26	5.06/25	4.38/25	-	-	-		1120	7 1/2	8980
11295	10875	10438	9976	9479	8932	8306	7547	6482	-	-	-	DP 83	1120	7 1/2	8980
5.17/32	5.34/32	5.49/32	5.62/31	5.70/30	5.75/29	5.75/28	5.66/27	5.40/26	-	-	-		1120	7 1/2	8980
11631	11224	10802	10358	9885	9370	8795	8123	7270	5883	-	-	DP 83	1120	7 1/2	8980
5.53/34	5.71/33	5.87/33	6.00/33	6.11/32	6.17/31	6.19/30	6.15/29	5.99/28	5.52/28	-	-		1120	7 1/2	8980
12233	11846	11447	11032	10594	10127	9618	9049	8386	7552	6248	-	DP 83	1120	7 1/2	8980
6.21/36	6.42/36	6.59/36	6.75/36	6.87/35	6.96/34	7.02/33	7.02/32	6.96/31	6.79/30	6.31/30	-		1120	7 1/2	8980
12499	12121	11731	11327	10903	10452	9966	9430	8820	8085	7088	-	DP 83	1120	7 1/2	8980
6.54/38	6.75/37	6.93/37	7.09/37	7.22/37	7.33/36	7.39/35	7.42/33	7.39/32	7.27/32	6.97/31	-		1120	7 1/2	8980
12632	12257	11872	11473	11055	10613	10137	9616	9028	8331	7424	5772	DP 83	1120	7 1/2	8980
6.71/38	6.92/38	7.11/38	7.27/37	7.41/37	7.51/36	7.59/35	7.62/34	7.60/33	7.50/32	7.26/32	6.51/31		1120	7 1/2	8980

Performance certified is for installation type B - free inlet, ducted outlet.  
 Power Ratings (BHP) does not include drive losses.  
 Performance ratings do not include the effects of appurtenances in the airstream.

The sound ratings shown are loudness values in fan sones @ 5' (1.5m) in a hemispherical free field calculated per AMCA Standard 301. Values shown are for installation type A - free inlet fan sone levels.

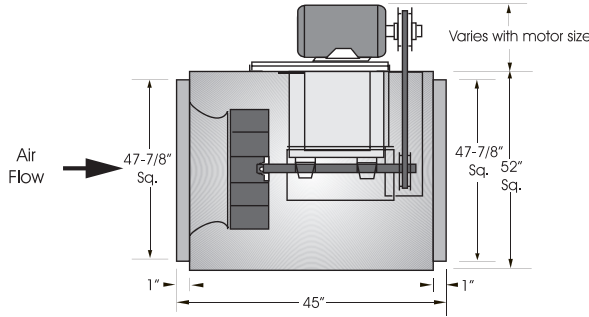


S&P USA Ventilation Systems, LLC., Div. of Soler & Palau Ventilation Group, certifies that the Models SQB shown herein are licensed to bear the AMCA Seal. The ratings shown are based on test and procedures performed in accordance with AMCA Publication 211 and AMCA Publication 311 and comply with the requirement of the AMCA Certified Ratings Program.





SQB 36



Outlet Velocity = CFM x 0.06
Tip Speed = RPM x 9.344
Maximum Motor Frame Size = 215T
Maximum RPM = 725
Maximum BHP at a Given RPM = (RPM/375)³

Unit Specifications
Housing Metal Thickness = 16 GA.
Approximate Weight = 600 lbs.

Table with columns: CFM / BHP @ Static Pressure / Sones (1/8 to 2), Drive Range (DP 84-89), RPM, HP, Tip Speed. Rows list performance data for various fan models.

Performance certified is for installation type B - free inlet, ducted outlet.
Power Ratings (BHP) does not include drive losses.
Performance ratings do not include the effects of appurtenances in the airstream.

The sound ratings shown are loudness values in fan sones @ 5' (1.5m) in a hemispherical free field calculated per AMCA Standard 301. Values shown are for installation type A - free inlet fan sone levels.



S&P USA Ventilation Systems, LLC., Div. of Soler & Palau Ventilation Group, certifies that the Models SQB shown herein are licensed to bear the AMCA Seal. The ratings shown are based on test and procedures performed in accordance with AMCA Publication 211 and AMCA Publication 311 and comply with the requirement of the AMCA Certified Ratings Program.

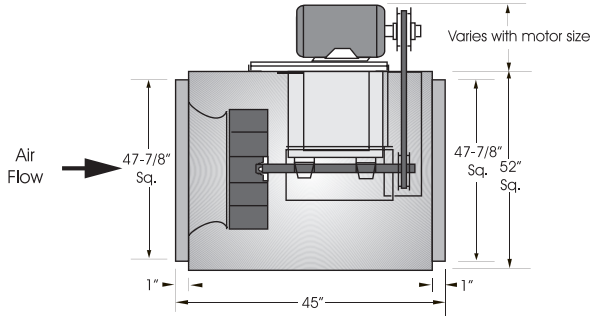




# MODEL SQB

## BELT DRIVE SQUARE INLINE CENTRIFUGAL DUCT FAN

### SQBHP 36



**Outlet Velocity = CFM x 0.06**  
**Tip Speed = RPM x 9.344**  
**Maximum Motor Frame Size = 215T**  
**Maximum RPM = 840**  
**Maximum BHP at a Given RPM = (RPM/426)<sup>3</sup>**

**Unit Specifications**  
**Housing Metal Thickness = 16 GA.**  
**Approximate Weight = 600 lbs.**

CFM / BHP @ Static Pressure / Sones								Drive Range	RPM	HP	Tip Speed
3/4	1	1-1/4	1-1/2	1-3/4	2	2-1/4	2-1/2				
5958	-	-	-	-	-	-	-	DP 91	475	1-1/2	4430
1.32/10.3	-	-	-	-	-	-	-				
6880	-	-	-	-	-	-	-	DP 92	495	1-1/2	4617
1.55/11.2	-	-	-	-	-	-	-				
7969	-	-	-	-	-	-	-	DP 93	525	2	4896
1.87/12.7	-	-	-	-	-	-	-				
8761	6961	-	-	-	-	-	-	DP 94	550	2	5130
2.15/14.0	2.05/13.4	-	-	-	-	-	-				
9495	8081	-	-	-	-	-	-	DP 95	575	3	5363
2.44/15.3	2.43/14.6	-	-	-	-	-	-				
10192	8992	6855	-	-	-	-	-	DP 96	600	3	5596
2.75/16.7	2.79/16.0	2.53/15.6	-	-	-	-	-				
10863	9806	8278	-	-	-	-	-	DP 97	625	3	5829
3.08/18.2	3.15/17.5	3.07/16.8	-	-	-	-	-				
11514	10561	9310	6845	-	-	-	-	DP 98	650	5	6062
3.43/19.5	3.53/18.8	3.53/18.2	3.06/18.0	-	-	-	-				
12150	11276	10195	8598	-	-	-	-	DP 99	675	5	6295
3.81/21	3.93/20	3.97/19.6	3.81/19.1	-	-	-	-				
12773	11964	11001	9728	7136	-	-	-	DP 100	700	5	6529
4.21/22	4.35/22	4.43/21	4.37/20	3.74/20	-	-	-				
13386	12631	11756	10671	9070	-	-	-	DP 101	725	5	6762
4.64/24	4.80/23	4.91/22	4.91/22	4.68/21	-	-	-				
13508	12762	11903	10847	9334	-	-	-	DP 102	730	5	6808
4.73/24	4.89/23	5.00/23	5.02/22	4.82/22	-	-	-				
13750	13023	12192	11188	9817	-	-	-	DP 103	740	5	6902
4.91/24	5.08/24	5.20/23	5.24/23	5.10/22	-	-	-				
14589	13918	13169	12304	11235	9693	-	-	DP 104	775	7 1/2	7228
5.58/27	5.77/26	5.92/25	6.01/25	5.99/24	5.72/24	-	-				
15181	14544	13842	13048	12108	10889	8781	-	DP 105	800	7 1/2	7461
6.10/28	6.30/27	6.47/27	6.58/26	6.62/26	6.49/25	5.86/25	-				
15768	15160	14499	13763	12915	11881	10442	-	DP 106	825	7 1/2	7694
6.64/30	6.86/29	7.04/28	7.18/28	7.26/27	7.22/27	6.93/26	-				
16117	15526	14887	14180	13378	12422	11174	8932	DP 107	840	7 1/2	7834
6.98/31	7.21/30	7.40/29	7.56/29	7.65/28	7.65/28	7.46/27	6.65/27				

Performance certified is for installation type B - free inlet, ducted outlet.  
 Power Ratings (BHP) does not include drive losses.  
 Performance ratings do not include the effects of appurtenances in the airstream.

The sound ratings shown are loudness values in fan sones @ 5' (1.5m) in a hemispherical free field calculated per AMCA Standard 301. Values shown are for installation type A - free inlet fan sone levels.

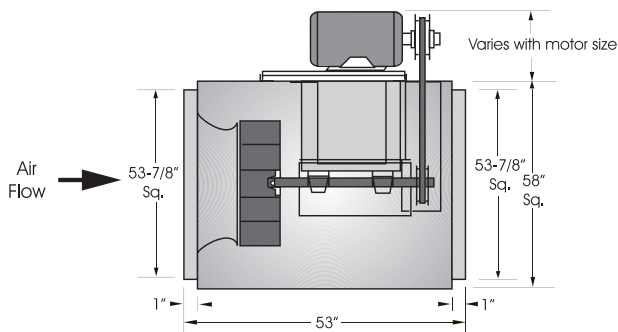


S&P USA Ventilation Systems, LLC., Div. of Soler & Palau Ventilation Group, certifies that the Models SQB shown herein are licensed to bear the AMCA Seal. The ratings shown are based on test and procedures performed in accordance with AMCA Publication 211 and AMCA Publication 311 and comply with the requirement of the AMCA Certified Ratings Program.





SQB 42



Outlet Velocity = CFM x 0.04  
Tip Speed = RPM x 10.995  
Maximum Motor Frame Size = 215T  
Maximum RPM = 565  
Maximum BHP at a Given RPM = (RPM/289)<sup>3</sup>

Unit Specifications  
Housing Metal Thickness = 16 GA.  
Approximate Weight = 725 lbs.

CFM / BHP @ Static Pressure / Sones								Drive Range	RPM	HP	Tip Speed
1/8	1/4	3/8	1/2	5/8	3/4	1	1-1/4				
11079 .96/7.9	8897 .94/8.3	-	-	-	-	-	-	DP 97	285	2	3134
12360 1.23/9.6	10509 1.23/10.2	7767 1.13/10.9	-	-	-	-	-		310	2	3409
13114 1.41/10.4	11406 1.42/11.1	9110 1.36/11.7	-	-	-	-	-		325	2	3574
14353 1.76/11.6	12829 1.77/12.2	10961 1.74/12.8	8114 1.58/13.5	-	-	-	-		350	2	3848
14843 1.91/12.1	13379 1.93/12.6	11629 1.91/13.3	9169 1.78/13.9	-	-	-	-		360	2	3958
15087 1.99/12.4	13651 2.01/12.9	11953 1.99/13.5	9638 1.88/14.1	-	-	-	-		365	2	4013
15573 2.16/12.9	14190 2.18/13.4	12583 2.17/14.0	10497 2.08/14.6	6669 1.71/15.4	-	-	-		375	3	4123
16299 2.42/13.7	14986 2.45/14.2	13494 2.45/14.7	11656 2.38/15.3	8917 2.17/16.0	-	-	-		390	3	4288
17498 2.91/15.1	16287 2.95/15.5	14945 2.96/15.9	13383 2.92/16.5	11381 2.80/17.2	8066 2.42/17.8	-	-		415	3	4563
17737 3.02/15.4	16543 3.06/15.7	15228 3.07/16.2	13708 3.03/16.8	11796 2.93/17.4	8831 2.60/18.0	-	-		420	3	4618
18213 3.24/16.0	17054 3.28/16.3	15786 3.29/16.8	14342 3.27/17.3	12581 3.18/17.9	10091 2.94/18.5	-	-	430	5	4728	
18925 3.59/17.0	17813 3.63/17.2	16609 3.65/17.7	15262 3.63/18.2	13676 3.57/18.8	11618 3.40/19.3	-	-	445	5	4893	
20106 4.22/18.8	19064 4.27/19.0	17950 4.29/19.3	16732 4.29/19.7	15353 4.25/20	13703 4.15/21	7488 3.17/22	-	470	5	5168	
21046 4.77/21	20053 4.83/21	19001 4.86/21	17865 4.87/21	16607 4.84/22	15158 4.77/22	10870 4.24/23	-	490	5	5388	
21281 4.92/21	20299 4.97/21	19261 5.01/22	18144 5.02/22	16911 5.00/22	15503 4.93/23	11477 4.46/24	-	495	5	5443	
22683 5.86/24	21765 5.92/24	20803 5.96/24	19782 5.99/25	18680 5.98/25	17463 5.94/26	14401 5.67/27	8269 4.39/28	525	7 1/2	5773	
23615 6.55/26	22734 6.62/26	21816 6.66/26	20849 6.69/27	19815 6.70/27	18692 6.68/28	15997 6.48/29	11784 5.76/30	545	7 1/2	5993	
24312 7.11/28	23457 7.17/28	22569 7.22/28	21638 7.26/28	20649 7.27/29	19584 7.25/30	17095 7.10/31	13563 6.57/32	560	7 1/2	6158	
24544 7.30/28	23697 7.36/28	22819 7.42/28	21899 7.45/29	20924 7.47/30	19877 7.45/30	17447 7.31/31	14082 6.83/33	565	7 1/2	6212	

Performance certified is for installation type B - free inlet, ducted outlet.  
Power Ratings (BHP) does not include drive losses.  
Performance ratings do not include the effects of appurtenances in the airstream.

The sound ratings shown are loudness values in fan sones @ 5' (1.5m) in a hemispherical free field calculated per AMCA Standard 301. Values shown are for installation type A - free inlet fan sone levels.



S&P USA Ventilation Systems, LLC., Div. of Soler & Palau Ventilation Group, certifies that the Models SQB & SQD shown herein are licensed to bear the AMCA Seal. The ratings shown are based on test and procedures performed in accordance with AMCA Publication 211 and AMCA Publication 311 and comply with the requirement of the AMCA Certified Ratings Program.

