



THE SLW SERIES

Triangle's "SLW" Series agriculture fans are designed to move and replace stagnant air in your buildings while shedding any water or snow buildup on the exterior. The "SLW" Series is ideal for livestock applications, greenhouses and many others and can be used to exhaust or circulate air in a building. They are offered in Direct or Belt Drive Models.



Features:

- Rugged heavy gauge galvanized housing, frame and blade
- IWS series exhaust shutter on Intake Side
- Galvanized welded bird screen on Discharge Side
- Rolled Inlet Venturi for efficient air flow
- Totally Enclosed motors
- Single Phase fans are Factory wired 230 volt and provided with a power cord and a molded plug
- Three Phase models available
- Belt Driven Fans are designed with Triangle's "X-Wing" Belt Tensioner providing low maintenance and extending the life of the belt and motor



BELT DRIVE SLW

- Rugged heavy gauge galvanized housing, frame and blade
- Galvanized welded bird screen on both front and back
- Rolled Inlet Venturi for efficient air flow
- Totally Enclosed motors

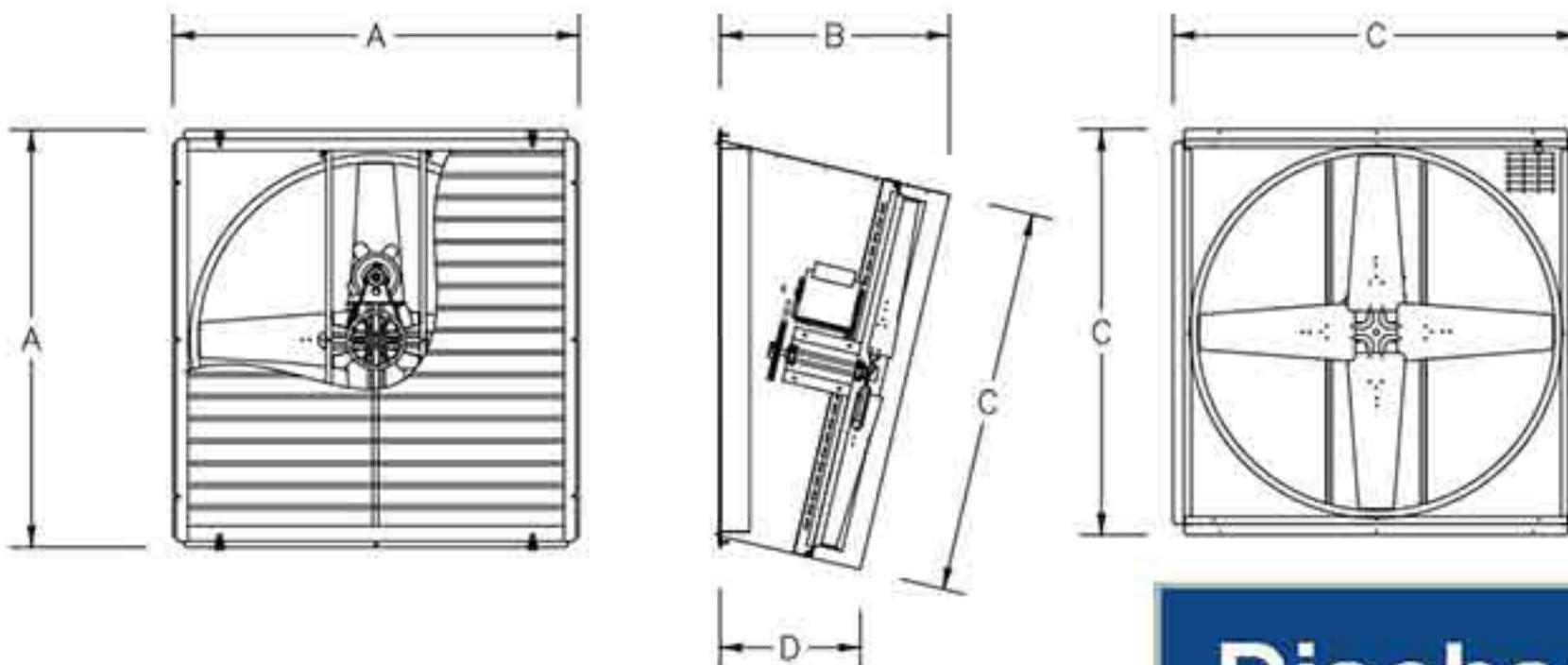
FOUR BLADE MODELS

Diameter	Model	Volts	HP	Amps	RPM	0.00" SP		0.05" SP		0.10" SP		Approximate Weight
						CFM	CFM/ Watt	CFM	CFM/ Watt	CFM	CFM/ Watt	
36"	SLW 3613	230/1	1/2	3.8	550	10,718	16.9	9,952	14.9	9,022	13.1	195
42"	SLW 4213	230/1	1/2	3.8	499	13,058	20.4	12,323	18.2	11,358	16.0	214
48"	SLW 4815	230/1	1	5.5	475	20,089	19.0	18,959	17.6	17,473	15.8	260

SIX BLADE MODELS

Diameter	Model	Volts	HP	Amps	RPM	0.00" SP		0.05" SP		0.10" SP		Approximate Weight
						CFM	CFM/ Watt	CFM	CFM/ Watt	CFM	CFM/ Watt	
36"	SLW 36136	230/1	1/2	3.8	550	11,340	16.9	10,973	15.3	10,507	14.0	212
42"	SLW 42136	230/1	1/2	3.8	499	14,018	20.9	12,653	18.5	12,000	15.9	235
48"	SLW 48156	230/1	1	5.5	475	20,477	22.6	19,396	20.2	18,331	18.5	272

*Performance data includes the effects of a shutter and discharge cone.



DIMENSIONS

Diameter	A	B	C	D	E
36"	42.00	30.00	40.50	20.50	40.50
42"	48.00	31.00	46.50	20.00	46.50
48"	54.00	32.00	52.50	19.50	52.50

Discharge Cones

- Increases airflow without increasing horsepower
- Galvanized Construction
- Must be ordered with fan
- Field assembly required, assembly hardware and wire guard included



Model	Size	Weight
PFC 36	36"	48
PFC 48	48"	63

AGRICULTURAL FANS: BELT DRIVE SLW

Triangle Engineering Inc. 1-501-982-7558 1101 North Redmond Rd, Jacksonville, AR 72076 www.trianglefans.com

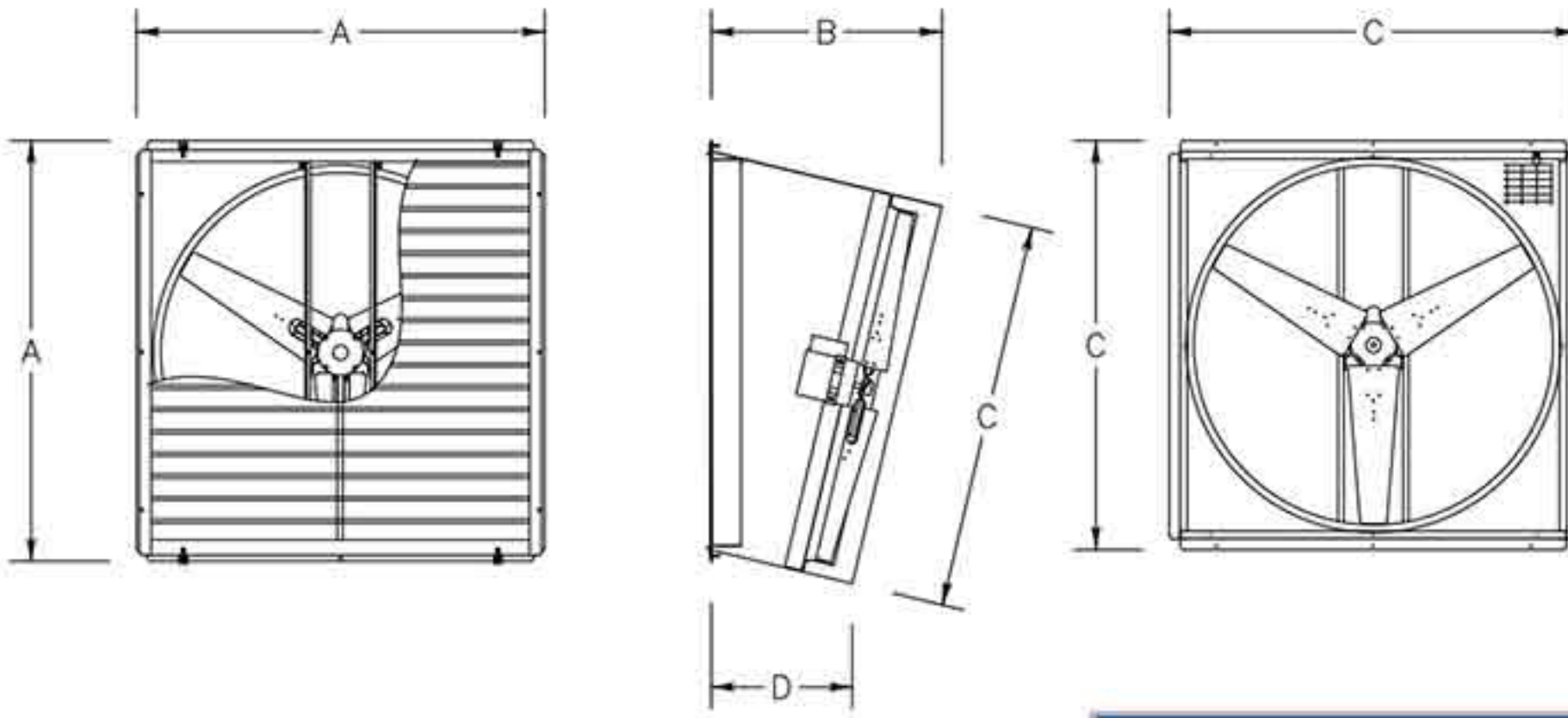


DIRECT DRIVE SLW

- Rugged heavy gauge galvanized housing, frame and blade
- Galvanized welded bird screen on both front and back
- Rolled Inlet Venturi for efficient air flow
- Totally Enclosed motors

Diameter	Model	Volts	HP	Amps	RPM	0.00" SP		0.05" SP		0.10" SP		Approximate Weight
						CFM	CFM/Watt	CFM	CFM/Watt	CFM	CFM/Watt	
36"	SLW 3613 D	230/1	1/2	3.0	852	10,220	16.8	9,410	14.6	8,420	13.1	187
42"	SLW 4213 D	230/1	1/2	3.0	810	12,210	18.5	10,680	15.4	9,170	12.3	196
48"	SLW 4815 D	230/1	1	4.6	827	18,600	18.3	17,000	15.7	15,400	13.4	237
48"	SLW 4815 D-460	230/460/3	1	2.6	827	18,600	18.3	17,000	15.7	15,400	13.4	237

*Performance data includes the effects of a shutter and discharge cone.



DIMENSIONS

Diameter	A	B	C	D	E
36"	42.00	30.00	40.50	20.50	40.50
42"	48.00	31.00	46.50	20.00	46.50
48"	54.00	32.00	52.50	19.50	52.50

Discharge Cones

- Increases airflow without increasing horsepower
- Galvanized Construction
- Must be ordered with fan
- Field assembly required, assembly hardware and wire guard included



Model	Size	Weight
PFC 36	36"	48
PFC 48	48"	63

AGRICULTURAL FANS: DIRECT DRIVE SLW

Triangle Engineering Inc. 1-501-982-7558 1101 North Redmond Rd, Jacksonville, AR 72076 www.trianglefans.com