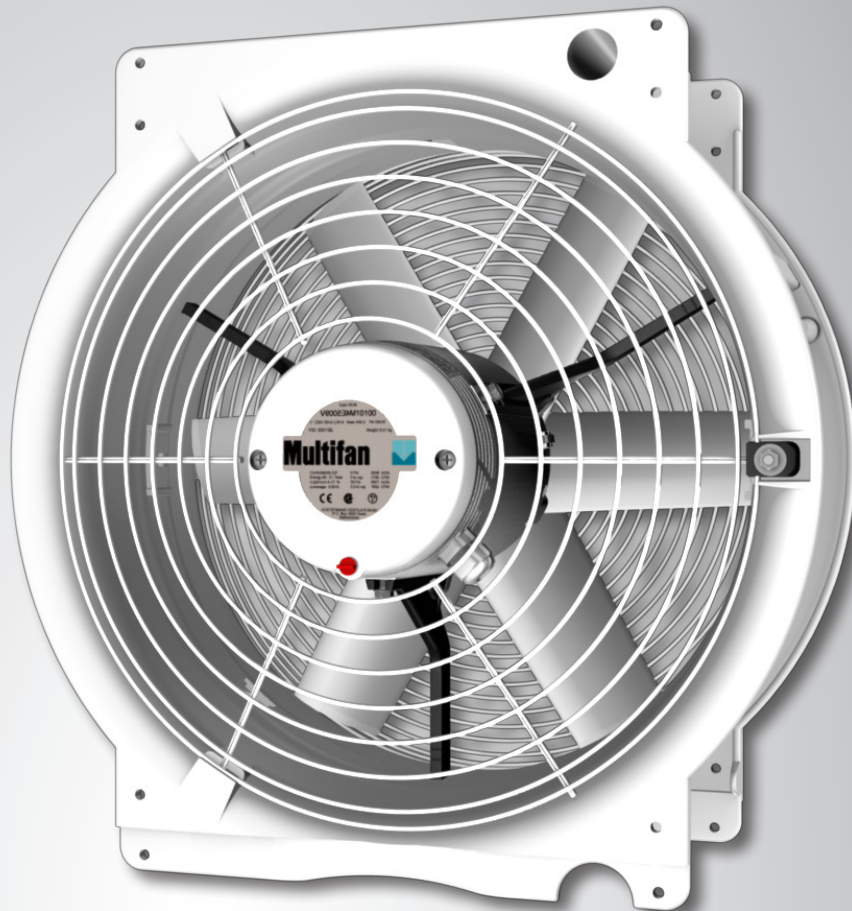


**Multifan**



# Recirculation fans

The next level of greenhouse energy efficiency



**VOSTERMANS**  
VENTILATION

YOUR SPECIALIST IN AIR



**The next level of energy efficiency**

The EU-Ecodesign directives for fans (Energy Related Product – ErP) and for motors (IE2/3/4) are leading in our development of new motors and fans for greenhouses. Before the year 2020 the Kyoto protocol targets 20% less energy consumption, 20% less CO<sub>2</sub> emission and 20% more sustainable energy.

A grower wants to optimize productivity, next to reducing carbon footprint. Active climate control guarantees growers uniform climate conditions resulting in less temperature differences (avoiding cold spots), better distribution and absorption of CO<sub>2</sub> and lowering the risk of humidity related diseases (botrytis). A crucial part of active climate control is the specific selection of the right fan, always based on your greenhouse conditions.



**Why choose this fan:**

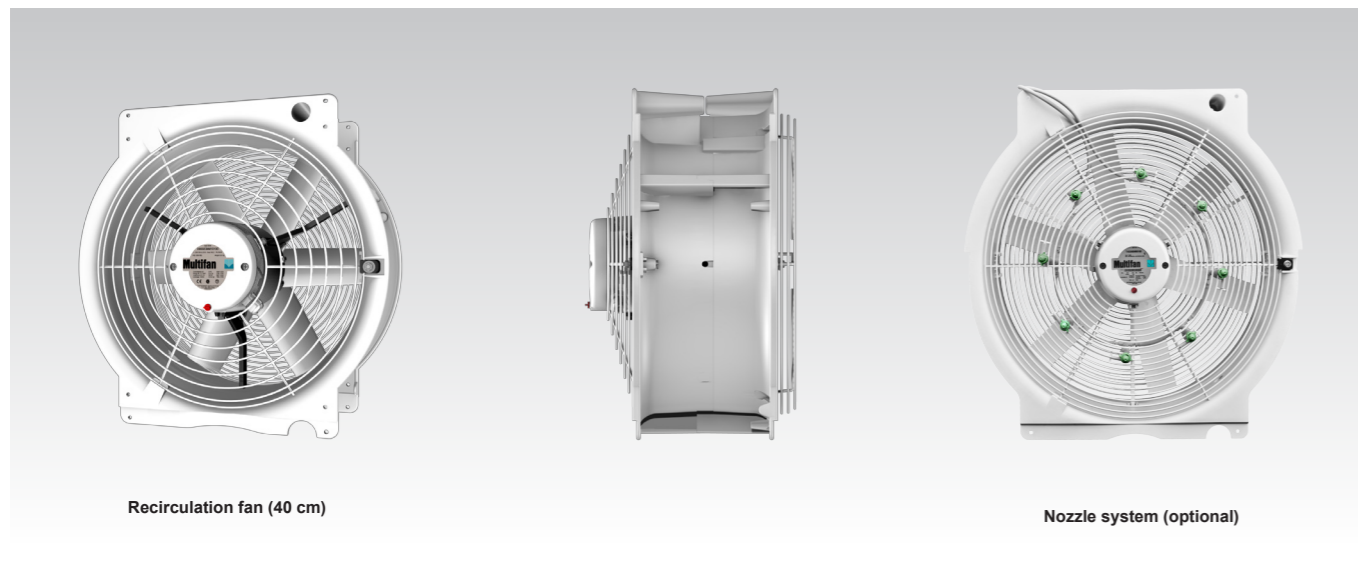
- Considerable increase in energy efficiency compared to previous versions
- To be ready for ErP2020 (check the data on next page)
- Easy to mount/remove wire guards
- Easy to maintain motor/impeller construction
- 3-year warranty

**Options:**

- Motors for different voltages and 50Hz or 60Hz.
- Three phase motor suitable for frequency control
- Cable + Plug (5 meters) for 230 V
- Built-in thermal protection for three phase
- Nozzle system set for 50 cm Recirculation fan
  - 8 Nozzles with hoses
  - Wire guard
  - Easy to install
  - Requested 4 bar water pressure

**Features:**

- Aerodynamic inlet radius for optimized air distribution
- High insulation class F / IP55
- Built-in thermal protection for single phase
- Housing suitable for suspension with profiles or chains
- Wire guards in accordance with CE-standards
- Serial- or parallel ventilation systems
- Reflecting white color for usage in greenhouses
- Compact design for less shadow



**Technical data**

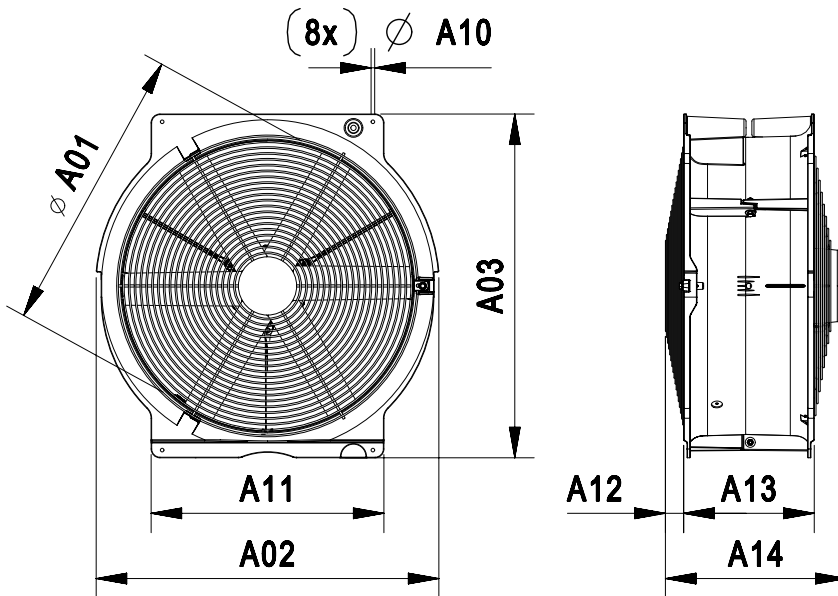
Power supply*****	ø (mm)	RPM	Type	Item	Pe (W)	I (A) nom	m3/h @ 0 Pa	dB(A) @ 7m*	Controllability**	ErP***	Throw (0,5m/s)****
1~ 230V 50Hz	420	1400	CIR 4E40	T4E40A6M80100	240	1,3	5350	56	T/E	2015	51m
3~ 230V/400V 50Hz	420	1395	CIR 4D40	T4D40A8M80100	230	1,1/0,6	5300	56	T/F	2015	51m
1~ 230V 50Hz	520	935	CIR 6E50	T6E50A1M80100	220	1,1	6600	53	T/E	2015	49m
1~ 230V 50Hz	520	1380	CIR 4E50	T4E50AAM80100	390	1,8	8950	55	T/E	2020	66m
3~ 230V/400V 50Hz	520	935	CIR 6D50	T6D50A4M80100	210	0,9/0,6	6600	53	T/F	2015	49m
3~ 230V/400V 50Hz	520	1400	CIR 4D50	T4D50AAM80100	410	1,80 / 1,1	9200	55	T/F	2020	68m
3~ 240V 60Hz	420	1600	CIR 4E40	T4E40K2M80100	270	1,2	5450	56	T/E	N.A.	49m
1~ 120V 60Hz	520	1140	CIR 6E50	T6E50K3M80100	200	1,9	6500	53	T/E	2015	48m
1~ 240V 60Hz	520	1140	CIR 6E50	T6E50KAM80100	190	0,8	6400	53	T/E	2020	47m
3~ 240V/420V 60Hz	520	1140	CIR 6D50	T6D50KBM80100	176	0,8/0,5	6400	53	T/F	2020	47m

\* Sound pressure level measured at 7 meter blowing distance  
 \*\* Controllable Electronically (E), by Transformer (T) or by option Frequency drive (F).  
 \*\*\* Compliance with either ErP2015 or ErP2020 directives  
 \*\*\*\* Throw is the distance at which the peak velocity has fallen to 0,5 m/s (measured in an infinite room without obstructions)  
 \*\*\*\*\* For any other request please contact our sales team





**Technical data**



Dimensions (mm)								
ø mm	A01	A02	A03	A10	A11	A12	A13	A14
420	420	515	520	6,5	365	26	216	309
520	520	620	620	6,5	420	33	236	327

**Why choose Vostermans Ventilation:**

**LOYAL TO YOU**  
 We care for your specific needs based on our long expertise. In close cooperation with you we secure your business outcomes.

**RELIABLE**  
 Since our foundation in the Netherlands in 1952, we maintain our reputation as reliable partner. Our carefully selected global network of independent distributors strive to deliver you dedicated service and expertise.

**FUTURE PROOF**  
 Our future proof approach, which combines energy efficiency solutions with robust quality and rigorous testing, is based on a genuine commitment to serve as a trusted partner.

Vostermans Ventilation is a global developer and manufacturer of sustainable axial fans for the agricultural and industrial market. Sustainability is key for Vostermans. Their premium brandlines Multifan and EMI are showcasing the drive for advanced energy efficient fans. The company applies continuous innovation and research in their own motor production facility and in house state of the art R&D department. Vostermans Ventilation, part of Vostermans Companies founded in 1952, is based in Venlo, the Netherlands and operates in USA, China and Malaysia.



YOUR SPECIALIST IN AIR

All rights reserved. Vostermans Companies is not responsible for inaccurate or incomplete data. In case of any questions and / or remarks please contact ventilation@vostermans.com. Subject to alterations 01/2017

Venlo - The Netherlands  
 Tel. +31 (0)77 389 32 32  
 ventilation@vostermans.com

Bloomington - USA  
 Tel. +1 309 827-9798  
 ventilation@vostermansusa.com

Tmn Klang Jaya - Malaysia  
 Tel. +60 (0)3 3324 3638  
 ventilation@vostermansasia.com

Shanghai - China  
 Tel. +86 21 5290 2889/2899  
 ventilation@vostermanschina.com