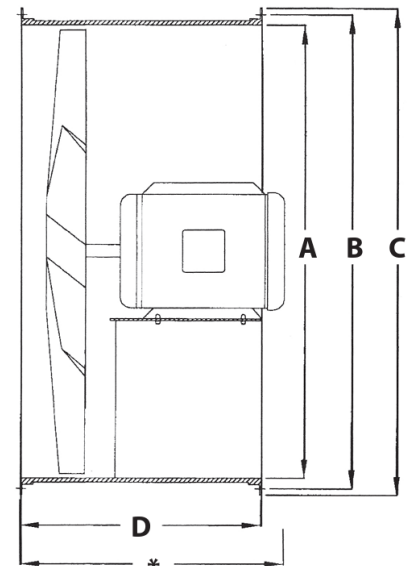
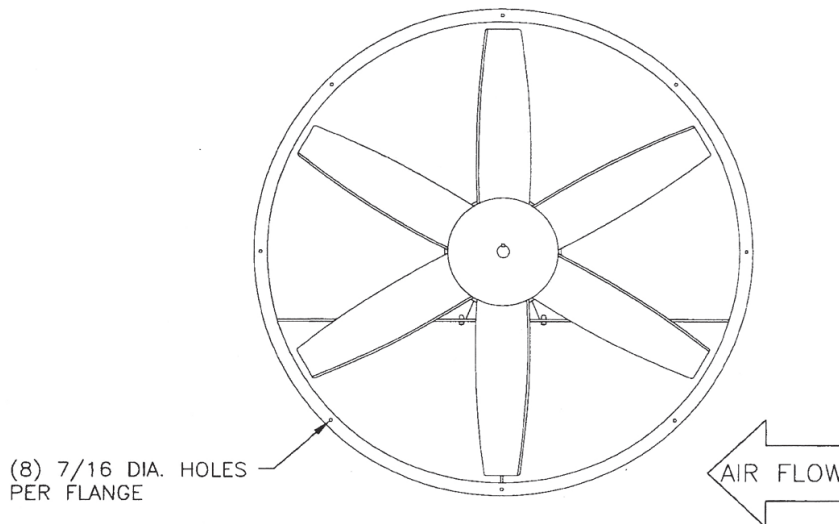


Designed for use in dry environments at a maximum of 104° Fahrenheit to economically remove fumes, dust or smoke. Suitable for use in the following applications:

- Air make-up systems where motor is in air stream
- Hazardous locations with explosion proof motor
- Harsh, dry environments when equipped with mill and chemical duty motors and special coating

FEATURES

- Spark resistant, heavy duty cast aluminum propellers
- Adjustable motor base allows for proper belt tension for maximum belt life
- Pulleys are rugged cast iron or turned steel



* Dimensions vary with motor

DIMENSIONS

Model	A	B	C	D
ND12	12"	13-1/8"	14"	14"
ND18	18"	19-1/8"	20"	14"
ND24	24"	25-3/4"	27"	18"
ND27	27"	28-3/4"	30"	18"
ND30	30"	31-3/4"	33"	18"
ND34	34"	35-3/4"	37"	18"
NDL36	36"	37-7/8"	39"	18"
NDL42	42"	43-9/16"	45"	18"
NDL48	48"	49-5/8"	51"	18"
NDL60	60"	61-5/8"	63"	36"

OPTIONAL ACCESSORIES

- Companion flanges
- Horizontal support legs
- Horizontal or vertical support brackets
- Inlet or outlet guards - OSHA compliant
- Inspection door
- Epoxy or urethane coatings

PERFORMANCE DATA

Blade Diameter	Model	Horse Power	RPM	Free Air	1/8" SP	1/4" SP	3/8" SP	1/2" SP	3/4" SP	1" SP	1-1/4" SP
12"	ND12-A	1/4	1725	1180	930	520	-	-	-	-	-
	ND12-C	1/2	3450	1875	1650	1400	1320	1250	1100	660	-
	ND12-D	3/4	3450	2044	1960	1920	1820	1650	1500	1100	-
18"	ND18-A	1/4	1725	3450	3050	2500	1200	-	-	-	-
	ND18-B	1/3	1725	3375	3000	2600	2000	1400	-	-	-
	ND18-C	1/2	1725	4150	3850	3150	2800	1700	-	-	-
	ND18-E	1	1725	4600	4375	4080	3600	3000	2100	1550	-
24"	ND24-A	1/4	1725	5200	4200	2820	1050	-	-	-	-
	NDL24-B	1/3	1140	4975	4690	4250	3920	2850	-	-	-
	ND24-C	1/2	1725	6510	5880	5200	4150	3100	1800	-	-
	ND24-D	3/4	1140	6900	6450	6265	5600	3300	-	-	-
	ND24-E	1	1725	7425	7000	6350	5850	5000	3300	1775	-
	ND24-G	2	1725	9525	9196	8810	8360	7980	6960	3000	-
27"	ND27-C	1/2	1725	7550	6820	6000	5100	4000	2000	-	-
	ND27-E	1	1725	9600	9000	8400	7775	7050	4800	-	-
	ND27-G	2	1725	11500	11200	10700	10000	9300	8000	5900	3600
30"	ND30-C	1/2	1725	8980	7650	6300	5400	4350	2300	-	-
	NDL30-D	3/4	1140	10440	9750	8750	7640	6000	-	-	-
	ND30-G	2	1725	12000	11250	10450	9600	8700	6000	4100	-
	NDL30-G	2	1140	14000	13750	12900	11850	10450	2500	-	-
	ND30-H	3	1725	16000	15350	14700	13850	12900	10200	8000	6000
34"	ND34-F	1-1/2	1725	13350	12100	10000	9100	7300	-	-	-
	ND34-G	2	1725	14850	13600	12100	10450	8800	4000	-	-
	NDL34-G	2	1140	15950	15100	13800	12500	11400	-	-	-
	NDL34-H	3	1140	19300	18290	17230	16000	14800	11614	4000	-
	ND34-I	5	1725	21000	19850	18900	18200	17500	14850	9300	-
36"	NDL36-G	2	1140	17620	16500	15200	13620	12300	8500	-	-
	ND36-H	3	1725	18500	17700	15700	15100	13900	11500	8550	-
	NDL36-H	3	1140	20500	19500	18500	17100	15850	11600	6500	-
42"	NDLL42-E	1	870	15800	15200	13480	12310	5800	900	-	-
	NDL42-G	2	1140	17964	17277	15326	13990	12351	7600	-	-
	NDLL42-G	2	870	22040	21000	20500	18500	15000	6000	-	-
	NDL42-H	3	1140	24500	23150	23000	22000	19650	14000	10000	-
	NDL42-I	5	1140	28970	27960	26840	25700	24200	19500	13800	2000
48"	NDL48-H	3	1140	28600	26500	24400	22000	20000	15900	11000	-
	NDLL48-H	3	870	28700	26500	24200	21600	18500	10000	-	-
	NDL48-I	5	870	33000	31500	29750	27650	25300	18000	-	-
60"	NDL60-I	7-1/2	870	47000	45500	43600	41000	38700	33000	24000	-
	NDL60-K	10	870	57200	54400	51000	48500	45000	38000	29500	-
	NDL60-L	15	870	60750	58875	56625	54375	51750	47625	42000	34500

MODEL NUMBER SCHEMATIC

