



## THE RVI SERIES

Triangle's "RVI" Series Belt Drive Industrial Supply Fans are designed to meet the supply airflow needs of factories, warehouses, gymnasiums, greenhouses, etc. "RVI" Series Belt Drive Industrial Supply Fans come standard with a Polyester Powder Coated Venturi to protect against corrosion as well as a heavy Gauge Galvanized Housing, also for corrosion resistance. All standard "RVI" models up to 1 ½ HP come equipped with Triangle's exclusive "X-Wing" Belt Tensioner which reduces maintenance and extends belt and motor life.

### Options:

- Two speed single phase motors up to 1/2hp, 115v only

### Features:

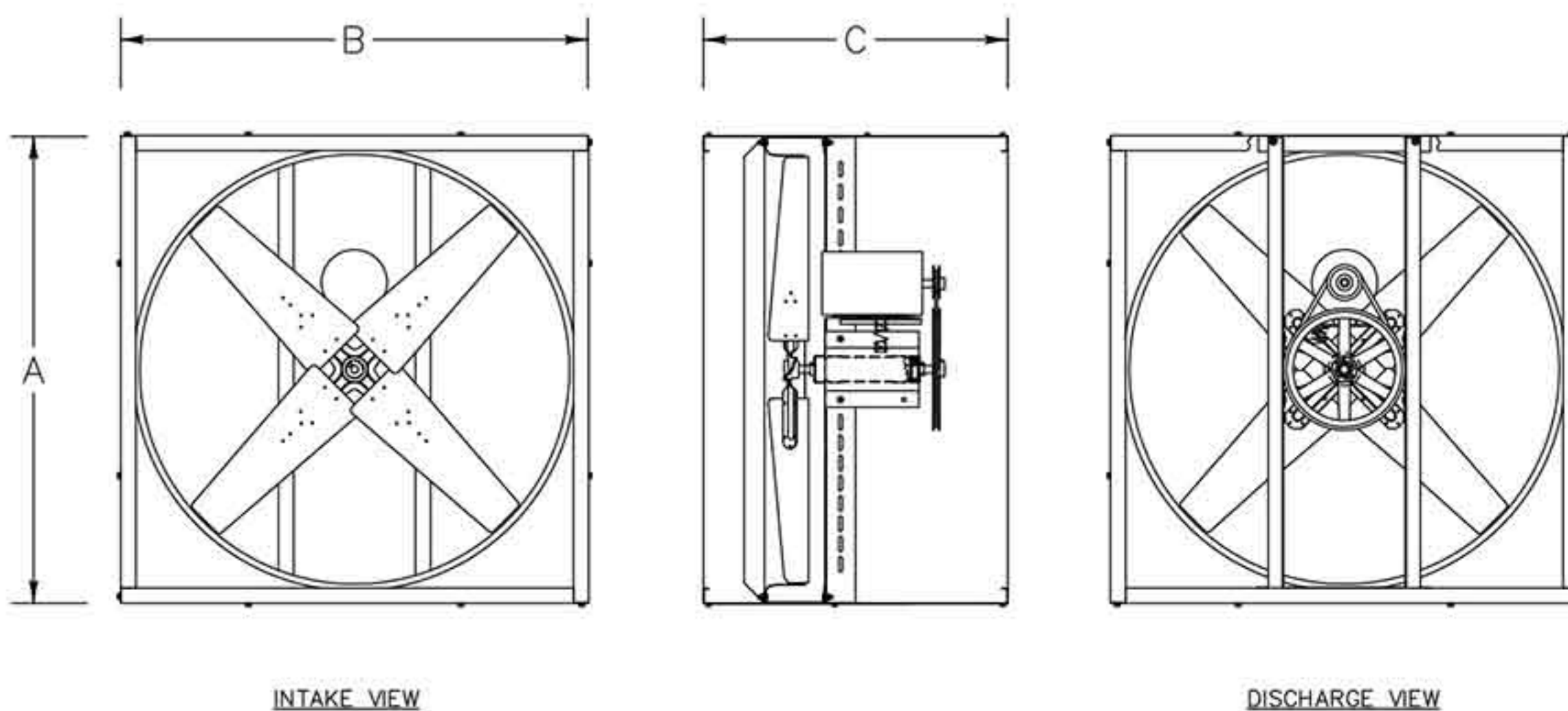
- Belt Drive
- Bronze Powder Coated Rolled Inlet Venturi for Efficient Airflow
- Rugged Heavy Gauge Galvanized Housing
- Available in sizes from 24" to 60" Blade Diameter
- Available with ODP and TE Motors





Diameter	HP	CFM 0.0 SP	0.125 SP	0.25 SP	0.5 SP	Weight(lbs)*	1-Phase		3-Phase	
							Open Drip Proof Motor 115V/230V	Totally Enclosed Motor 115/230V	Open Drip Proof Motor 230/460V	Totally Enclosed Motor 230/460V
24"	1/3	4,190	3,250	1,950	----	120	RVI2412-V (115V)	----	RVI2412-X	----
	1/2	5,000	4,250	3,430	----	125	RVI2413-V (115V) RVI2413-W (230V)	RVI2413T-U	RVI2413-X	RVI2413T-X
30"	1/3	7,080	6,050	4,940	----	128	RVI3012-V (115V)	----	----	----
	1/2	9,180	7,880	6,430	----	132	RVI3013-V (115V)	----	RVI3013-X	----
	3/4	9,840	8,650	7,190	----	135	RVI3014-U	RVI3014T-U	RVI3014-X	----
36"	1/2	10,800	8,840	6,550	----	150	RVI3613-V (115V)	----	RVI3613-X	----
	3/4	11,100	7,850	4,380	----	165	RVI3614-U	RVI3614T-U	RVI3614-X	RVI3614T-X
	1	12,100	9,030	5,970	----	175	RVI3615-U	----	RVI3615-X	----
	1 1/2	13,110	9,820	6,450	----	185	RVI3616-U	RVI3616T-U	RVI3616-X	RVI3616T-X
	2	12,780	11,790	10,800	8,250	190	RVI3617-U	----	RVI3617-X	RVI3617T-X
	3	15,400	14,200	13,000	9,970	200	----	----	RVI3618-X	RVI3618T-X
42"	1/2	13,000	9,730	4,270	----	190	RVI4213-V (115V)	----	RVI4213-X	----
	3/4	14,600	12,000	6,780	----	195	RVI4214-U	RVI4214T-U	RVI4214-X	----
	1	16,000	11,600	6,040	----	205	RVI4215-U	----	RVI4215-X	----
	1 1/2	17,200	14,700	10,800	----	220	RVI4216-U	----	RVI4216-X	----
48"	3/4	19,100	14,300	6,160	----	223	RVI4814-U	RVI4814T-U	RVI4814-X	----
	1	20,600	16,000	7,770	----	233	RVI4815-U	----	RVI4815-X	----
	1 1/2	21,500	16,400	10,400	----	236	RVI4816-U	----	RVI4816-X	----
	2	21,100	19,000	16,500	----	278	RVI4817-U	----	RVI4817-X	RVI4817T-X
	3	23,700	21,500	19,300	----	292	----	----	RVI4818-X	RVI4818T-X
	5	28,800	26,800	24,500	18,400	300	----	----	RVI4819-X	RVI4819T-X
54"	2	25,500	22,300	19,900	----	360	RVI5417-U	RVI5417T-U	RVI5417-X	RVI5417T-X
	3	29,800	27,100	24,600	----	370	RVI5418-U	----	RVI5418-X	RVI5418T-X
	5	37,300	35,000	32,600	26,500	380	RVI5419-W (230V)	----	RVI5419-X	RVI5419T-X
60"	2	30,800	27,800	23,900	----	440	RVI6017-U	RVI6017T-U	RVI6017-X	RVI6017T-X
	3	34,700	31,700	28,700	20,800	445	RVI6018-U	----	RVI6018-X	RVI6018T-X
	5	43,500	40,600	37,200	30,500	450	RVI6019-W (230V)	----	RVI6019-X	RVI6019T-X

\*All weights are approximate and measured in pounds



Dimensions "RVI" Series				
Diameter	HP	Height	Width	Depth
24"	ALL	30 3/4"	30 3/4"	30"
30"	ALL	34 3/4"	34 3/4"	30"
36"	ALL	40 3/4"	40 3/4"	30"
42"	ALL	46 3/4"	46 3/4"	30"
48"	ALL	52 3/4"	52 3/4"	30"
54"	ALL	62 7/8"	62 7/8"	30"
60"	ALL	68 7/8"	68 7/8"	30"

Performance shown is for installation type A: free inlet and free outlet and does not include the effects of accessories. All units are made to order and are not returnable.

## WALL MOUNT FANS AND SHUTTERS: RVI SERIES

Triangle Engineering Inc. 1-501-982-7558 1101 North Redmond Rd, Jacksonville, AR 72076 www.trianglefans.com