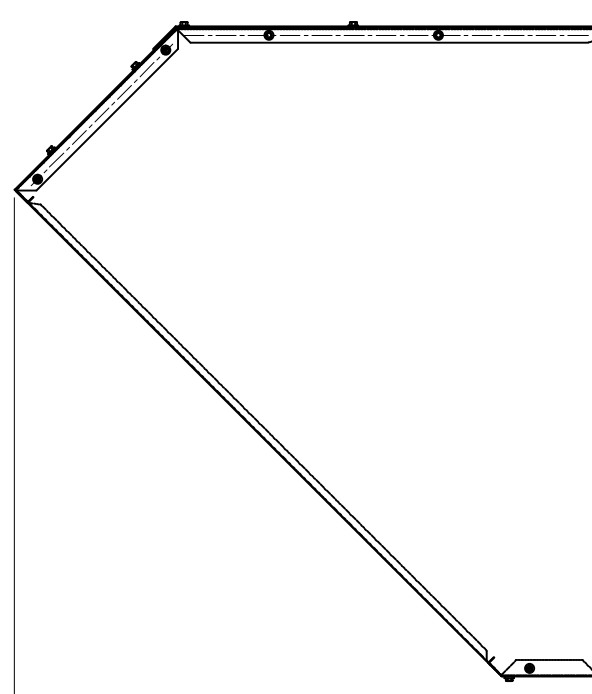



52 1/2"
HOUSING ONLY

55 1/4"
INCLUDES
FLANGES



45"

TRIANGLE ENGINEERING CERTIFIED DRAWING	
BY:	
FOR:	
DATE:	

 TRIANGLE ENGINEERING OF ARKANSAS, INC.	RH 48 OUTLINE DIMENSIONS	
	L-RH48	REV
DR. BY: TOM KING	CKD.	APP.
SHEET 1 OF 1	1/12 = 1	7 AUG 2003