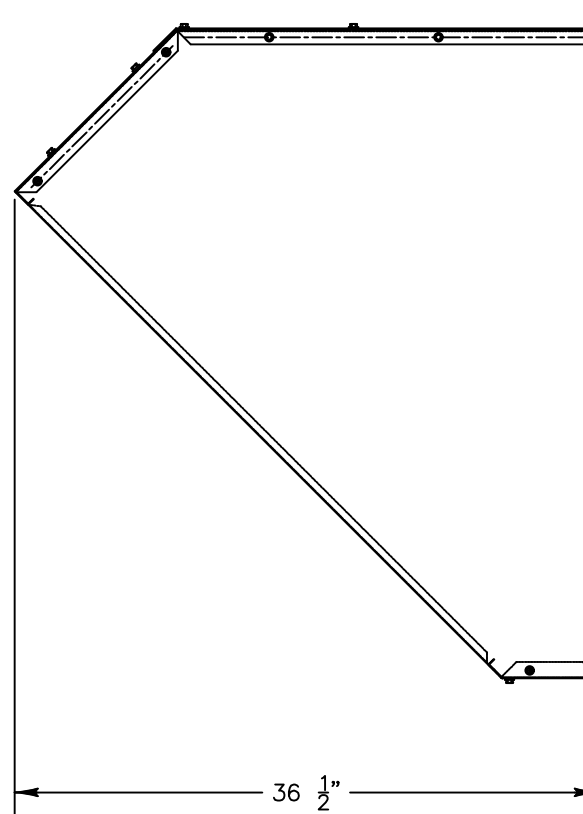



43 $\frac{1}{8}$ "
INCLUDES
FLANGES



	TRIANGLE ENGINEERING OF ARKANSAS, INC.		RH 36 OUTLINE DIMINIONS	
			RH36	REV
DR. BY:	DAVID EMBREY	CKD.	APP.	
SHEET	1	OF	1	NOT TO SCALE 17 AUG 2018