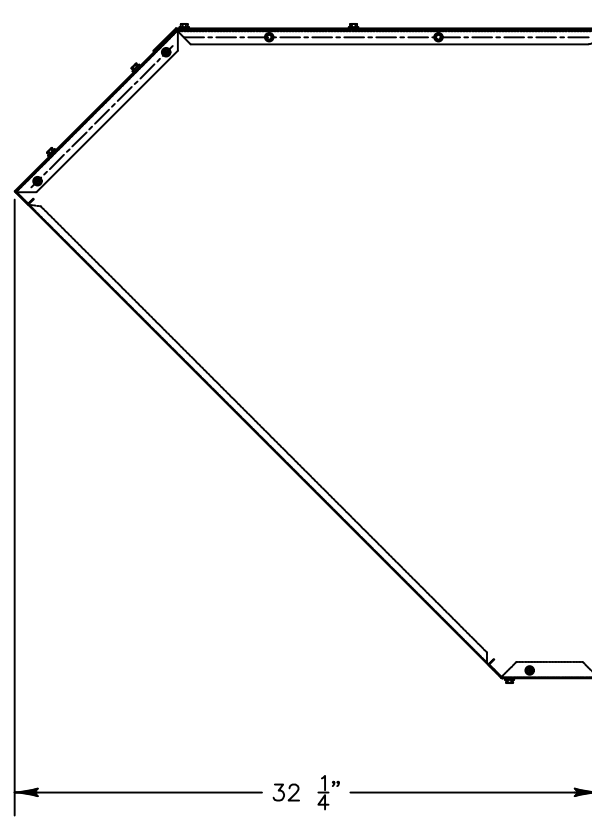



37  $\frac{1}{4}$ "  
INCLUDES  
FLANGES



 TRIANGLE ENGINEERING OF ARKANSAS, INC.	RH 30 OUTLINE DIMINSIONS		REV
	RH30		
DR. BY: DAVID EMBREY	CKD.	APP.	
SHEET 1 OF 1	NOT TO SCALE	17 AUG 2018	