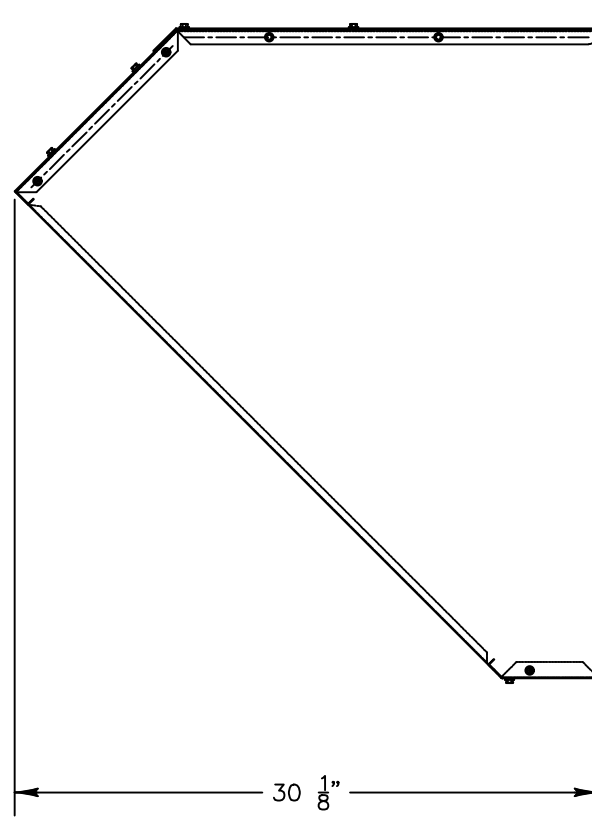



34"
INCLUDES
FLANGES

31 ⁵/₈"
HOUSING ONLY



30 ¹/₈"

 TRIANGLE ENGINEERING OF ARKANSAS, INC.	RH 24 OUTLINE DIMINSIONS	
	RH24	REV
DR. BY: DAVID EMBREY	CKD.	APP.
SHEET 1 OF 1	NOT TO SCALE	17 AUG 2018