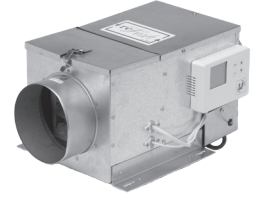




# ReFresh RF8-120AC-ES24V Submittal



RF8-120AC-ES24V

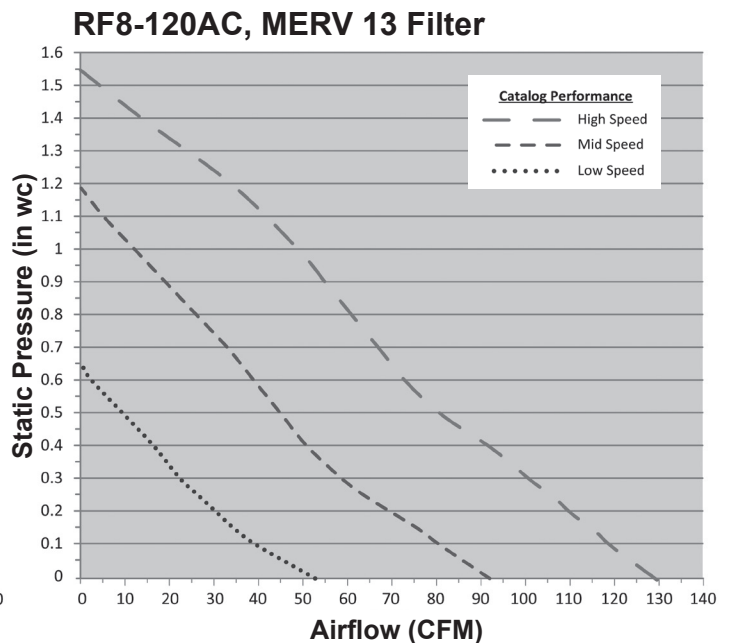
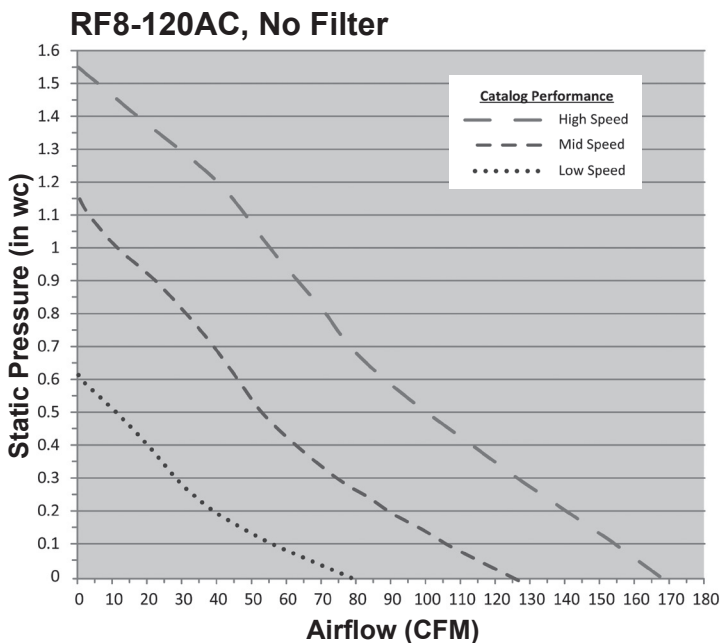


## Specifications

- ES24V – Envirosense Ventilation Control mounted to outside of unit
- Low profile, galvanized, 26 ga., insulated housing
- 6” round duct connectors
- Test port for easy air flow measurement
- 2” wide filter slot for optional 8 x 8 x 2” filters
- Integral mounting tabs allow mounting in any orientation
- Backward inclined wheel
- Speed controllable, AC motor, 120V, 60 Hz
- 4 pole, permanently lubricated, thermally protected motor
- Internally mounted speed control to set required intake with high, medium, and low set points
- 6’ power cord
- cULus 507 Listed

## Options and Accessories

- 8 x 8 x 2” MERV8 or MERV13 filters
- Steel backdraft dampers
- Motorized backdraft damper
- Duct heater





# ReFresh RF8-120AC-ES24V

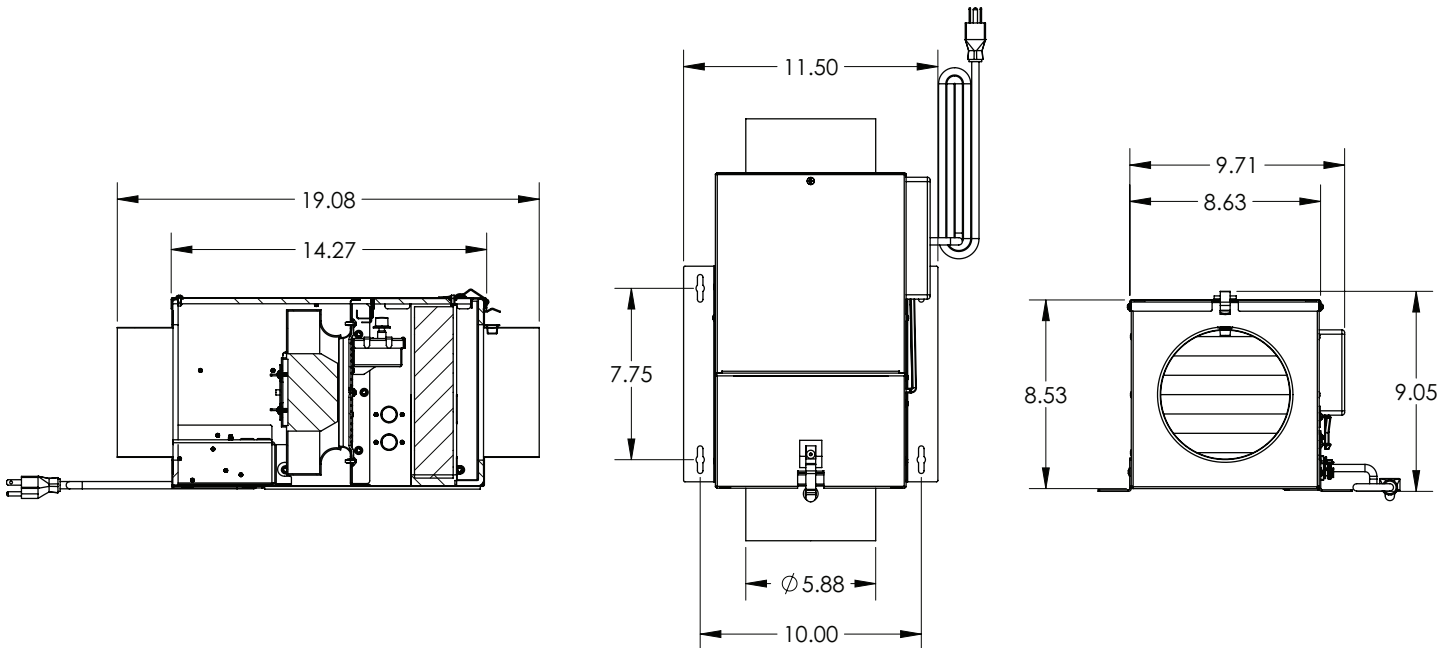
## Submittal

### HVI Certified Performance

Model	Speed Setting	Speed (RPM)	CFM @ Static Pressure (inches w.g.)								Amps @ .2" SP	Watts @ .2" SP	Efficacy (CFM/Watts) @ .2" SP
			0	.1	.15	.2	.25	.3	.4	.5			
RF8-120AC	LS	1480	79	57	48	40	34	29	21	-	0.48	37.3	1.2
	MS	2040	126	107	99	90	83	75	63	53	0.57	55.9	1.6
	HS	2500	167	154	147	140	133	126	113	100	0.63	74.1	1.9
RF8-120AC (With <i>MERV 13</i> Filter)	LS	1510	52	39	34	30	26	22	16	-	0.48	37.4	1.0
	MS	2090	92	81	76	70	64	59	51	45	0.58	56.3	1.4
	HS	2530	129	119	115	110	106	101	92	81	0.63	73.3	1.6

Speed is Nominal.

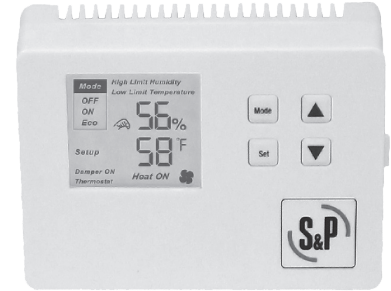
### Dimensions (in)





# ES24V - Envirosense Ventilation Control Submittal

The ES24V control can be used with our RF-reFresh, TD-MIXVENT, TD-SILENT, PV-POWERVENT, or TR-ERVs. When paired with S&P fans the ES24V provides fully controllable fresh air into a residence. With three modes (Off, On, and Eco-Mode) the ES24V ensures compliance with today's outside air codes.



- “Off” allows for manual override as required by the code
- “On” allows for continuous operation
- “Eco-Mode” allows homeowner to set humidity and/or temperature minimum and maximums. When min and max are sensed the fan will not bring in outside air. When the outside air is within the min and max range the fan will operate at the set time limit or continuously to meet the code requirements, i.e. 15 minutes every 4-hours

## Features

- Easy to read, back-lit LCD screen
- 24-volt control
- Simple setup with four-button interface
- Can be set to run supply fan continuously or intermittently or using Eco-Mode to turn fan off at set temperature/humidity
- Measures outdoor temperature to stop ventilation at adjustable high and low outdoor temperature lockouts
- Measures outdoor humidity to stop ventilation at adjustable high and low humidity lockouts
- Control programming maintains ASHRAE 62.2-2010 even during high and low temperature limit lockouts
- Installation flexibility – ability to override humidity and temperature control
- Inputs for optional duct heater and motorized damper

## Dimensions

