



# ReFresh RF10-160EC-ES24V Submittal



## RF10-160EC-ES24V



**Most Efficient  
2019**  
www.energystar.gov

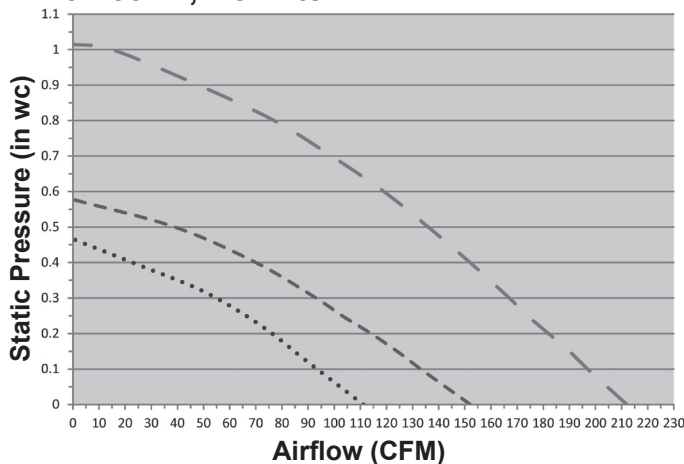
### Specifications

- ES24V – Envirosense Ventilation Control mounted to outside of unit
- Galvanized, 26 ga., insulated housing
- 6” round duct connectors
- Integral backdraft damper
- Test port for easy air flow measurement
- 2” wide filter slot for optional 10 x 10 x 2” filters
- Integral mounting tabs allow mounting in any orientation
- Backward inclined wheel
- Speed controllable, EC motor, 120V, 60 Hz
- 4 pole, permanently lubricated, thermally protected motor
- Internally mounted speed control to set required intake with high, medium, and low set points
- 6’ power cord
- ENERGY STAR® qualified
- AMCA Air and Sound Licensed
- HVI Certified performance with and without optional MERV13 Filters
- cULus 507 Listed
- UL 2043 - Suitable for Use In Air Handling Spaces

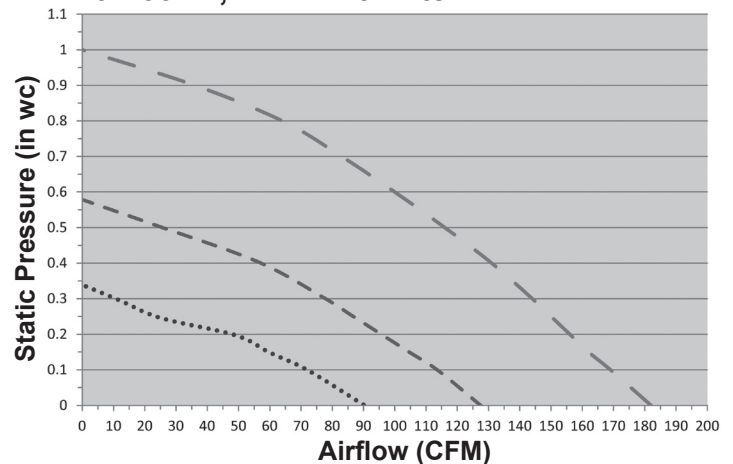
### Options and Accessories

- 10 x 10 x 2” MERV8 or MERV13 filters
- Steel backdraft dampers
- Motorized backdraft damper
- Duct heater

**RF10-160EC, No Filter**



**RF10-160EC, MERV 13 Filter**





# ReFresh RF10-160EC-ES24V

## Submittal

### HVI Certified Performance

| Model                               | Speed Setting | Speed (RPM) | CFM @ Static Pressure (inches w.g.) |     |     |     |     |     |     |     | Amps @ .2" SP | Watts @ .2" SP | Efficacy (CFM/Watts) @ .2" SP |
|-------------------------------------|---------------|-------------|-------------------------------------|-----|-----|-----|-----|-----|-----|-----|---------------|----------------|-------------------------------|
|                                     |               |             | 0                                   | .1  | .15 | .2  | .25 | .3  | .4  | .5  |               |                |                               |
| RF10-160EC                          | LS            | 1340        | 84                                  | 65  | 53  | 40  | 27  | -   | -   | -   | 0.13          | 7.5            | 7.1                           |
|                                     | MS            | 1730        | 139                                 | 120 | 110 | 100 | 91  | 78  | 52  | -   | 0.25          | 15.6           | 6.9                           |
|                                     | HS            | 2300        | 201                                 | 185 | 177 | 170 | 163 | 155 | 139 | 121 | 0.54          | 34             | 5.1                           |
| RF10-160EC<br>(With MERV 13 Filter) | LS            | 1340        | 68                                  | 52  | 42  | 30  | 19  | -   | -   | -   | 0.13          | 7.2            | 5.6                           |
|                                     | MS            | 1730        | 126                                 | 108 | 99  | 90  | 78  | 68  | 46  | -   | 0.26          | 15.6           | 5.8                           |
|                                     | HS            | 2300        | 176                                 | 162 | 156 | 150 | 143 | 136 | 121 | 105 | 0.56          | 35.5           | 4.2                           |

Speed is Nominal.

### AMCA Certified Performance

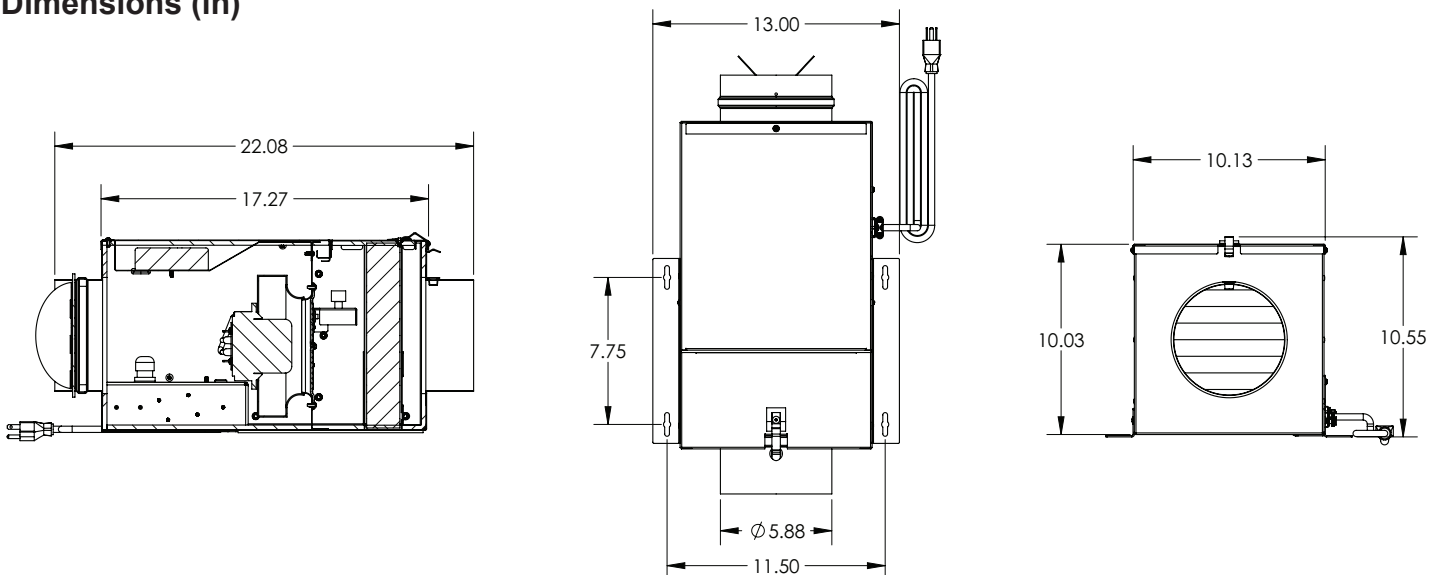
| Model                               | Speed Setting | Speed (RPM) | CFM @ Static Pressure (inches w.g.) |     |     |     |     |     |     |     | Sones @ .2" SP | Amps @ .2" SP | Watts @ .2" SP |
|-------------------------------------|---------------|-------------|-------------------------------------|-----|-----|-----|-----|-----|-----|-----|----------------|---------------|----------------|
|                                     |               |             | 0                                   | .1  | .15 | .2  | .25 | .3  | .4  | .5  |                |               |                |
| RF10-160EC                          | LS            | 1330        | 111                                 | 88  | 77  | 64  | 48  | 26  | -   | -   | 1.5            | 0.12          | 8.2            |
|                                     | MS            | 1730        | 152                                 | 133 | 124 | 114 | 103 | 93  | 70  | 39  | 3.4            | 0.23          | 15.7           |
|                                     | HS            | 2300        | 212                                 | 197 | 190 | 182 | 174 | 167 | 152 | 136 | 6.0            | 0.49          | 35.1           |
| RF10-160EC<br>(With MERV 13 Filter) | LS            | 1330        | 90                                  | 72  | 60  | 49  | 25  | 12  | -   | -   | 1.4            | 0.12          | 7.5            |
|                                     | MS            | 1730        | 127                                 | 113 | 104 | 95  | 86  | 77  | 56  | 24  | 3.7            | 0.22          | 15.7           |
|                                     | HS            | 2300        | 182                                 | 169 | 162 | 156 | 150 | 144 | 131 | 116 | 5.0            | 0.48          | 35.8           |

Speed is Nominal. Performance certified is for installation type D: Ducted inlet, Ducted outlet. Performance ratings do not include the effects of appurtenances.



S&P USA Ventilation Systems, LLC., Div. of Soler & Palau Ventilation Group, certifies that the Models RF10 shown herein are licensed to bear the AMCA Seal. The ratings shown are based on test and procedures performed in accordance with AMCA Publication 211 and AMCA Publication 311 and comply with the requirement of the AMCA Certified Ratings Program.

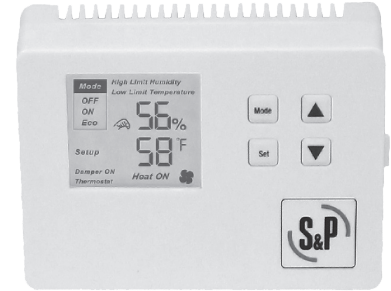
### Dimensions (in)





# ES24V - Envirosense Ventilation Control Submittal

The ES24V control can be used with our RF-reFresh, TD-MIXVENT, TD-SILENT, PV-POWERVENT, or TR-ERVs. When paired with S&P fans the ES24V provides fully controllable fresh air into a residence. With three modes (Off, On, and Eco-Mode) the ES24V ensures compliance with today's outside air codes.



- “Off” allows for manual override as required by the code
- “On” allows for continuous operation
- “Eco-Mode” allows homeowner to set humidity and/or temperature minimum and maximums. When min and max are sensed the fan will not bring in outside air. When the outside air is within the min and max range the fan will operate at the set time limit or continuously to meet the code requirements, i.e. 15 minutes every 4-hours

## Features

- Easy to read, back-lit LCD screen
- 24-volt control
- Simple setup with four-button interface
- Can be set to run supply fan continuously or intermittently or using Eco-Mode to turn fan off at set temperature/humidity
- Measures outdoor temperature to stop ventilation at adjustable high and low outdoor temperature lockouts
- Measures outdoor humidity to stop ventilation at adjustable high and low humidity lockouts
- Control programming maintains ASHRAE 62.2-2010 even during high and low temperature limit lockouts
- Installation flexibility – ability to override humidity and temperature control
- Inputs for optional duct heater and motorized damper

## Dimensions

