



RD - DIRECT DRIVE ROOF EXHAUSTERS

Sturdily constructed - ideal for industrial and commercial applications.

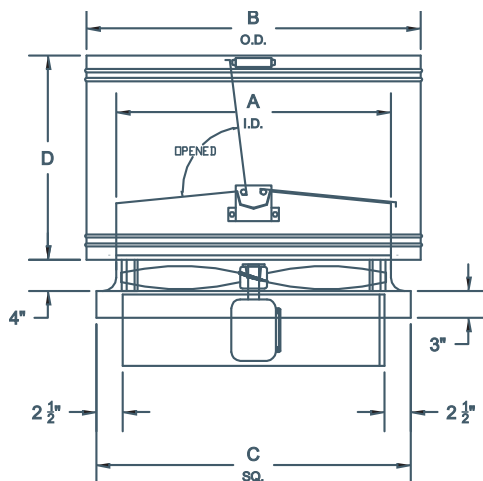


FEATURES

- Heavy duty galvanized blades.
- Galvanized steel wind-band and rain-proof butterfly dampers that rotate easily on brass bushings.
- TEFC, ball bearing motor is in the air stream, within the building, maximum ambient temperature of 40°C (104°F).
- Not recommended for dirty or dust laden applications.

DIMENSIONS

MODEL #	A I.D.	B O.D.	C SQ.	D
RD24	25"	31 1/2"	29 1/2"	19"
RD30	31"	37 1/2"	35 1/2"	22"
RD36	37"	43 1/2"	41 1/2"	25"
RD42	43"	49 1/2"	47 1/2"	27"
RD48	49"	55 1/2"	53 1/2"	30"



SPECIFICATIONS

BLADE DIAMETER	MODEL #		FAN RPM	H.P.	0" S.P.		1/8" S.P.		1/4" S.P.		3/8" S.P.		Min. CFM	dBA @ 10Ft.
	SINGLE PHASE	THREE PHASE			CFM	BHP	CFM	BHP	CFM	BHP	CFM	BHP		
	24"	RD24T10075C	RD24T30075C*	1140	3/4	6549	0.74	6017	0.78	5527	0.83	-	-	4700
24"	RD24T10100B	RD24T30100B*	1725	1	6761	0.89	6453	0.93	6128	1.00	5792	1.09	4700	81
	RD24T10300B	RD24T30300B*	1725	3	9909	2.57	9558	2.62	9207	2.68	8886	2.75	4700	84
30"	--	RD30T30150C*	1140	1.5	11600	1.31	10925	1.40	10193	1.49	9127	1.59	7300	79
	RD30T10500B	RD30T30500B*	1725	5	17552	4.53	17106	4.66	16661	4.80	16215	4.94	7300	90
36"	--	RD36T30200D*	860	2	16364	1.87	15172	1.99	13864	2.08	11597	2.15	10000	80
	--	RD36T30500C*	1140	5	21692	4.35	20793	4.52	19893	4.69	18903	4.80	10000	88
42"	--	RD42T30500C*	1140	5	23209	3.04	22619	3.29	21962	3.52	21019	3.70	14000	85
	--	RD42T30750C*	1140	7.5	32476	7.70	31490	7.70	30518	7.76	29586	8.02	14000	88
48"	--	RD48T30750D*	860	7.5	35654	5.93	33411	6.06	31857	6.34	30219	6.62	18000	89
	--	RD48T30750C*	1140	7.5	32564	4.95	31677	5.35	30688	5.68	29636	5.99	18000	92

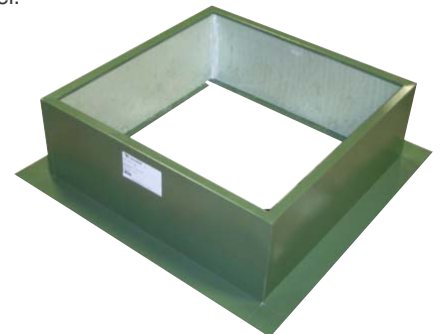
For three phase motors, substitute "*" with "M" for 208-230/460 volt or "P" for 575 volt
 BHP does not include drive losses
 dBA ratings shown are measured at 0" static pressure and should be used as a guideline only

ACCESSORIES

RC ROOF CURB

- For Canarm Roof Exhaust fans.
- Sturdy powder coated, 16 gauge steel.
- 3" flanges
- 1" SM insulation
- Damper shelf

FAN SIZE	MODEL NUMBER
18"	RC18
24"	RC24
30"	RC30
36"	RC36
42"	RC42
48"	RC48
54"	RC54
60"	RC60



DISCONNECT SWITCHES

- Wire disconnect switches are available.
 See Controls & Thermostats section for details.



Roof Exhausters are non-stock items and are non-cancelable and non-refundable without prior authorization.