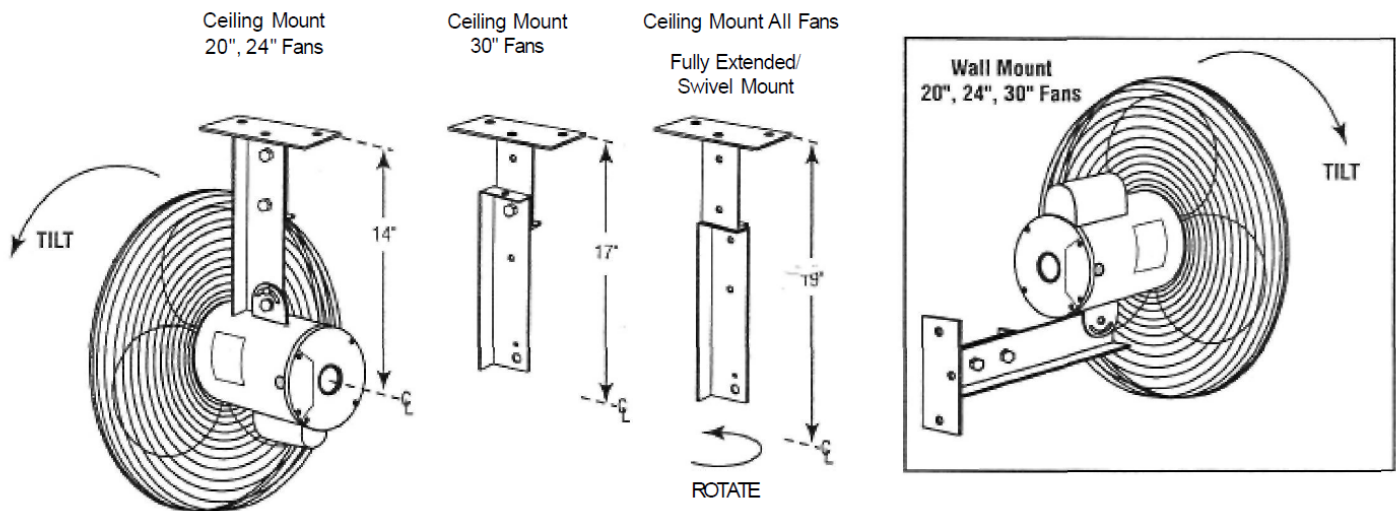


Fan Mount Installation

- After unpacking, check to make sure there is no damage to the guards or propeller.
- Fan should have as much clearance around it as possible.
- Secure 2 piece bracket to the mounting surface. Mount is designed to either be a wall mount or a ceiling mount as shown in illustration below.
- Secure the fan to the bracket using hardware provided. **Note:** Orientation of fan bracket as shown below will allow fan head to tilt.



Fan Mount Installation

- After unpacking, check to make sure there is no damage to the guards or propeller.
- Fan should have as much clearance around it as possible.
- Secure 2 piece bracket to the mounting surface. Mount is designed to either be a wall mount or a ceiling mount as shown in illustration below.
- Secure the fan to the bracket using hardware provided. **Note:** Orientation of fan bracket as shown below will allow fan head to tilt.

