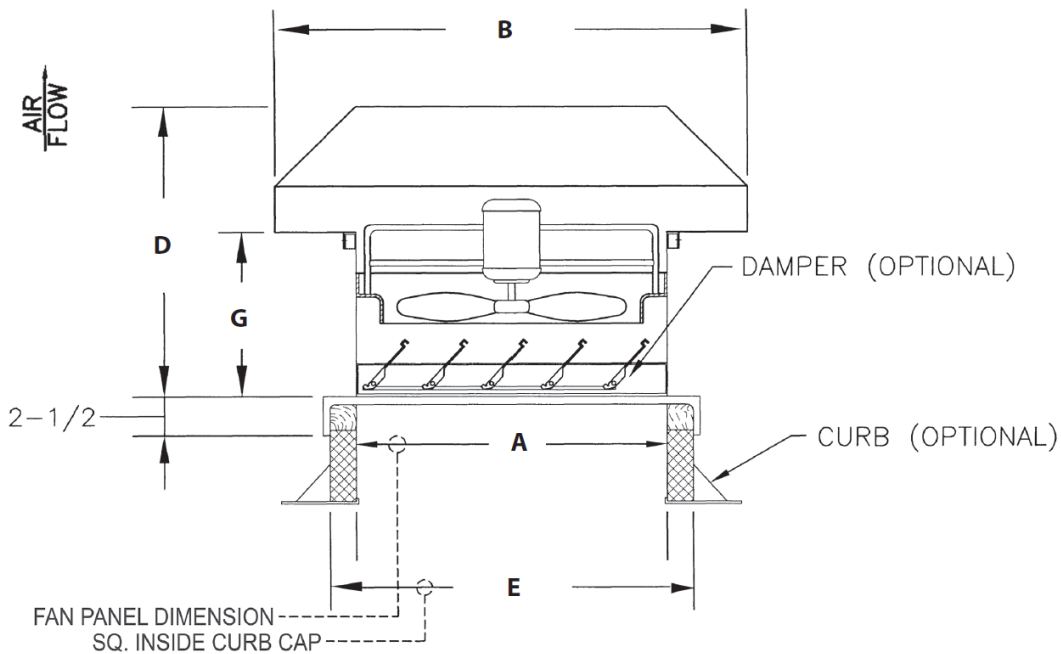


FEATURES

- Heavy gauge continuously welded curb cap provides watertight construction
- Non-sparking cast aluminum propellers available for hazardous locations
- Fabricated aluminum weather hood with removable birdscreen, easily opened and fully supported in place for full access to fan inside



DIMENSIONS

Model	A	B	D	E	G
N1924	30"	54" x 64"	41-1/2"	39"	28"
N1930	36"	60" x 76"	41-1/2"	45"	28"
N1936	42"	72" x 82"	45-1/2"	51"	30"
N1942	48"	80" x 89"	45-1/2"	57"	30"
N1948	54"	87" x 95"	49-1/2"	63"	32"
N1954	60"	92" x 98"	50-1/2"	69"	32"
N1960	66"	90" x 107"	54-1/2"	75"	34"

OPTIONAL ACCESSORIES

- Gravity, counterbalanced or motorized dampers
- Weatherproof non-fused disconnect switches
- Insulated roof curbs for flat or pitched roofs

PERFORMANCE DATA

Blade Diameter	Model	Horse Power	RPM	Free Air	1/8" SP	1/4" SP	3/8" SP
24"	N1924-A	1/4	780	4222	2807	1576	800
	N1924-C	1/2	980	5716	5061	4043	2600
	N1924-D	3/4	1140	6648	6144	5518	4413
	N1924-E	1	1250	6696	6271	5600	4464
30"	N1930-B	1/3	595	6380	3617	1808	767
	N1930-C	1/2	640	7170	4486	2724	1373
	N1930-D	3/4	770	9192	7657	5108	3833
	N1930-E	1	975	9959	8626	6828	5184
36"	N1930-F	1-1/2	1140	11867	11112	9656	8135
	N1936-B	1/3	460	6992	3722	1825	-
	N1936-C	1/2	530	8821	5985	3642	2084
	N1936-D	3/4	605	10583	8563	5545	4017
	N1936-E	1	665	11932	10299	7913	5729
42"	N1936-F	1-1/2	720	12012	9579	7240	5000
	N1936-G	2	870	15376	14088	11942	9691
	N1942-C	1/2	390	9352	4957	3050	1642
	N1942-D	3/4	435	11530	7633	4847	3311
	N1942-E	1	490	13194	10438	6414	4668
	N1942-F	1-1/2	550	15421	13117	9980	7289
48"	N1942-G	2	725	19128	17503	15264	11319
	N1942-H	3	830	22296	20984	19406	17290
	N1948-D	3/4	370	13700	7389	4283	2244
	N1948-E	1	410	16078	10908	6378	4037
	N1948-F	1-1/2	465	19010	14991	10950	7081
	N1948-G	2	520	21943	19080	15532	10125
54"	N1948-H	3	680	25683	23615	20820	16930
	N1948-I	5	800	30900	29290	27380	25000
	N1954-E	1	410	20588	17500	11640	9600
	N1954-F	1-1/2	450	22600	19300	12782	10316
	N1954-G	2	480	24312	20660	13642	11010
60"	N1954-H	3	550	28722	25830	21730	15420
	N1954-I	5	660	35238	32843	30298	26538
	N1960-E	1	280	19161	12850	-	-
	N1960-F	1-1/2	340	23283	15624	11434	8000
60"	N1960-G	2	390	26710	17924	13118	9380
	N1960-H	3	450	32356	25324	18705	15013
	N1960-I	5	540	41232	35819	29000	23237
	N1960-J	7-1/2	610	47000	43000	40000	32000

MODEL NUMBER SCHEMATIC

