



**Model Code:**

| PAW  | 12 | 15 | -SS | -ST |
|--|----|----|-----|-----|
| A  | B  | C  | D   | E   |
| <b>A: Series</b>                                     |    |    |     |     |
| <b>B: Volts: 12=120V 20=208V<br/>24=240V 27=277V</b> |    |    |     |     |
| <b>C: Watts (250 - 2250)</b>                         |    |    |     |     |
| <b>D: Stainless Steel</b>                            |    |    |     |     |
| <b>E: Slope Top</b>                                  |    |    |     |     |



- 304 stainless steel enclosure
- Pic-A-Watt® Element
- Multiple wattages
- Flange-mount wall can
- Manual reset high limit
- C-Frame motor
- Squirrel cage blower
- Patented Smart Limit Protection®
- Whisper quiet
- Slope top
- Approved for inspected vessels
- 3-year limited warranty



## The Stainless Steel PAW-SS Series

**The heater of choice in the boating industry.** This is the only electric heater specifically designed to be used in marine applications. It has all the great features of the Pic-A-Watt® heater (including a stainless steel grill, wall can and interior) enabling it to stand up to the corrosive environment on saltwater boats. The wall can is flanged for recess mounting into a wood bulkhead. Consult factory or review catalog for other models, including a high-efficiency motor and a Dial-A-Watt™ switch allowing you to change the wattage with a grill-mounted selector switch.

### Ordering Information \*Add suffix -ST for Slope Top Surface Can (required when surface-mounting on inspected vessels)

| MODEL      | UPC   | VOLTS | WATTS                            | AMPS     | SHIP WEIGHT lbs |
|------------|-------|-------|----------------------------------|----------|-----------------|
| PAW1215-SS | 16315 | 120V  | 250•500•750•1000•1250•1500       | 2.1-12.5 | 9.5             |
| PAW2022-SS | 00516 | 208V  | 500•750•1000•1250•1500•1750•2250 | 2.4-10.8 | 9.5             |
| PAW2422-SS | 16313 | 240V  | 500•750•1000•1250•1500•1750•2250 | 2.1-9.4  | 9.5             |
| PAW2720-SS | 00518 | 277V  | 1000•2000                        | 3.6-7.2  | 9.5             |

## Engineering Specifications

*Contractor shall supply and install PAW Stainless Steel Series in-wall mounted forced-air electric heaters manufactured by King Electrical Mfg. Company. Heaters shall be of the wattage and voltage as indicated on the plans.*

**Construction:** The heater wall can and heat box assembly will be of 20 gauge 304 stainless steel and have a depth gauge label on top of the wall can. Flanges on each side of the wall can will aid in mounting to wooden bulkheads. All fasteners are stainless steel or nickel plated. If surface mounting on a inspected vessel an angled top can will be used.

**Ratings:** Heaters shall be available in wattages of 250 to 2,250 at 120, 208, 240, or 277 Volts.

**Blower and Motor:** A tangential cylindrical blower, delivering 65 CFM, shall be driven by a shaded pole, permanently lubricated, C-frame type motor with impedance protection and sealed bearings. Motors shall be the same voltage as the heater.

**Elements:** Element assemblies shall consist of three steel sheathed heating tubes in a furnace-brazed, plate-finned, block design. Each sheathed tube shall contain coiled Ni-Chrome wire embedded in an insulator of Magnesium Oxide. The element assembly shall provide up to seven (7) possible wattage configurations available for selection during field installation. The use of external resistors, diodes, or other weak links to obtain multiple wattages will not be accepted.

**Thermal Overload:** Heaters shall be equipped with King's patented thermal overload Smart Limit Protection®, which disconnects elements and motor in the event normal operating temperatures are exceeded. If thermal overload trips due to abnormal operating temperatures, thermal overload shall remain open until manually reset by turning the heater off for fifteen minutes. Automatic reset of thermal overloads, which allow the element to continue to cycle under abnormal conditions, will not be accepted.

**Wall Can:** The wall can shall be 20 gauge stainless steel and shall contain a minimum of three (3) knockouts through which power leads are brought. The wall can shall have a depth gauge or flange and a factory installed Copper ground-wire. Minimum 4" clearance to floors and 6" to sidewalls. Zero clearance to combustibles in wall.

**Grill:** The grill shall be a louvered, one-piece design with square corners on all four sides. The grill shall be clear epoxy powder-coated.

**Approval:** Heaters shall be listed and approved by Underwriters Laboratories or equal.

# Stainless Steel PAW-SS Series

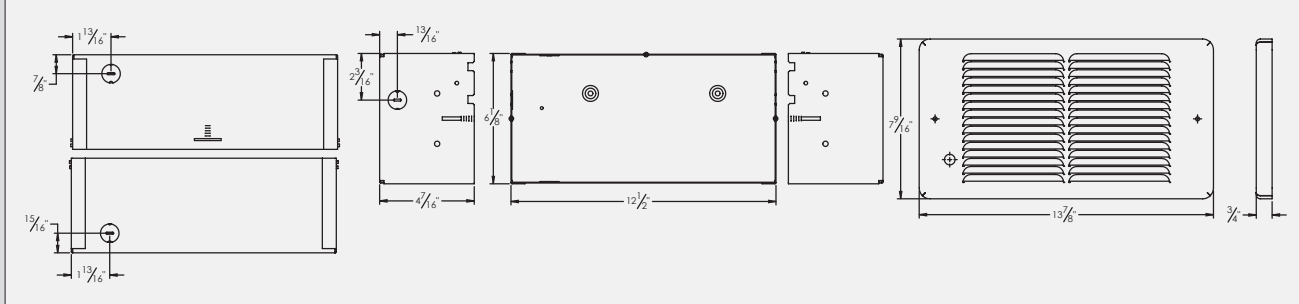
## Options

| ADD SUFFIX | DESCRIPTION   |
|------------|---|
| -ST        | Adds slope top wall can. Required on inspected vessels. |

## Accessories

| MODEL    | UPC   | DESCRIPTION  | SHIP WEIGHT lbs |
|----------|-------|--|-----------------|
| PAWF-SS  | 16318 | Bulkhead Can with Flange - Stainless Steel. Inspected vessel.  | 2               |
| PAWS-SS  | 16317 | Surface Can - Stainless Steel                                  | 2               |
| PAWG-SS  | 16330 | Marine Grille - Stainless Steel                                | 2               |
| TKIT-1BW | 20654 | Built-in Single Pole Single Throw Thermostat Kit, Bright White | 0.5             |
| TKIT-2BW | 20655 | Built-in Double Pole Single Throw Thermostat Kit, Bright White | 0.5             |
| TKIT-1A  | 11058 | Built-in Single Pole Single Throw Thermostat Kit, Almond       | 0.5             |
| TKIT-2A  | 11059 | Built-in Double Pole Single Throw Thermostat Kit, Almond       | 0.5             |

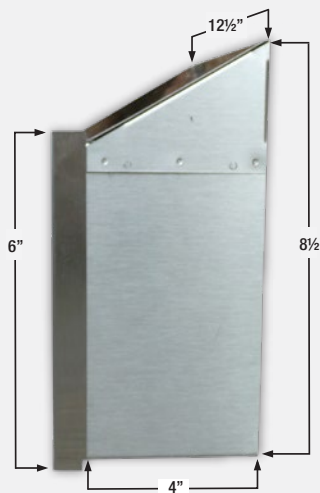
## Dimensional Data



## Also Available in a Slope-Top Surface Mounted Can



Intended for use on inspected vessels



## MINIMUM CLEARANCE

Zero clearance to insulation 4" above floor 6" from adjacent wall