



18" OUTDOOR WALL FAN



Model: ORB-18

OWNER'S MANUAL
PLEASE READ AND SAVE THESE
INSTRUCTIONS

Assembly & Operating Instructions

CAUTION: Read and follow all instructions before operating fan. Do not use fan if any part is damaged or missing.

WARNING: To reduce the risk of electrical shock, do not use this fan with any solid state speed control device.

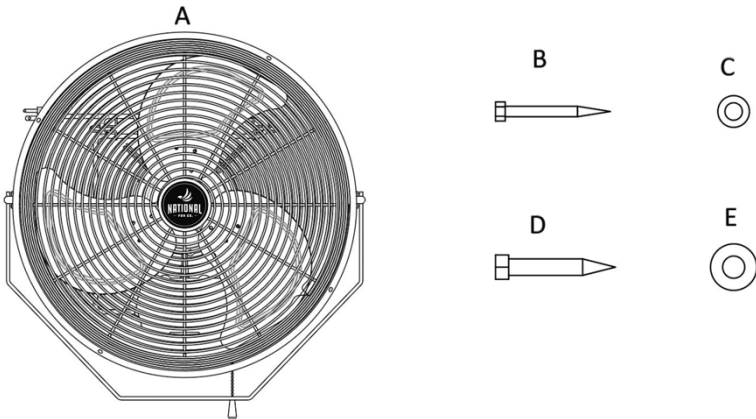
This outdoor fan can be used alone or with misting systems by adding a Mist Ring.

This appliance has a 3-prong grounded plug and **must be inserted into a matching grounded GFCI outlet for safe operation and to reduce the risk of electrical shock.**

Instructions for Safe Operation

- Never insert fingers or any other objects through the grill guard when fan is in operation.
- Always mount fan with the supplied bracket.
- Unplug the fan when removing guards for cleaning.
- Do not use with an extension cord.
- Do not place fan or any parts near an open flame, stovetop, cooking or other heat-generating appliances.

PACKAGE CONTENTS



Part	Description	Quantity
A	Fan	1
B	Wood Screw 6×65mm	1
C	Flat Washer φ6	1
D	Wood Screw 10×65mm	1
E	Flat Washer φ10	1

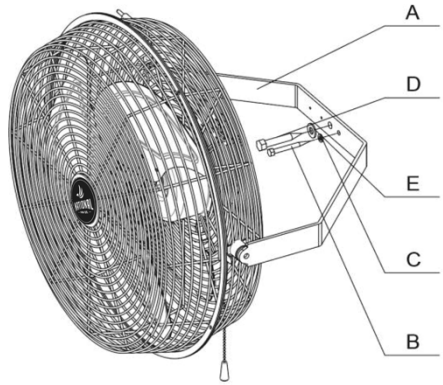
ASSEMBLY INSTRUCTIONS

Wall or Ceiling Mounting - Permanent Mounting Only

1. Locate solid wall stud or ceiling beam. Mark the center of the beam. If you do not have a solid structural framing member at that location, you will need to find an adequate alternative for mounting the fan.
2. Drill pilot hole for 3/8" lag bolt.
3. Secure with the hardware provided.

Fan can also be mounted to concrete with the appropriate fastener.

NOTE: Plug fan into a GFCI outlet to ensure safety.



OPERATING INSTRUCTIONS

To adjust airflow upward or downward: After installation, this fan can be tilted to adjust for desired airflow. Tighten pivot knob(s) on side of fan to retain desired angle.

Speed Control: Use pull chain switch for low, medium, or high speed, and to turn fan off. It is normal for the motor to feel warm to the touch after continuous operation. This fan features thermal protection that will automatically shut the fan off should it overheat for any reason. If this happens, immediately unplug the fan from the outlet.

CAUTION: To reduce the risk of electric shock, connect only to an outlet provided with a Ground Fault Circuit Interrupting device.

CLEANING INSTRUCTIONS

Unplug the fan from the outlet before cleaning. After servicing, all parts (including grills and blades) must be reinstalled or remounted as previously installed. Use soft damp cloth then wipe with dry cloth. Do not use harmful cleaners. Do not bend the blades. The motor bearings are permanently sealed and do not require additional lubrication.

Product Specifications

Model#: ORB-18

Voltage: 120V, 60Hz

Current: 1.45 Amps

Power: 168 Watts