

**NEW PRODUCT
for 2020**



Heats solid objects, not the air!



Features

- 2 Frosted Quartz Tube heating elements (included)
- Listed for suspended, totally exposed (outdoor) and indoor** spot heating applications
- Finish: High-temp brown powder coated finish or corrosion resistant stainless steel 20 gauge housing
- 75° Symmetric Heat Pattern
- Gold anodized Aluminum reflector and end caps
- 6" long lead wires for direct field connection
- Two 2' ft. long mounting chains and four S-Hooks included
- The OCH2-Series can be wall or ceiling mounted using the supplied mounting brackets which allow up to a 45° horizontal tilt adjustment
- Made in U.S.A.

Product Models

MFG CATALOG NUMBER	PAINTED BROWN	LIST	MFG CATALOG NUMBER	STAINLESS STEEL	LIST	WATTS	BTUs	VOLTS	AMPS	Qtz. Tube Repl. Element
	MFG MODEL NUMBER			MFG MODEL NUMBER						
04915502	OCH2-55-208V	508	04915902	OCH2-55-208V-SS	623	4000	13652	208	19.23	671-5062
04915602	OCH2-55-240V		04916002	OCH2-55-240V-SS				240	16.67	671-5063
04915702	OCH2-55-277V		04916102	OCH2-55-277V-SS				277	14.44	671-5064
04915802	*OCH2-55-480V		04916202	*OCH2-55-480V-SS				480	8.33	*671-5063
04916302	OCH2-66-208V	563	04916702	OCH2-66-208V-SS	653	6000	20478	208	28.85	671-5065
04916402	OCH2-66-240V		04916802	OCH2-66-240V-SS				240	25	671-5066
04916502	OCH2-66-277V		04916902	OCH2-66-277V-SS				277	21.66	671-5067
04916602	*OCH2-66-480V		04917002	*OCH2-66-480V-SS				480	12.5	*671-5066

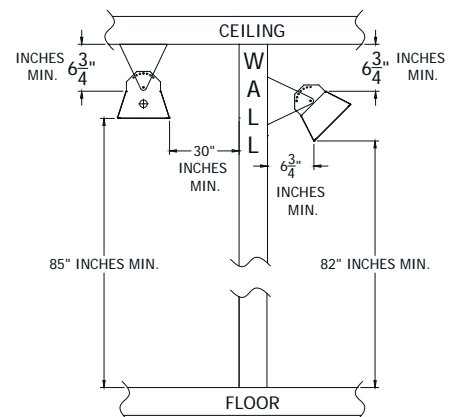
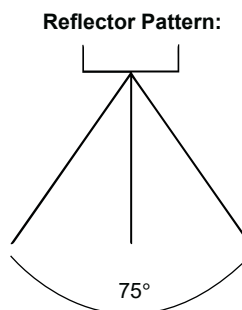
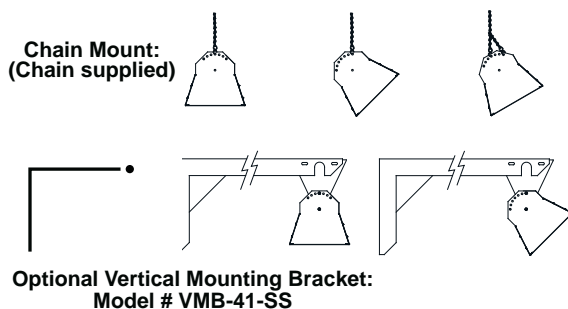
*480V models use (2) 240V elements wired in series

**Not for residential use

Mounting Configurations & Reflector Pattern

Mounting

- Chain, surface mount or use our vertical mounting bracket as shown below. Note: All units must be mounted horizontally.
- In-Built surface mounting bracket allows for fixture adjustment up to a 45° horizontal tilt.
- As shown, the heater may be suspended at any horizontal angle desired.



Mounting Clearances & Recommended Mounting Height

MOUNTING CLEARANCES	RECOMMENDED MOUNTING HEIGHT	
6-3/4" from ceiling; 30" from vertical surface 85" from face of heater to combustible surface 36" from another heater	OCH2-55	9'-11'
	OCH2-66	10'-12'